

# Core & Coil (71A) MH < 175W

CORE & COIL HID 71A5081001D

The basic ballast is the open core and coil which is most often used as a component within a lighting luminaire. The core and coil also forms the nucleus of Philips Advance's five other ballast configurations.

## Product data

### • General Information

ANSI Code	M130
Lamp Type	35/39W MH
Number Of Lamps	1 piece/unit
Circuit Type	HX-HPF
Ballast Type	Magnetic HID
Base Model	71A5081
Core Size	3 X 4 (2 coil)
Suitable For Outdoor Use	Yes
Ignitor Catalog Number	LI533-H4
Ignitor Temperature Rating	105°C
Capacitor Value	5 MFD
Capacitor Catalog Number	7C050L30RA
Capacitor Requirements	277V
Capacitor Temperature Rating	105°C
Capacitor Diameter/Oval Dimensions	1.25 in
Capacitor Height	2.25 in
Automatic Restart	No

### • Operating and Electrical

Input Voltage	120/277 V
Input Frequency	60 Hz
Input Current (Open Circuit)	0.9/0.4 A
Input Current (Starting)	0.5/0.22 A
Input Current (Short Circuit)	0.35-0.55/0.15-0.25 A

Secondary Short Circuit Current	0.6-0.75/0.6-0.75 A
Constant Wattage Deviation	10%
Ballast Factor (Nom)	1
Power Factor (Nom)	0.90
Open Circuit Voltage	230 V
Input Current (Nom)	0.45/0.2 A A
Input Power (Nom)	56 W
Rated Lamp Power	35/39W W

### • Wiring

Wire Striplength	0.5 mm
Wire Length By Color	12"
Wire Type	Stranded
Remote Wiring Configuration Allowed	Yes
Max Ballast-Lamp Distance Remote Wiring	15'
Recommended Fuse Value	3/1 A

### • Approval and Application

Open Circuit Voltage Test (Volts)	205-255 V
Approval Marks	ULR CSA certificate RoHS Compliant
Temperature Marking	B/A
UL Recognized	Yes

**PHILIPS**

## Core & Coil (71A) MH < 175W

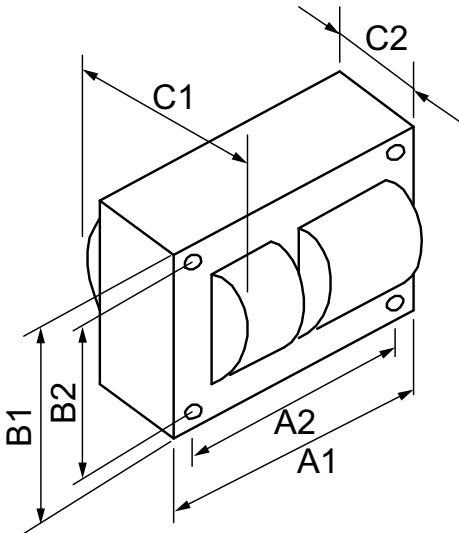
Hipot Test (1 Minute) 2000 V  
 Hipot Test (2 Seconds) 2500 V  
 UL Insulation Class H(180°C)  
 UL Temperature Code 1029B

EAN/UPC - Product 781087109854  
 Order code 913701147701  
 Numerator - Quantity Per Pack 1  
 Numerator - Packs per outer box 1  
 Material Nr. (12NC) 913701147701  
 Net Weight (Piece) 1.783 kg

### • Product Data

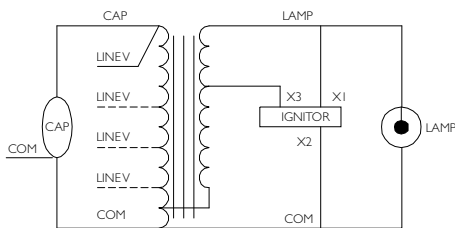
Order product name CORE & COIL HID 71A5081001D

### Dimensional drawing



### MH BAL 35/39W M130 120/277V KIT

Product	C1	C2	A1	A2	B1	B2
CORE & COIL HID 71A5081001D	2.1 in	0.8 in	3.9 in	3.5 in	2.8 in	2.4 in



© 2016 Philips Lighting Holding B.V.  
 All rights reserved.

Specifications are subject to change without notice. Trademarks are the property of Koninklijke Philips N.V. (Royal Philips) or their respective owners.

[www.philips.com/lighting](http://www.philips.com/lighting)

2016, February 1  
 data subject to change