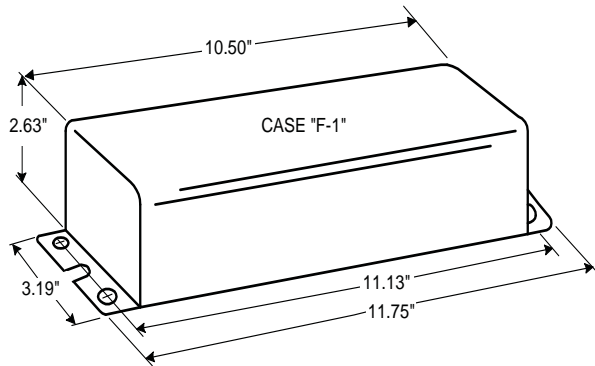


**PHILIPS
ADVANCE**

**Metal
Halide
Lamp Ballast**

**Catalog Number 72C5282
For 70W M98
60 Hz HX-HPF
Status: Active**

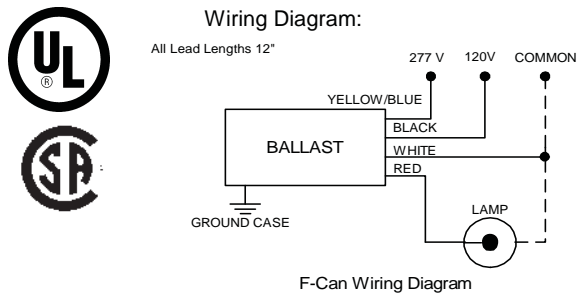
DIMENSIONS AND DATA



INPUT VOLTS	120	277			
CIRCUIT TYPE	HX-HPF				
POWER FACTOR (min)	90%				
REGULATION					
Line Volts	±5%				
Lamp Watts	±10%				
LINE CURRENT (Amps)					
Operating.....	0.85	0.37			
Open Circuit.....	1.60	0.75			
Starting.....	1.25	0.55			
UL TEMPERATURE RATINGS					
Insulation Class	A (105°C)				
Coil Temperature Code	1029				
MIN. AMBIENT STARTING TEMP.	-20°F or -30°C				
NOM. OPEN CIRCUIT VOLTAGE	255				
INPUT VOLTAGE AT LAMP DROPOUT.....	84	194			
INPUT WATTS	94				
RECOMMENDED FUSE (Amps).....	4	2			
CORE and COIL					
Dimension (A)					
Dimension (B)					
Weight (lbs.)	8.5				
Lead Lengths	12"				
CAPACITOR REQUIREMENT					
Microfarads					
Volts (min.)					
Fault Current Withstand (amps)					
60 Hz TEST PROCEDURES (Refer to Advance Test Procedure for HID Ballasts - Form 1270)					
High Potential Test (Volts)					
1 minute	1600				
2 seconds	2000				
Open Circuit Voltage Test (Volts)	230-280				
Short-Circuit Current Test (Amps)					
Secondary Current	0.95-1.20				
Input Current.....	0.55-0.85	0.25-0.40	-	-	-

Capacitor:

The capacitor is included as part of the potted assembly.



Ordering Information

Order Suffix	Description
IN CAN	

Ignitor: IN CAN

The ignitor is included as part of the potted assembly.

Ballast to Lamp Distance (BTL) = 10 feet
Temp Rating: 90°C

Data is based upon tests performed by Philips Lighting Electronic N.A. in a controlled environment and representative of relative performance. Actual performance can vary depending on operating conditions. Specifications are subject to change without notice.