



Centium T5

CENTIUM ELE BALLAST (2) F28T5 120-277V

Philips Advance Centium ballasts for T5 lamps at 120-277V are now available with our industry leading N-can at 9.5" x 1.3" x 1.0" or T-can at 14.17" x 1.18" x 1.06", which provides fixture manufacturers increased versatility in their newer generation fixture designs. These ballasts are compatible with all major energy-saving T5 linear lamps and have a variety of other features which makes them ideal for a variety of applications. The ballasts' programmed start ignition provides extended lamp life in frequent switching applications such as those where occupancy sensors are being used. They also feature lamp End-Of-Life (EOL) protection circuitry which safely removes power from the lamp at the end of lamp life.

Product data

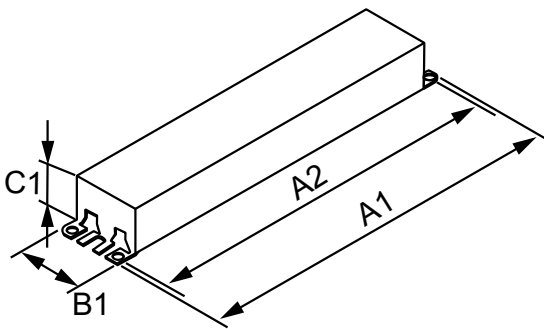
General Information		Input Current (Operating) (Max)	
Lamp Type	F28T5		0.53 A
Number of Lamps	1/2 piece/unit	Input Current (Operating) (Min)	0.23 A
Ballast Type	Electronic Fluorescent	Input Power (Nom)	63-62 W
Base Model	ICN2S28N	Rated Lamp Watts	28 W
Suitable For Outdoor Use	Yes	Wiring	
Automatic Restart	Yes	Color Input Terminals	No terminals
Operating and Electrical		Color Output Terminals	No terminals
Input Voltage	120 to 277 V	Wire Striplength	0.50/0.375 mm
Input Frequency	50 to 60 Hz	Lamp Connection	Series
Max THD	10 %	Wire Length By Color	See data sheet
Starting Method	Programmed Start	Wire Gauge (Nom)	18AWG mm
Lamp Current Crest Factor (Nom)	1.7	Wire Type	Solid
Ignition Time (Nom)	1.5 s	Remote Wiring Configuration Allowed	Yes
Ballast Factor (Nom)	1.03	Tandem Wiring Configuration Allowed	Yes
Power Factor (Nom)	0.98	Through Wiring Configuration Allowed	Yes
		Max Ballast-Lamp Distance Remote Wiring	20'

Centium T5

Max Ballast-Lamp Distance Tandem Wiring	Blue = 10'
Max Ballast-Lamp Distance Through Wiring	Blue = 10'
Connector Type	No connector
Temperature	
T-Case Maximum (Nom)	70 °C
Mechanical and Housing	
Housing Material	Metal
Housing	N
Housing Dimensions	9.5" x 1.3" x 1.0"
Approval and Application	
EMC Immunity Standard	FCC Non-Consumer
Approbation Marks	CSA certificate UL certificate CEC Listing FIDE Certificate NOM certificate RoHS Compliant

Sound Rating	A
UL Recognized	No
Product Data	
Order product name	CENTIUM ICN2S28N35I
EAN/UPC - Product	781087080726
Order code	ICN2S28N35I
Local order code	504506
Numerator - Quantity Per Pack	1
Numerator - Packs per outer box	10
Material Nr. (12NC)	913710891601
Net Weight (Piece)	373.000 g

Dimensional drawing



ELE BALLAST (2) F28T5 120-277V

Product	A1	A2	B1	C1
CENTIUM ICN2S28N35I	9.50 in	8.90 in	1.30 in	1.00 in

