

DEEP BOWL SHADES

PREPARED BY: _____

TYPE: _____

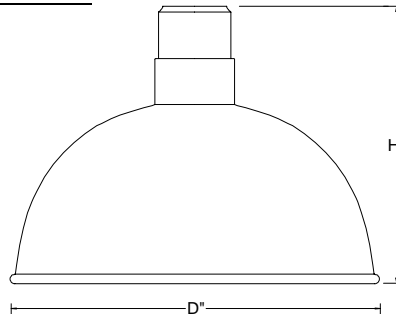
JOB NAME: _____

DATE: _____

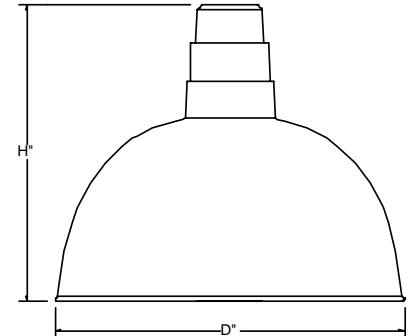
CERTIFICATION: UL LISTED

MODEL#	D"	H"
D610	10	10
D612	12	13
D616	16	14
D618	18	16
D627	27	17

D610-D616



D618 & D627



FINISH-Five stage pretreatment process, coated with a lead free TGI C polyester powder coat finish. White is standard inside reflectors, Except #49-Galvanized, #62-Anodized Bronze and #63-Iron Rust, Unless specified. Custom colors and Marine are available upon request.

MOUNTING- 1/2" or 3/4" tapped hub is supplied. Top or side mount available. Fixtures are pre-wired with 48" or 96" leads. Available with cord or stem sets.

REFLECTOR- Spun from heavy gauge 1100-0 aluminum, ranging in thickness from .050 to .125. Galvanized is from 20 gauge sheets. Copper is spun from .040 gauge and 110 soft alloy.

LAMP HOLDERS- Accommodates **Incandescent** medium base porcelain socket, copper shell with nicked plate, rated 250V, 660W. **Compact Fluorescent** 4 pin heat resistant thermoplastic socket accommodates 26/32W (Gx24q-3 base) and 42W (Gx24q-4 base). Twist lock design provides for vibration and earthquake resistance, rated 75W, 600V. **High Intensity Discharge (H.I.D.)** medium base, 4KV pulse start socket, rated 660W/600V. **LED**. A minimum of 60,000 hours to 100,000 expected life depending on installation location and ambient temperature.

MODEL#	FINISH		LIGHT SOURCE				MOUNTING OPT.
			INC	CF ¹	HID ¹	LED ¹	
D610	40-copper w/ coat	53-rust	200W	26W or 32W	35W OR 50W	10W	-Arm extension -Post Mts & Pole -Stem -Cord ² -Cable & Chain -Hub
D612	41-black 42-dr. green 43-red 44-white	54-stucco 55-sage 57-polish alum w/ coat 58-satin alum. clear coat					
D616	45-med. blue 46-yellow 48-polish alum. 49-galvanized	59-coppertone 60-canal green 61-anod. charcoal	300W	1X26W 1X32W 1X42W	35,50,70, 100 OR150W	36W	
D618	50-navy blue 51-arch. Bronze 52-patina	62-anod. bronze 63-iron rust					
D627				2X26W 2X32W 2X42W	35,50, 70,100, 150 OR 175W	57W 93W	

¹REMOTE BALLAST/DRIVER²INC MAX WATTAGE 150W

CALL FACTORY FOR HIGHER WATTAGE



PHONE: 877-999-1990

FAX: 877-999-1955

12260 EAST END AVE. CHINO, CA 91710