

Specifications/Features

Fixture

Add a splash of color with these decorative pendants.
Designed for retail and commercial applications.
Installation options include cable or stem mono-point ceiling canopies.
Suspension options include 120" field adjustable flexible cable with aircraft cable supports or various rigid stem lengths (sold separately). Rigid Stem does not include aircraft cable. Maximum allowable stem length is 10 feet.
Frosted glass lens encloses the bottom of the fixture to reduce glare.
Optional frosted acrylic lens available for food service environments.

Lamp

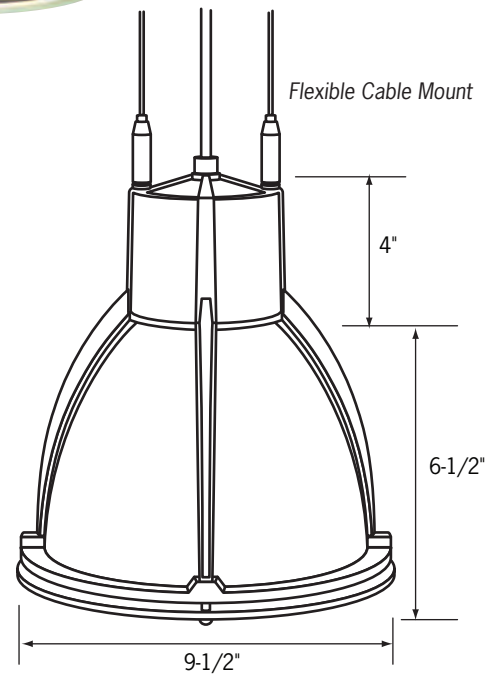
(1) 150W A21, E26 Medium Base, 120V operation.

Warranty

This fixture is covered by ConTech's one (1) year full replacement guarantee after date of purchase.

Listing

CSA Certified to UL Standards. Suitable for damp locations.



Ordering Information

Example Order: -

Fixture	Shade	Mounting	Finish
<input type="text"/>	<input type="text"/>	<input type="text"/>	<input type="text"/>

Accessories
<input type="text"/>

CGI8

- A** - Acrylic
- AL** - Aluminum
- AM** - Amber Glass
- B** - Blue Glass
- R** - Red Glass
- W** - White Glass
- FC** - Flexible Cable
- RS** - Rigid Stem*

- B** - Black Housing/
Black Cord
- P** - White Housing/
White Cord
- S** - Silver Housing/
Black Cord

**CONTECH CGI8 8" INCAN STEMLIGHT
NEEDS CG8FAL FROSTED ACRYLIC
GP20INCBL**

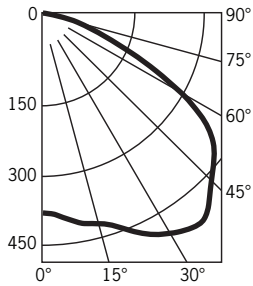
- Rigid Stem Lengths for "RS" Mount Only
10 Ft. Maximum Allowable Stem Length*
- 6" STEM(A)-(B,P,S)**
 - 12" STEM(A)-(B,P,S)**
 - 18" STEM(A)-(B,P,S)**
 - 24" STEM(A)-(B,P,S)**
 - 30" STEM(A)-(B,P,S)**
 - 36" STEM(A)-(B,P,S)**
 - 48" STEM(A)-(B,P,S)**
 - COUPLING-(B,P,S)** - External Coupling for
Connecting Stems
 - CG8FAL** - Frosted Acrylic Lens

*Rigid Stem sold separately, does not include aircraft cable. See selection at right.

CGI8ALFC-P

Lamp: (1) 150W A21 Incandescent Lumens: 2850 per lamp Spacing Criteria: 1.8 Test No.: 69367

Candela Curve



Candlepower Summary

FROM 0	CANDELA	LUMENS
0	384	
5	393	38
15	419	120
25	468	217
35	500	311
45	448	348
55	375	329
65	188	191
75	66	73
85	15	19
95	9	9

Intensity Distribution

DISTANCE (FT.)	FOOTCANDLES (FC)	BEAM DIAMETER (FT.)
6'	10.7	10.8
8'	6.0	14.4
10'	3.8	18.0
12'	2.7	21.6
14'	2.0	25.3
16'	1.5	28.9

Beam Distribution: 132°

Coefficients of Utilization

RC RW	80%		70%		50%	
	50%	30%	50%	30%	50%	30%
0	70	70	68	68	65	65
1	61	59	60	58	57	55
2	54	50	52	49	50	47
3	47	42	46	41	44	40
4	41	36	40	35	39	34
5	37	31	36	31	34	30
6	33	27	32	27	31	26
7	29	24	29	24	28	23
8	27	21	26	21	25	21
9	24	19	24	19	23	19
10	22	17	22	17	21	17

*Rigid Stem sold separately, does not include aircraft cable. See selection at right.