

RLMAC1596

Mono-Point A15 Incandescent Gravity-Fit Pendant Fixture

Specifications/Features

RLMAC Mono-point pendants from ConTech Lighting offer both simplicity and beauty. Pendants are field adjustable and simplify system design and installation and do not require a transformer.

Line voltage pendants are compatible with a wide array of gravity-fit pendant shades. Shades sold separately. A minimum shade height of 6" is recommended to cover the lamp.

96" Semi-rigid wiring cover keeps cord straight for clean appearance. Cord may be field modified for shorter lengths.

All pendants are available in white (-P), black (-B) and silver (-S).

Lamp/Electrical

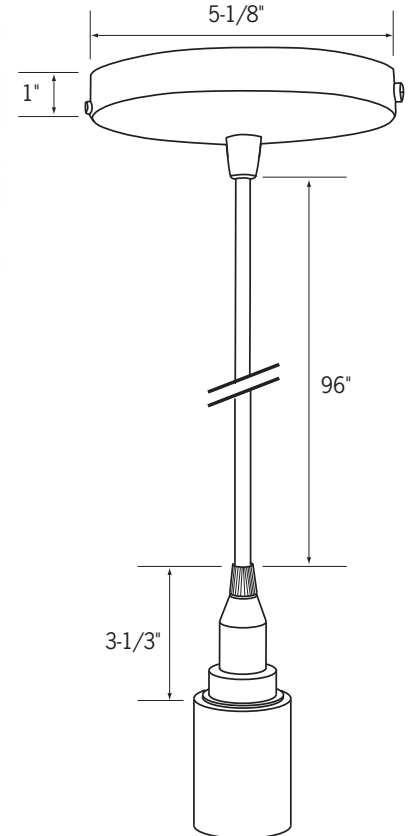
(1) 120V 60W A15, E26 Medium Base (max.). Lamps sold separately.

Warranty

This complete fixture is covered by ConTech's full one (1) year replacement guarantee after date of purchase.

Listing

cCSAus Certified for dry locations.



Ordering Information

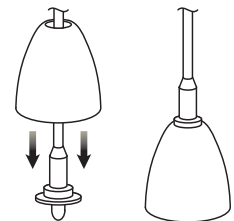
Example Order:

Fixture

RLMAC1596

Finish

- B** - Black
- P** - White
- S** - Silver



Gravity-Fit Shade and Pendant Assembly

Gravity-fit shades are attached over the cable and rest on the socket flange.