

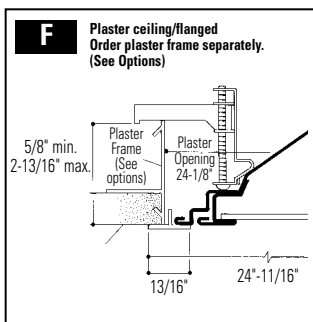
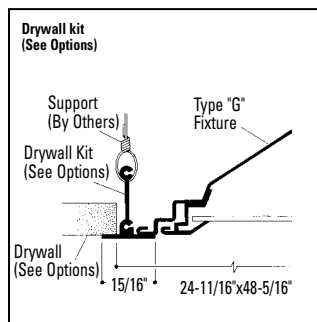
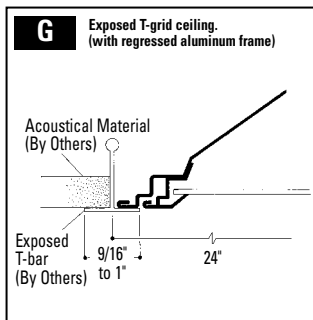
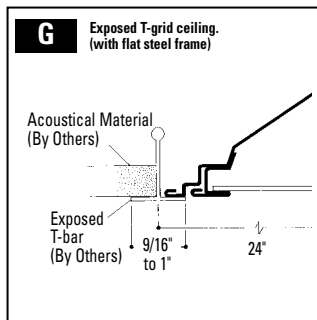
XP/XA 2' x 4' Lens Recessed Fluorescent **XP/XA332**

Features

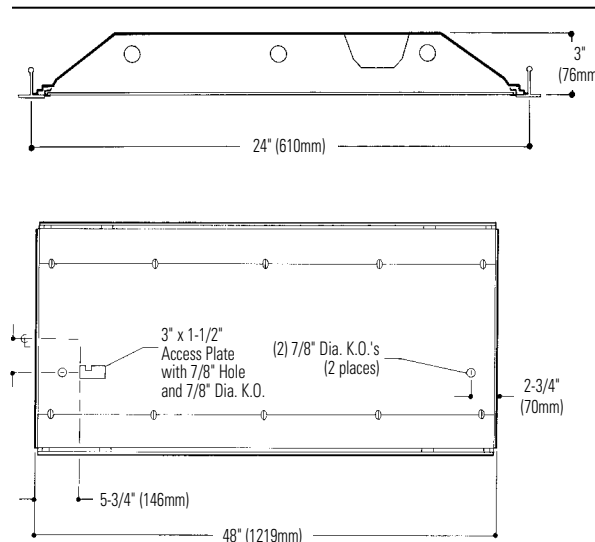
- Efficiency 85.0%.
- Shallow 3" deep housing.
- Ribbed housing for strength and stability.
- Ends of housing formed inward for safe handling.
- Built-in earthquake clips.
- Hemmed-over side rails for safe handling.
- Ends have screw dimples for installation to T-bar (no fixture or ceiling distortion).
- Flat steel or regressed aluminum lens frame with mitered corners.
- Edges of steel door frame hemmed-over for safe handling.
- No light leak.
- Internal "T" hinges – easy installation and maintenance.
- Rooster head spring latches.
- Meets code 30 requirements in New England.



Mounting Methods



Dimensions



LIGHTOLIER®


Job Information	Type:
Job Name:	
Cat. No.:	
Lamp(s):	
Volts/Ballast:	

XP/XA 2' x 4' Lens Recessed Fluorescent **XP/XA332**

Photometry

Model No. **XP2GVA33212003**

LER = FL - 75.2 IW - 85 BF - 0.88
Comparative yearly lighting energy cost per 1000 lumens = \$3.19



45 Industrial Way
Wilmington, MA 01887
(978) 657-7600

REPORT NO.: G22921 DATE: 7/2/02
CATALOG NO.: XP2GVA33212003
LAMP(S): 3 F32T8, EACH RATED 2850 LUMENS.
LUMINAIRE: 2X4 G TROFFER W/ VA LENS
ADVANCE REL-3P32-SC

CANDELA DISTRIBUTION

0-0	22.5	45.0	67.5	90.0	FLUX	
0	2708	2708	2708	2708		
5	2709	2703	2703	2691	2694	257
15	2618	2623	2645	2666	2677	748
25	2402	2438	2518	2588	2616	1360
35	2078	2135	2269	2394	2429	1412
45	1630	1689	1818	1931	1985	1394
55	1093	1153	1263	1304	1339	1101
65	634	646	643	684	741	668
75	377	361	291	329	362	363
85	145	151	133	140	149	150
90	25	24	23	26	26	

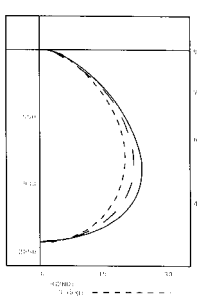
ZONAL LUMEN SUMMARY

ZONE	LUMENS	%LAMP	%PLAT
0-30	2165	25.0	30.0
0-40	3577	42.0	49.0
0-60	6072	71.0	84.0
0-90	7253	85.0	100.0
90-180	0	0.0	0.0
0-180	7253	85.0	100.0

TOTAL LUMINAIRE EFFICIENCY = 85.0%
CCT TYPE - DIRECT

PLANE: 0-DEG 90-DEG
SPACING CRITERIA: 1.2 1.4
SHIELDING ANGLES: 90 90
PLANE: 0-DEG 90-DEG
LUMINOUS LENGTH: 146.000 21.000

LUMINANCE DATA IN CANDELA/deg M
ANGLE AVERAGE AVERAGE
IN DEG 0-DEG 45-DEG 90-DEG
45 3697. 4124. 4503.
55 3057. 2932. 3744.
65 2406. 2440. 2812.
75 2336. 1803. 2243.
85 2669. 2448. 2742.



THIS REPORT IS BASED ON PUBLISHED INDUSTRY PROCEDURES • FIELD PERFORMANCE MAY VARY FROM LABORATORY PERFORMANCE.

coefficients of utilization — zonal cavity method (effective floor cavity reflectance 0.20)

RW	20			20			20		
	RC	80	50	RC	80	50	RC	80	50
1	93	89	85	83	81	78	80	78	76
2	85	78	73	74	69	66	71	67	64
3	78	69	63	65	60	56	63	59	55
4	71	62	54	58	53	48	56	51	47
5	66	55	48	53	46	42	51	46	41
6	61	50	43	48	41	37	46	41	36
7	56	45	38	43	37	33	42	37	32
8	53	41	34	40	34	29	39	33	29
9	49	38	31	37	31	26	35	30	26
10	46	35	28	34	28	24	33	28	24

visual comfort probability (rated lumens per lamp 2850)

W	L	ceiling height				ceiling height			
		8.5	10.0	13.0	16.0	8.5	10.0	13.0	16.0
20	20	60	65	73	81	59	63	69	78
20	30	52	57	63	71	53	56	60	67
20	40	48	52	58	63	50	52	56	60
20	60	44	48	52	58	46	49	52	56
30	20	62	66	72	79	61	65	69	76
30	30	53	58	62	68	54	57	60	65
30	40	48	52	56	61	50	53	55	58
30	60	44	47	50	55	46	49	50	54
30	80	42	45	46	51	44	46	48	51
40	20	64	68	72	78	63	66	70	76
40	30	55	59	63	67	56	59	61	65
40	40	49	53	56	60	51	54	56	58
40	60	45	48	50	54	46	49	51	53
40	80	42	45	46	50	44	46	48	50
40	100	41	43	44	47	43	45	46	48
60	30	56	60	64	68	57	60	62	66
60	40	50	54	57	60	52	55	56	59
60	60	45	48	50	54	47	50	51	54
60	80	42	45	46	49	44	46	47	50
60	100	41	43	43	46	43	44	45	48
100	40	54	57	59	63	54	57	59	62
100	60	48	51	52	56	49	52	53	56
100	80	45	47	47	51	46	48	49	52
100	100	43	44	44	47	44	46	46	48

Ordering Information

Explanation of Catalog Number. Example: XP2GVA33212003GLR

XP	2	VA	3	32			
Recessed Fluorescent with Flat Steel Lens Frame	Fixture Width	Ceiling Type: G = Grid (lay-in) T-bar F = Flanged (overlap) Z spline and plaster frame	Lamp Quantity: (By others) 3 = 3-Lamp	Lamp Fixture Length: 32=T8, 4' Length	Voltage: 120 or 277	Ballast: <20THD 1 & 2 Lamp Elec. (T8) 1-3 Lamp Elec. (T8) LOL Dimming (T8) *Instant Start Standard Other dimming options. Consult factory.	Options: Add appropriate suffix to catalog no. ie: (GLR) SO* HI* O3* H3* PS

Options/Accessories

Special Lens: Substitute VI for .125" nominal pattern. For other lenses, consult factory.

Access Plates: Top wiring access plate is shipped with fixture as standard. When access plates are required in advance for wiring convenience, specify separately. Order Catalog number: **ACPX CSP**.

Electrical Wiring Options: Consult factory.

Fusing: Internal fast-blow fusing. Suffix: **GLR**.

Internal slow-blow fusing. Suffix: **GMF**.

Radio Interference Filter: 120 or 277 volt, 50 or 60 Hz. One per fixture: Suffix: **R**. One per ballast: Suffix: **B**.

Drywall Kit: Order Catalog Number: **FK92x4** (Request Folio OA30-10).

Specifications

Performance: In an installation of 3 lamps 32 W luminaires in a room cavity of 1, with reflectance of 80% ceiling, 50% walls, 20% floor, the C.U. shall not be less than .89. To control veiling reflections, luminaire output in the 30°-90° zone shall be not less than 70%.

Materials: Chassis parts are die-formed code gauge cold rolled steel.

Housing is embossed for added strength and rigidity with all edges turned over for safe handling. **Lens frames**—(XP) flat full-size steel frame, (XA) regressed full-size aluminum frame.

Finish: Chassis exterior—white baked polyester enamel. **Cavity**—white baked polyester enamel minimum 86% reflectance. Phosphate undercoating.

Specifications (continued)

Lens: Extruded virgin acrylic 3/16" square based female cones, running 45° to the panel edge. .095" nominal thickness (similar to pattern 12).

Electrical: Thermally protected class "P" ballast C.B.M. approved, non PCB. If K.O. is within 3" of ballast, use wire suitable for at least 90°.

Labels: I.B.E.W./UL and ULc Listed.

Job Information

Type:

Lightolier a Genlyte Thomas Company

www.lightolier.com

Technical Information: (978) 657-7600 • Fax (978) 658-0595

631 Airport Road, Fall River, MA 02720 • (508) 679-8131 • Fax (508) 674-4710

We reserve the right to change details of design, materials and finish.

© 2002 Genlyte Thomas Group LLC (Lightolier Division) A0303

Section1A/Folio F70-11

LIGHTOLIER®