

DESCRIPTION

Trace-Lite's LPA Advantage Series of backlit LED panels offers incredible performance in an energy-efficient, slim profile package available in 1' x 4', 2' x 2' and 2' x 4' configurations. Ideal for office spaces, schools, hospitals and any indoor location that requires even illumination and lower maintenance. The LPA Series is compatible with most standard T-bar grid ceilings and includes 0-10V dimming standard. Trace-Lite LED panels offer soft and uniform light with PMMA optical lensing that will not yellow over time. All panels are packaged in a quantity of four.

SPECIFICATIONS

Construction:

- Precision die-formed steel enclosure in a white finish
- Aluminum frame with seamless corners
- Recessed design fits most standard T-bar grid ceilings
- Backlit design, LEDs sit at the back of the enclosure aimed directly at the diffuser to evenly illuminate the entire surface of the panel
- Sturdy frame prevents warping due to the slightly more elevated profile

Optics/LEDs:

- UV-stabilized PMMA optical lenses over the LEDs that will not yellow over time
- Soft and uniform light distribution, 120° beam
- Efficacies up to 140 LPW to maximize energy savings and utility rebates
- Available in 3000K, 3500K, 4000K and 5000K CCT
- CRI ≥ 80
- L70 > 100,000 hours

Electrical:

- 120-277VAC, 50/60Hz
- 0-10V Dimming driver
- Power supply with high power factor of 90% typical

Testing & Compliance:

- cETL Listed, rated for insulated ceilings (IC Rated)
- Meets IP20 rating, Damp Location
- DesignLights Consortium® (DLC) PREMIUM Qualified
- Operating temperatures: -10°C to 40°C (14°F to 104°F)

Installation:

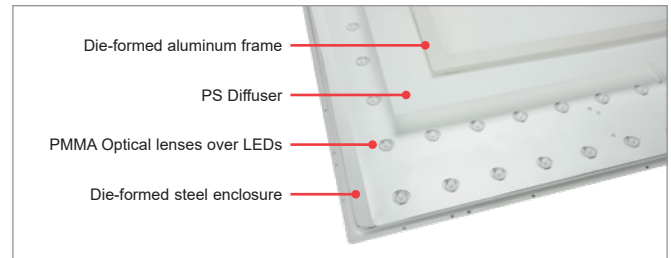
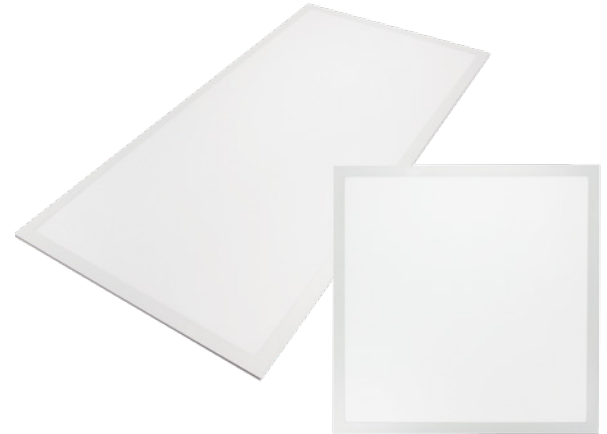
- Unit simply lifts through grid ceiling and rests on T-bars
- Easy installation in new construction or retrofit
- Standard recessed mounting in most 1' x 4', 2' x 2' or 2' x 4' grid ceilings
- Earthquake clips included

Warranty:

- Five Year Warranty (Terms and Conditions Apply)

LPA24-40-4KV

Model: _____ Date: _____
Accessories: _____
Job Name: _____ Type: _____



Backlit design for even illumination

Accessories:

- Optional surface mount kit (LPA14-SMK, LPA22-SMK and LPA24-SMK)
- Optional flange mount kit (LP14-FMK, LP22-FMK and LP24-FMK)
- Suspension mount kit (LPA-CMK)
- Field-installable battery packs available for emergency egress lighting ([LBD Series](#))

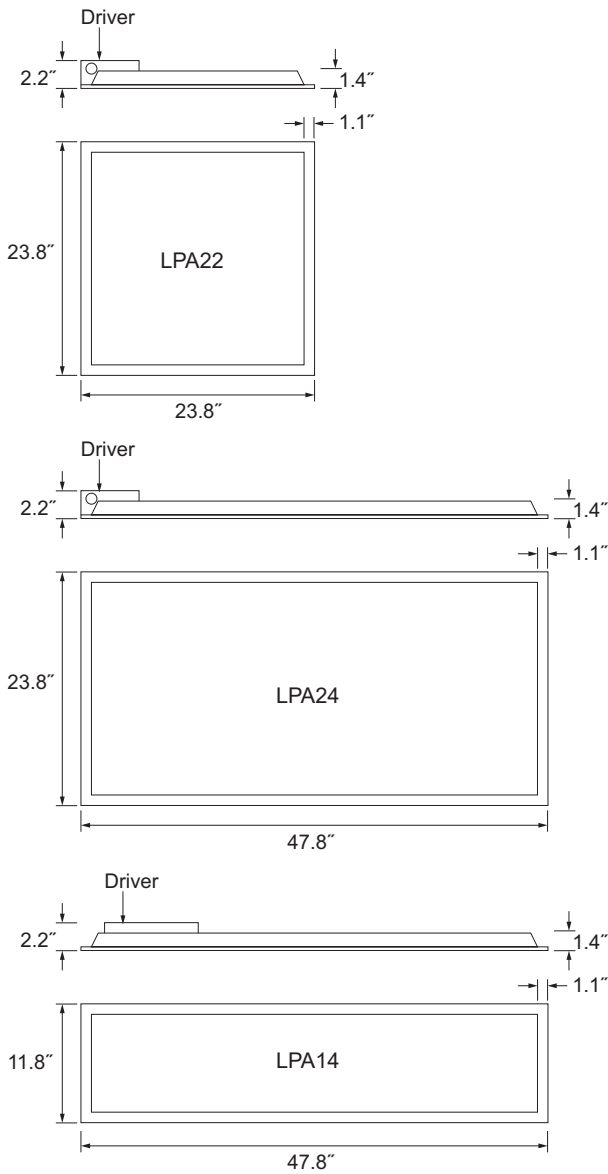
Specs at a Glance																
Configuration	LPA14 (1' x 4')				LPA22 (2' x 2')				LPA24 (2' x 4')							
Wattage (W)*	30W				30W				40W				60W			
CCT (K)	3000K	3500K	4000K	5000K	3000K	3500K	4000K	5000K	3000K	3500K	4000K	5000K	3000K	3500K	4000K	5000K
Lumens (lm)	3698	3742	3786	3917	3736	3776	3815	3933	5251	5196	5305	5468	7126	7194	7310	7658
Efficacy (LPW)	126	127	129	132	127	128	130	133	135	134	136	140	125	126	128	133
CRI	>80															
Input Voltage	120-277VAC, 50/60Hz, 0-10V Dimmable															
Operating Temp	-10°C to 40°C (14°F to 104°F)															
Certifications	cETL Listed, IC Rated, DLC PREMIUM															
Warranty	5 Years															
Weight	5.7 lbs				5.7 lbs				10.9 lbs							

Specifications are subject to change without notice. Installation must be performed in accordance with Barron Lighting Group installation instructions.

Ordering Information (Example: LPA22-30-5KV)

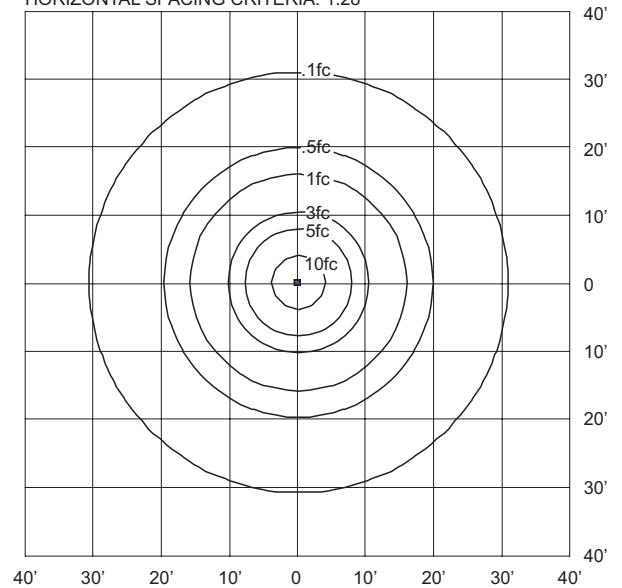
Series/Wattage	CCT	Accessories ³ (Field Installed)
LPA14-30 ¹ = 1'x 4', 30W	3KV = 3000K	LBD-5-NC-CW-C ^{4,5} = 5 Watt Battery Pack for Emergency Egress
LPA22-30 ¹ = 2'x 2', 30W	35KV = 3500K	LBD-7-NC-CW-C ^{4,5} = 7 Watt Battery Pack for Emergency Egress
LPA24-40¹ = 2'x 4', 40W	4KV = 4000K	LBD-10-NC-CW-C ^{4,5} = 10 Watt Battery Pack for Emergency Egress
LPA24-60 ¹ = 2'x 4', 60W	5KV = 5000K	LBD-13-NC-CW-C ^{4,5} = 13 Watt Battery Pack for Emergency Egress
		LBD-17-NC-CW-C ^{4,5} = 17 Watt Battery Pack for Emergency Egress
Notes		LPA-CMK = Cable Mount Kit
¹ All panels are packaged in quantity of four (4pcs/carton)		LP14-FMK = 1' X 4' Flange Mount Kit
² Order CCT as: 3K, 35K, 4K or 5K. Driver box located on back of unit		LP22-FMK = 2' X 2' Flange Mount Kit
³ Order as a separate line item. Shipped in a separate box for final installation in the field		LP24-FMK = 2' X 4' Flange Mount Kit
⁴ See back page for battery pack lumen output. Not compatible with LPAxx-SMK kit		LPA14-SMK ⁶ = 1' x 4' Surface Mount Kit
⁵ Consult LBD spec sheet for more details on battery pack, must be remote mounted		LPA22-SMK ⁶ = 2' x 2' Surface Mount Kit
⁶ Not recommended for textured ceilings		LPA24-SMK ⁶ = 2' x 4' Surface Mount Kit

Dimensions

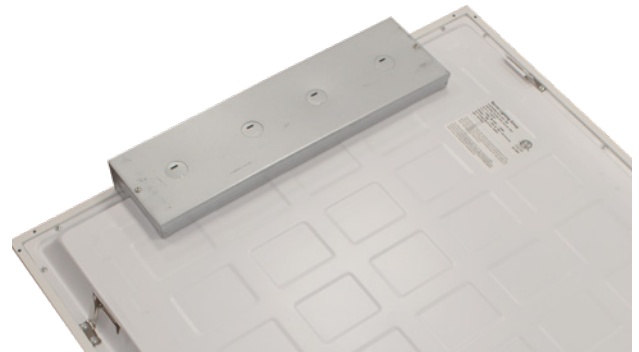


Sample Photometry

LPA22-30-4K
 IES: TYPE VS Very Short
 MOUNTING HEIGHT: 10'
 TILT: ZERO
 HORIZONTAL SPACING CRITERIA: 1.28

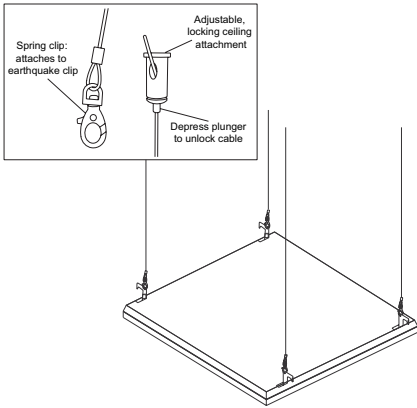


Driver Detail



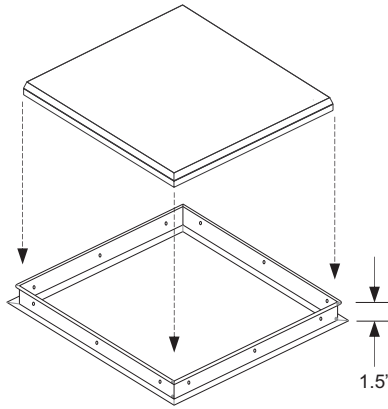
Cable Mount Kit (LPA-CMK)

Optional cable mounting kit (LPA-CMK) allows for suspended installations from any ceiling type. (6 pcs/kit, 3.2' length)



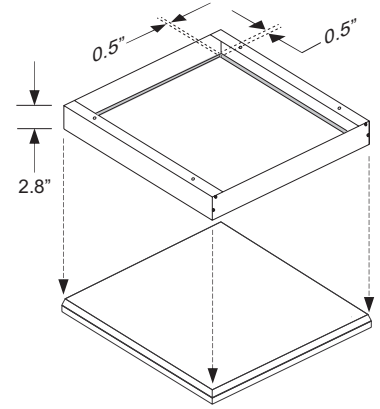
Flange Mount Kit (LPXX-FMK)

Optional flange kit (LP14-FMK, LP22-FMK, LP24-FMK) mounts above the drywall ceiling and allows the panel to be mounted flush to the ceiling.



Surface Mount Kit (LPAXX-SMK)

Optional surface mount kit (LPA14-SMK, LPA22-SMK, LPA24-SMK) allows for installation on plaster or other hard ceilings.



Lumen Output Summary for LBD Battery Pack Accessories (Consult LBD spec sheet for more details. [Click Here](#))

LPA Panel Battery Packs:			LBD-5-NC-CW-C	LBD-7-NC-CW-C	LBD-10-NC-CW-C	LBD-13-NC-CW-C	LBD-17-NC-CW-C
Model	Lumens	Wattage	Battery Backup Lumens				
LPA14-30-3K	3698	30	548	767	1096	1425	1863
LPA14-30-35K	3742	30	552	773	1104	1436	1878
LPA14-30-4K	3786	30	561	785	1122	1458	1907
LPA14-30-5K	3917	30	574	803	1148	1492	1952
LPA22-30-3K	3736	30	552	773	1104	1436	1878
LPA22-30-35K	3776	30	556	779	1113	1447	1893
LPA22-30-4K	3815	30	565	791	1131	1470	1922
LPA22-30-5K	3933	30	578	809	1157	1504	1967
LPA24-40-3K	5251	40	587	822	1174	1526	1996
LPA24-40-35K	5196	40	582	816	1165	1515	1981
LPA24-40-4K	5305	40	591	828	1183	1538	2011
LPA24-40-5K	5468	40	609	852	1218	1583	2070
LPA24-60-3K	7126	60	543	761	1087	1413	1848
LPA24-60-35K	7194	60	548	767	1096	1425	1863
LPA24-60-4K	7310	60	556	779	1113	1447	1893
LPA24-60-5K	7658	60	578	809	1157	1504	1967