

Model: _____ Date: _____
 Accessories: _____
 Job Name: _____ Type: _____

DESCRIPTION

Trace-Lite's LPX Series backlit LED panel is a cost effective solution that offers incredible performance in an energy-efficient package, available in 2' x 2' and 2' x 4' configurations with up to 7100 lumens. Available in 4 dedicated color temperatures, 3000K, 3500K, 4000K and 5000K to fit your project needs. This series is ideal for office spaces, schools, hospitals, and any indoor location that requires even illumination and lower maintenance. The LPX Series is compatible with most standard T-bar grid ceilings and includes 0-10V dimming standard. DesignLights Consortium® (DLC) Qualified for more rebates.



CONSTRUCTION

- Cold rolled carbon steel enclosure in a white finish
- Aluminum frame with seamless corners
- Recessed design fits most standard T-bar grid ceilings, only 1.4" thickness
- Backlit design, LEDs sit at the back of the enclosure aimed directly at the diffuser to evenly illuminate the entire surface of the panel
- Sturdy frame prevents warping due to the slightly more elevated profile

OPTICS/ LEDs

- 3000K, 3500K, 4000K and 5000K CCT available
- CRI ≥80
- Efficacy up to 125 lumens per watt
- L70 > 50,000hrs
- UV-stabilized optical lenses over the LEDs that will not yellow over time
- Polystyrene lens for optimized light diffusion

ELECTRICAL

- Universal 120-277VAC, 50/60Hz
- Power Factor > 0.90
- 0-10V Dimming driver
- Power supply with high power factor of 90% typical

INSTALLATION

- Unit simply lifts through grid ceiling and rests on T-bars
- Easy installation in new construction or retrofit
- Standard recessed mounting in most 2' x 2' or 2' x 4' grid ceilings
- Earthquake clips included

TESTING & COMPLIANCE

- cULus listed for Damp Locations, rated for insulated ceilings (IC rated)
- IP20 rated
- DesignLights Consortium® (DLC) Qualified (Some models PREMIUM qualified) Not all versions of this product may be DLC qualified. Please check the DLC Qualified Products List at www.designlights.org/QPL to confirm which versions are qualified.
- Operating temperatures: -10°C to 40°C (14°F to 40°C)

WARRANTY

- Five Year warranty (terms and conditions apply)

Accessories

- Optional surface mount kit (LPX-22-SMK and LPA24-SMK)
- Optional flange mount kit (LP22-FMK and LP24-FMK)
- Y-Cable Suspension mount kit (LPA-CMK)
- Field-installable battery packs available for emergency egress lighting (LBD Series)



Specs at a Glance *

Configuration	LPX-22-40 (2' x 2')	LPX-24-40 (2' x 4')	LPX-24-60 (2' x 4')
CCT (K)	3000K, 3500K, 4000K, 5000K		
Wattage (W)*	40w	40w	60w
Lumens (lm)	4,323	4,414	7,146
Efficacy (LPW)	110-125		
CRI	>80		
Input Voltage	120-277VAC, 50/60Hz, 0-10V Dimmable		
Operating Temp	-10°C to 40°C (-14°F to 104°F)		
Certifications	cULus Listed for Damp Locations (IC rated) DLC, DLC PREMIUM (LPX-24-60)		
Warranty	5 Years		
Weight	4.5lbs	9.8lbs	9.8lbs

*Nominal Wattage. Tested at 5000K CCT, 120-277VAC

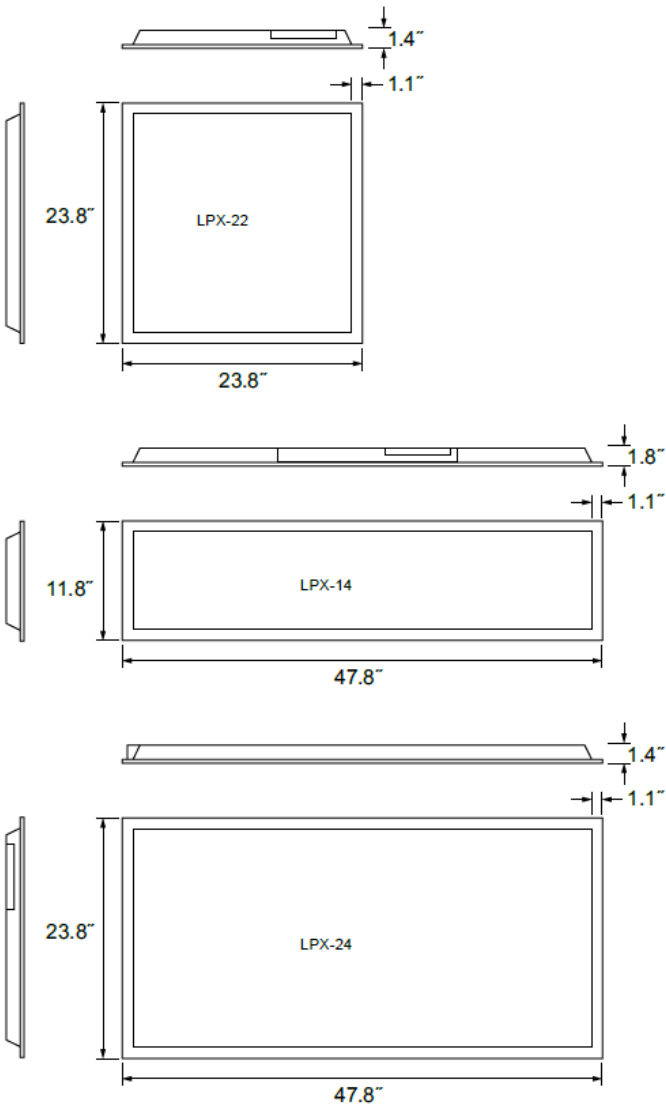
See performance table for more detailed lumen information

ORDERING INFORMATION

Example: LPX-22-40-4K

Series/Size/Wattage	CCT	Configuration	Accessories ⁵ (Field Installed)
LPX-22-40 ¹ = 2' X 2', 40w (Standard only)	3K = 3000K	Blank ³ = Standard	LBD-5-NC-CW-C ⁶ = 5 Watt Battery Pack for Emergency Egress
LPX-24-40 ² = 2' X 4', 40w (Standard only)	35K = 3500K	P ⁴ = Premium	LBD-7-NC-CW-C ⁶ = 7 Watt Battery Pack for Emergency Egress
LPX-24-60 ^{2,3} = 2' X 2', 60w (Premium only)	4K = 4000K		LBD-10-NC-CW-C ⁶ = 10 Watt Battery Pack for Emergency Egress
	5K = 5000K		LBD-13-NC-CW-C ⁶ = 13 Watt Battery Pack for Emergency Egress
			LBD-17-NC-CW-C ⁶ = 17 Watt Battery Pack for Emergency Egress
Notes			
¹ All panels are packaged in quantity of four (4pcs/carton)			
² Panels are packaged in quantity of two (2pcs/carton, 4pcs/master carton)			
³ Select this option for LPX-22-40 & LPX-24-40 (only option available)			
⁴ Select this option for LPX-24-60 (only option available)			
⁵ Order as a separate line item. Shipped in a separate box for final installation in the field			
⁶ See back page for battery pack lumen output. Not compatible with LPX-xx-SMK kit. Consult LBD spec sheet for more details on battery pack, must be remote mounted			
			LPX-CMK = Y-Cable Suspension Mount Kit
			LP22-FMK = 2' X 2' Flange Mount Kit
			LP24-FMK = 2' X 4' Flange Mount Kit
			LPX-22-SMK = 2' x 2' Surface Mount Kit
			LPX-24-SMK = 2' x 4' Surface Mount Kit
			MC6-6 = Metal Clad 6' (6 conductor) #18 Leads whip (for use in dimming applications)

Dimensions



Sample Photometry

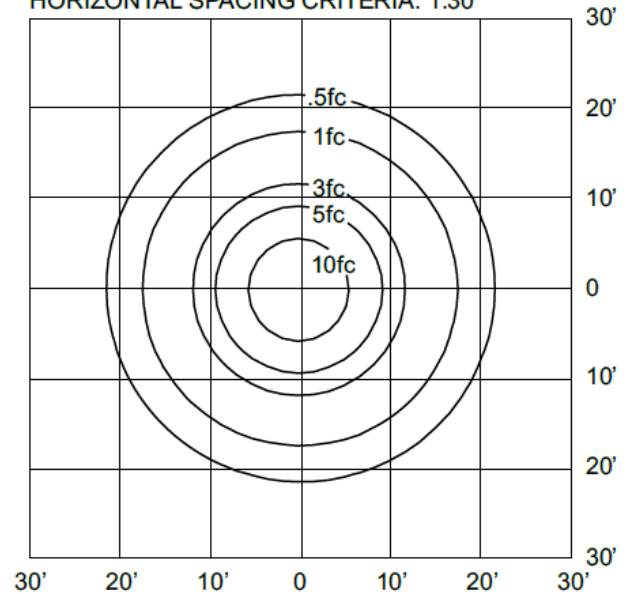
LPX-24-40-5K: 40W, 5000K CCT

IES: TYPE VS Very Short

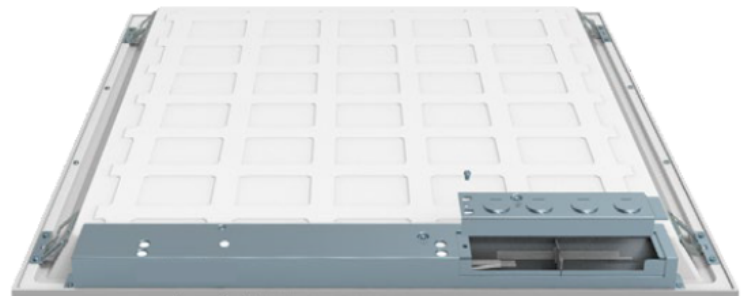
MOUNTING HEIGHT: 10'

TILT: ZERO

HORIZONTAL SPACING CRITERIA: 1.30

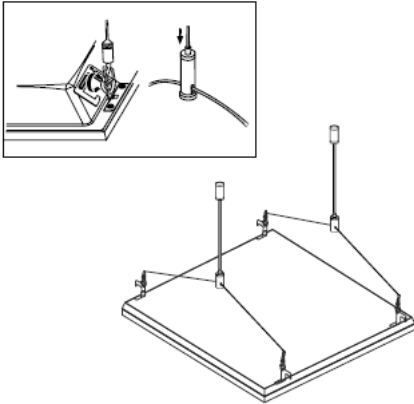


Driver Box Detail



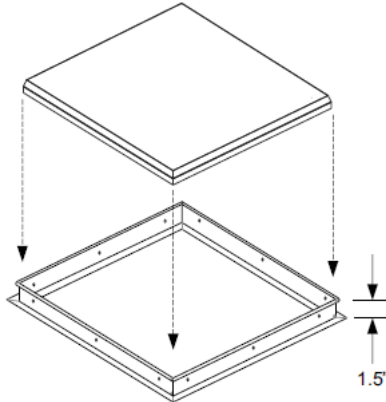
Cable Mount Kit (LPX-CMK)

Optional Y cable mounting kit (LPX-CMK) allows for suspended installations from any ceiling type. (2 pcs/kit, 3.2' length)



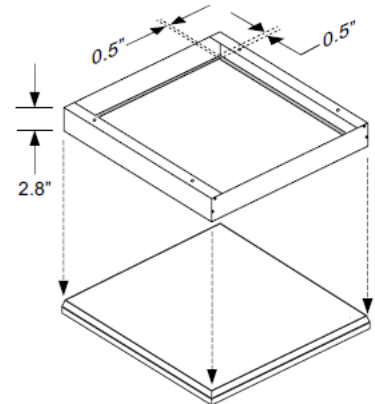
Flange Mount Kit (LPX-XX-FMK)

Optional flange kit (LPX-22-FMK, LPX24-FMK) mounts above drywall ceiling, allows panel to be mounted flush to ceiling.



Surface Mount Kit (LPX-XX-SMK)

Optional surface mount kit (LPA22-SMK, LPA24-SMK) allows for installation on plaster or other hard ceilings.



PERFORMANCE TABLE

Model	Wattage	CCT	Lumens	LPW	Power Factor	CRI	DLC Qualified
LPX-14-40-3K	37	3000K	4070	110	0.9	80	NOT LISTED
LPX-14-40-35K	37	3500K	4278	114	0.9	80	STANDARD
LPX-14-40-4K	38	4000K	4388	114	0.9	80	STANDARD
LPX-14-40-5K	40	5000K	4607	115	0.9	80	STANDARD
LPX-22-40-3K	38	3000K	4180	110	0.9	80	NOT LISTED
LPX-22-40-35K	0	3500K	4201	111	0.9	80	STANDARD
LPX-22-40-4K	38	4000K	4242	111	0.9	80	STANDARD
LPX-22-40-5K	39	5000K	4323	111	0.9	80	STANDARD
LPX-24-40-3K	38	3000K	4180	110	0.9	80	NOT LISTED
LPX-24-40-35K	38	3500K	4266	112	0.9	80	STANDARD
LPX-24-40-4K	39	4000K	4315	111	0.9	80	STANDARD
LPX-24-40-5K	39	5000K	4414	112	0.9	80	STANDARD
LPX-24-60-3K-P	57	3000K	7100	125	0.9	80	NOT LISTED
LPX-24-60-35K-P	57	3500K	7137	126	0.9	80	PREMIUM
LPX-24-60-4K-P	57	4000K	7140	126	0.9	80	PREMIUM
LPX-24-60-5K-P	57	5000K	7146	126	0.9	80	PREMIUM