

SPECIFICATION SHEET : **WH5-120-L**

This Is An Original Product From Fulham Co., Inc

Description : WorkHorse Series Versatile, Solid State Electronic Ballast. Small Case Size, High Power Factor, Light Weight, Available In 120/230/277V 50/60 Hz.

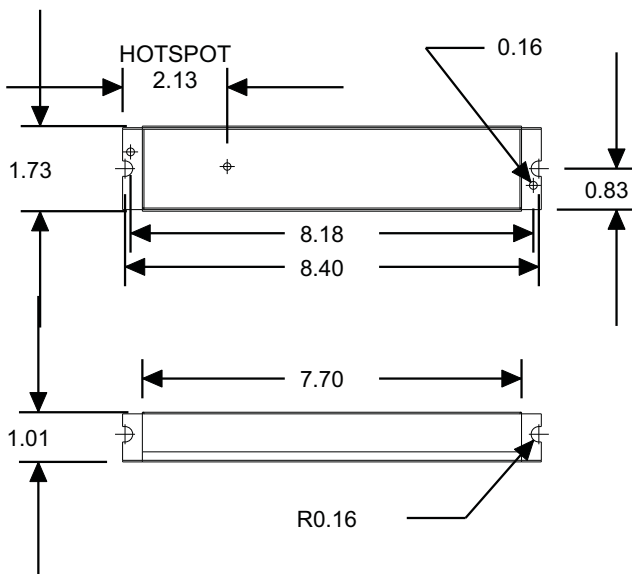
This Ballast Will Operate Following Lamps.

REFER TO LAMP WATTS/TYPE

ELECTRICAL DATA

INPUT VOLT: 120V ± 10% , 50/60Hz					
LAMP WATTS/TYPE	LAMPS OPERATED	INPUT WATTS	LINE CURRENT	BALLAST FACTOR	EFFICACY FACTOR
*F32T8	3	106	0.93	1.26	1.19
*F32T8	4	127	1.13	1.11	0.87
F54T5HO	2	108	0.96	1.07	0.99
*F58T8	2	110	0.97	1.08	0.98
*F40T10	2	101	0.90	1.31	1.30
*F15T8	3	50	0.44	1.00	2.02
POWER FACTOR	> 0.9				
THD	< 32 %				
EMI/RFI COMPLIANCE	FCC PART 18-A				
SOUND RATING	" A "				
BALLAST TYPE	INSTANT START				
VOLTAGE TRANSIENTS	ANSI C82.11 - 1993				
INPUT/PROTECTION	FUSE				
OUTPUT/PROTECTION	-				
MIN. OPERATING TEMP	- 30 °C (- 20 °F)				
MAX. CASE TEMP	70 °C (158 °F)				
ENERGY STAR 4.0	-				
APPROVALS/CLASS	* UL /cUL LISTED, CLASS " P ", 1 OR 2 OUTDOOR				
APPROVALS/CLASS	UL LISTED, CLASS " P ", 1 OR 2 OUTDOOR				

MECHANICAL DATA



Where : L = Length, W = Width, H = Height

WIRING DIAGRAMS

WIRE	BLACK	WHITE	RED	BLUE	YELLOW	BROWN
LENGTH - INCHES	18 ± 1"	18 ± 1"	36 ± 1"	-	36 ± 1"	-

WIRING DIAGRAMS DEPENDS ON THE LAMP TYPE. PLEASE REFER TO FULHAM'S CATALOG.

NOTE : This Ballast Must Be Grounded

Fulham extends a limited warranty only to the original purchaser or to the first user for a period of 5 years from the date of manufacture when properly installed and operated under normal conditions of use. For complete terms and conditions, please reference the Fulham product catalog (www.fulham.com)
Due to a program of continuous improvement, Fulham reserves the right to make modifications or variations in design or construction to the equipment described.

SPECIFICATION SHEET : WH5-120-L

This Is An Original Product From Fulham Co., Inc

Description : WorkHorse Series Versatile, Solid State Electronic Ballast. Small Case Size, High Power Factor, Light Weight, Available In 120/230/277V 50/60 Hz.

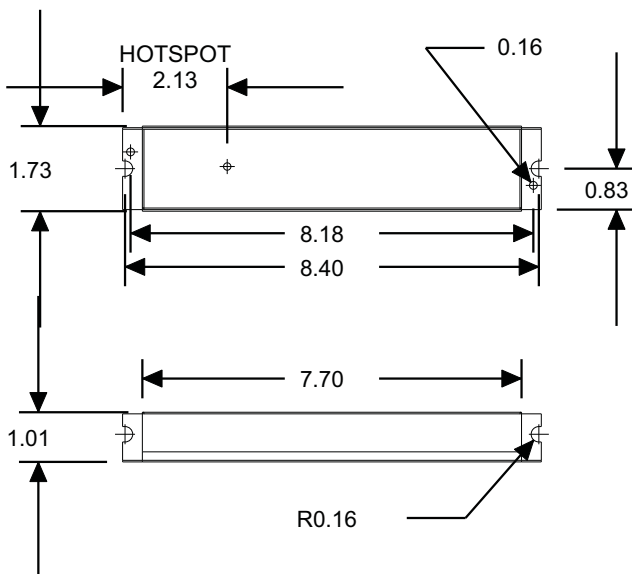
This Ballast Will Operate Following Lamps.

REFER TO LAMP WATTS/TYPE

ELECTRICAL DATA

INPUT VOLT: 120V ± 10%, 50/60Hz					
LAMP WATTS/TYPE	LAMPS OPERATED	INPUT WATTS	LINE CURRENT	BALLAST FACTOR	EFFICACY FACTOR
*F96T12HO/SS 95W	1	63	0.56	0.55	0.87
*F96T12HO 110W	1	72	0.63	0.53	0.74
*F72T12HO	1	97	0.87	1.18	1.21
*F40T12	2	94	0.84	1.30	1.38
*F15T8	4	60	0.53	0.98	1.64
FT40W	2	90	0.80	1.00	1.11
POWER FACTOR	> 0.9				
THD	< 32 %				
EMI/RFI COMPLIANCE	FCC PART 18-A				
SOUND RATING	" A "				
BALLAST TYPE	INSTANT START				
VOLTAGE TRANSIENTS	ANSI C82.11 - 1993				
INPUT/PROTECTION	FUSE				
OUTPUT/PROTECTION	-				
MIN. OPERATING TEMP	- 30 °C (- 20 °F)				
MAX. CASE TEMP	70 °C (158 °F)				
ENERGY STAR 4.0	-				
APPROVALS/CLASS	* UL /cUL LISTED, CLASS " P ", 1 OR 2 OUTDOOR				
APPROVALS/CLASS	UL LISTED, CLASS " P ", 1 OR 2 OUTDOOR				

MECHANICAL DATA



Where : L = Length, W = Width, H = Height

WIRING DIAGRAMS

WIRE	BLACK	WHITE	RED	BLUE	YELLOW	BROWN
LENGTH - INCHES	18 ± 1"	18 ± 1"	36 ± 1"	-	36 ± 1"	-

**WIRING DIAGRAMS DEPENDS
ON THE LAMP TYPE.
PLEASE REFER TO FULHAM'S CATALOG.**

NOTE : This Ballast Must Be Grounded

Fulham extends a limited warranty only to the original purchaser or to the first user for a period of 5 years from the date of manufacture when properly installed and operated under normal conditions of use. For complete terms and conditions, please reference the Fulham product catalog (www.fulham.com)
Due to a program of continuous improvement, Fulham reserves the right to make modifications or variations in design or construction to the equipment described.

SPECIFICATION SHEET : WH5-120-L

This Is An Original Product From Fulham Co., Inc

Description : WorkHorse Series Versatile, Solid State Electronic Ballast. Small Case Size, High Power Factor, Light Weight, Available In 120/230/277V 50/60 Hz.

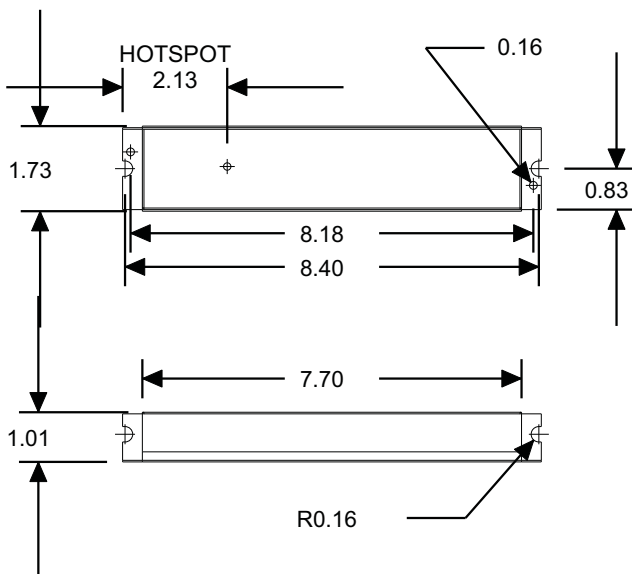
This Ballast Will Operate Following Lamps.

REFER TO LAMP WATTS/TYPE

ELECTRICAL DATA

INPUT VOLT: 120V ± 10% , 50/60Hz					
LAMP WATTS/TYPE	LAMPS OPERATED	INPUT WATTS	LINE CURRENT	BALLAST FACTOR	EFFICACY FACTOR
36/39CFT/E	1	42	0.38	1.11	2.61
36/39CFT/E	2	69	0.62	0.88	1.27
CFQ26W	2	59	0.53	1.09	1.84
*F72T8HO	1	69	0.61	0.95	1.37
CFTR42W	2	92	0.81	1.09	1.18
*F60T12	1	55	0.49	1.08	1.98
POWER FACTOR	> 0.9				
THD	< 32 %				
EMI/RFI COMPLIANCE	FCC PART 18-A				
SOUND RATING	" A "				
BALLAST TYPE	INSTANT START				
VOLTAGE TRANSIENTS	ANSI C82.11 - 1993				
INPUT/PROTECTION	FUSE				
OUTPUT/PROTECTION	-				
MIN. OPERATING TEMP	- 30 °C (- 20 °F)				
MAX. CASE TEMP	70 °C (158 °F)				
ENERGY STAR 4.0	-				
APPROVALS/CLASS	* UL /cUL LISTED, CLASS " P ", 1 OR 2 OUTDOOR				
APPROVALS/CLASS	UL LISTED, CLASS " P ", 1 OR 2 OUTDOOR				

MECHANICAL DATA



Where : L = Length, W = Width, H = Height

WIRING DIAGRAMS

WIRE	BLACK	WHITE	RED	BLUE	YELLOW	BROWN
LENGTH - INCHES	18 ± 1"	18 ± 1"	36 ± 1"	-	36 ± 1"	-

WIRING DIAGRAMS DEPENDS ON THE LAMP TYPE. PLEASE REFER TO FULHAM'S CATALOG.

NOTE : This Ballast Must Be Grounded

Fulham extends a limited warranty only to the original purchaser or to the first user for a period of 5 years from the date of manufacture when properly installed and operated under normal conditions of use. For complete terms and conditions, please reference the Fulham product catalog (www.fulham.com)
Due to a program of continuous improvement, Fulham reserves the right to make modifications or variations in design or construction to the equipment described.

SPECIFICATION SHEET : WH5-120-L

This Is An Original Product From Fulham Co., Inc

Description : WorkHorse Series Versatile, Solid State Electronic Ballast. Small Case Size, High Power Factor, Light Weight, Available In 120/230/277V 50/60 Hz.

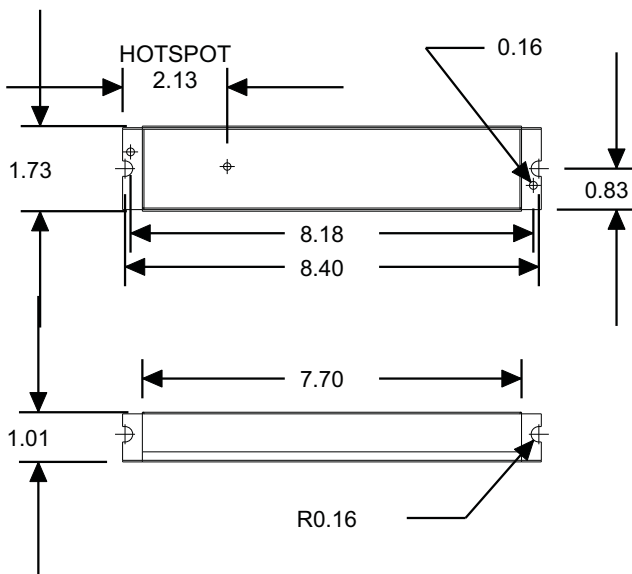
This Ballast Will Operate Following Lamps.

REFER TO LAMP WATTS/TYPE

ELECTRICAL DATA

INPUT VOLT: 120V ± 10% , 50/60Hz					
LAMP WATTS/TYPE	LAMPS OPERATED	INPUT WATTS	LINE CURRENT	BALLAST FACTOR	EFFICACY FACTOR
FT50W	2	117	1.04	1.16	0.99
FT50W	1	56	0.50	0.94	1.69
CFTR42W	3	106	0.94	0.95	0.89
CFQ26W	4	94	0.85	0.81	0.86
*F25T8	3	85	0.75	1.33	1.57
*F18T8	3	52	0.47	1.03	1.96
POWER FACTOR	> 0.9				
THD	< 32 %				
EMI/RFI COMPLIANCE	FCC PART 18-A				
SOUND RATING	" A "				
BALLAST TYPE	INSTANT START				
VOLTAGE TRANSIENTS	ANSI C82.11 - 1993				
INPUT/PROTECTION	FUSE				
OUTPUT/PROTECTION	-				
MIN. OPERATING TEMP	- 30 °C (- 20 °F)				
MAX. CASE TEMP	70 °C (158 °F)				
ENERGY STAR 4.0	-				
APPROVALS/CLASS	* UL /cUL LISTED, CLASS " P ", 1 OR 2 OUTDOOR				
APPROVALS/CLASS	UL LISTED, CLASS " P ", 1 OR 2 OUTDOOR				

MECHANICAL DATA



Where : L = Length, W = Width, H = Height

WIRING DIAGRAMS

WIRE	BLACK	WHITE	RED	BLUE	YELLOW	BROWN
LENGTH - INCHES	18 ± 1"	18 ± 1"	36 ± 1"	-	36 ± 1"	-

**WIRING DIAGRAMS DEPENDS
ON THE LAMP TYPE.
PLEASE REFER TO FULHAM'S CATALOG.**

NOTE : This Ballast Must Be Grounded

Fulham extends a limited warranty only to the original purchaser or to the first user for a period of 5 years from the date of manufacture when properly installed and operated under normal conditions of use. For complete terms and conditions, please reference the Fulham product catalog (www.fulham.com)
Due to a program of continuous improvement, Fulham reserves the right to make modifications or variations in design or construction to the equipment described.

SPECIFICATION SHEET : WH5-120-L

This Is An Original Product From Fulham Co., Inc

Description : WorkHorse Series Versatile, Solid State Electronic Ballast. Small Case Size, High Power Factor, Light Weight, Available In 120/230/277V 50/60 Hz.

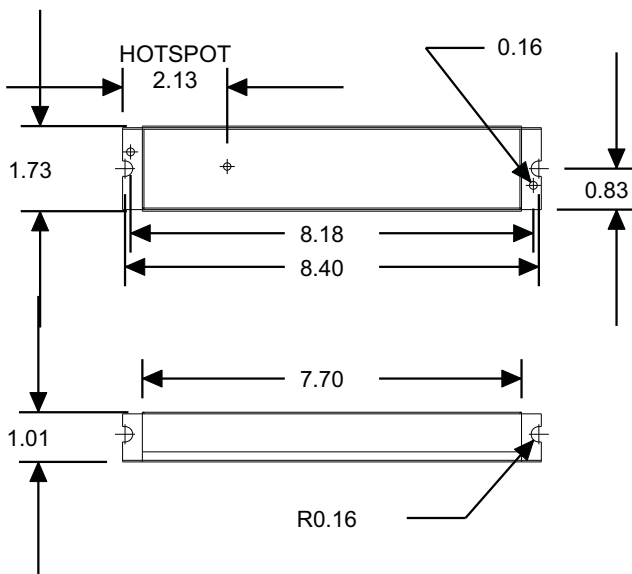
This Ballast Will Operate Following Lamps.

REFER TO LAMP WATTS/TYPE

ELECTRICAL DATA

INPUT VOLT: 120V ± 10% , 50/60Hz					
LAMP WATTS/TYPE	LAMPS OPERATED	INPUT WATTS	LINE CURRENT	BALLAST FACTOR	EFFICACY FACTOR
*F96T12 Slim/75W	1	73	0.64	0.98	1.35
*F96T12HO 110W	1	125	1.10	1.15	0.92
*F96T12HO 95W	1	103	0.92	1.17	1.13
FT40W	3	112	0.98	1.09	0.97
F24T5HO	3	70	0.61	0.99	1.41
POWER FACTOR	> 0.9				
THD	< 32 %				
EMI/RFI COMPLIANCE	FCC PART 18-A				
SOUND RATING	" A "				
BALLAST TYPE	INSTANT START				
VOLTAGE TRANSIENTS	ANSI C82.11 - 1993				
INPUT/PROTECTION	FUSE				
OUTPUT/PROTECTION	-				
MIN. OPERATING TEMP	- 30 °C (- 20 °F)				
MAX. CASE TEMP	70 °C (158 °F)				
ENERGY STAR 4.0	-				
APPROVALS/CLASS	* UL /cUL LISTED, CLASS " P ", 1 OR 2 OUTDOOR				
APPROVALS/CLASS	UL LISTED, CLASS " P ", 1 OR 2 OUTDOOR				

MECHANICAL DATA



Where : L = Length, W = Width, H = Height

WIRING DIAGRAMS

WIRE	BLACK	WHITE	RED	BLUE	YELLOW	BROWN
LENGTH - INCHES	18 ± 1"	18 ± 1"	36 ± 1"	-	36 ± 1"	-

WIRING DIAGRAMS DEPENDS ON THE LAMP TYPE. PLEASE REFER TO FULHAM'S CATALOG.

NOTE : This Ballast Must Be Grounded

Fulham extends a limited warranty only to the original purchaser or to the first user for a period of 5 years from the date of manufacture when properly installed and operated under normal conditions of use. For complete terms and conditions, please reference the Fulham product catalog (www.fulham.com)
Due to a program of continuous improvement, Fulham reserves the right to make modifications or variations in design or construction to the equipment described.