

## DESCRIPTION

Recessed 6-inch LED downlight provides narrow, medium or wide distribution patterns ideal for general area lighting. Lumen options range from 1000 to 4000 lumens in color temperatures of 2700K, 3000K, 3500K, and 4000K; in 80 or 90CRI. Luminaire is airtight and can be installed in new construction or below the finished ceiling in remodeling applications. Intended for healthcare, hospitality, office spaces, and institutional applications.

Catalog #		Type
Project		
Comments		Date
Prepared by		

## SPECIFICATION FEATURES

### Housing Frame

- Boat shaped galvanized steel plaster frame with adjustable plaster lip accommodates 1/2" to 1-1/2" thick ceilings
- May be installed in new construction; may be installed from below the finished (non-accessible) ceiling in remodeling (with mounting bars removed).
- Provided with (2) old work remodel clips to secure the frame to the ceiling

### Universal Mounting Bracket

- Mounting bracket adjusts 2" vertically from above the ceiling or thru the aperture
- Use with the included mounting bars or with 1/2" EMT
- Removable to facilitate installation from below the finished ceiling

### Mounting Bars

- Captive pre-installed No Fuss™ mounting bars lock to tee grid with screwdriver or pliers
- Centering mechanism allows for consistent positioning of fixtures

### LED Module

- Proximity phosphors over chip on board LEDs provide a uniform source with high efficiency and no pixilation
- Available in 80 or 90 CRI minimum, accuracy within 3 SDCM provides color uniformity
- 90 CRI option: R9>50 (refer to photometry section)
- Correlated color temperature options
  - 2700K
  - 3000K
  - 3500K
  - 4000K
- Passive thermal management achieves L70 at 50,000 hours in IC and non IC applications
- Integral diffuse lens provides visual shielding
- Integral connector allows quick connection to housing flex

### Lumen Options

- Nominal lumen values
  - 1000 lm
  - 1500 lm
  - 2000 lm
  - 3000 lm
  - 4000 lm

### Reflector

- Self-flanged aluminum reflectors are available in narrow, medium or wide distribution patterns
- Medium distribution polymer non-conductive matte white reflector may be used to meet local codes for 'dead front' applications (Non-IC, 3000 lumen max.)
- Wall wash reflector features a rotatable insert assembly with integral linear spread lens for precise alignment of vertical illumination.
- Reflector attaches to LED module with (3) speed clamps
- Multiple painted or plated finishes are available

### Reflector / Module Retention

- Reflector / module assembly is securely retained in the housing with (2) torsion springs

### Driver

- Field replaceable constant current driver provides low noise operation
- UNV 120-277VAC 50/60Hz input standard
- 347VAC 50/60Hz input option (Canada only)
- Continuous, flicker-free 1% dimming with 0-10V analog control
- Optional low voltage DC driver for use with Eaton's DLVP distributed low voltage power system combines power and control

### Emergency Option

- Provides 90 minutes of standby lighting meeting most life safety codes for egress lighting
- Available with integral or remote charge indicator and test switch

### Connected Lighting System Options

- WaveLinX tile mount daylight sensor includes control module, sensor and cable providing comprehensive lighting control
- LumaWatt Pro (powered by Enlighted) wireless tile mount sensor and control kit

### Junction Box

- Galvanized steel junction box
- 20 in<sup>3</sup> internal volume excluding voltage barrier
- 25 in<sup>3</sup> internal total volume
- Voltage divider for 0-10V dimming wires [occupies (1) 1/2" pry-out space]
- Listed for (8) #12 AWG (four in, four out) 90° C conductors and feed-thru branch wiring
- (3) 1/2" and (2) 3/4" trade size pry-outs available
- (3) 4-port push wire nuts for mains voltage, with 1-port for fixture connection

### Compliance

- cULus Listed/Classified, wet location labeled for covered ceilings
- IP20 - Above finished ceiling; IP65 - Below finished ceiling
- Non-IC rated 3000, 4000 lumen models. Insulation must be kept 3" from top and sides.
- IC rated 1000, 1500, 2000 lumen models, and suitable for direct contact to air permeable insulation
- Not for use in direct contact with spray foam insulation, consult NEMA LSD57-2013
- Airtight per ASTM-E283-04
- Suitable for use in clothes closets when installed in accordance with the NEC 410.16 spacing requirements
- EMI/RFI emissions FCC CFR Title 47 Part 15 Class A at 120/277V & Class B at 120V
- Contains no mercury or lead and RoHS compliant
- Photometric testing in accordance with IES LM-79-08
- Lumen maintenance projections in accordance with IES LM-80-08 and TM-21-11
- 1000, 1500 and 2000 lumen 90CRI ICAT models may be used to comply with State of California Title 24 residential code, with JA8-2016-E database certification
- May be used to comply with State of California Title 24 non-residential code, as a dimmable LED luminaire
- ENERGY STAR® certified, reference certified light fixtures database

### Warranty

- Five year limited warranty, consult website for details.  
[www.eaton.com/lighting/legal](http://www.eaton.com/lighting/legal)



**HC6**  
Frame

**HM6**  
LED Module

**61**  
**61PS**

Series Reflectors

**6-inch Lens Downlight**  
**and Lens Wall Wash**

**1000/1500/2000/**  
**3000/4000 Lumen**



## ENERGY DATA

Series	1000 lumen	
Input Voltage (VAC)	120V	277V
Input Current (A)	0.085	0.042
Input Power (W)	10.1	10.9
In-rush Current (A)	0.644	1.95
In-rush Duration (ms)	0.125	0.24
THDi (%)	8.6	15.6
PF:	≥ 0.90	
(Nominal input 120-277VAC & 100% of rated output power)		
Minimum starting temperature -40°C (-40°F)		
Sound Rating: Class A standards		

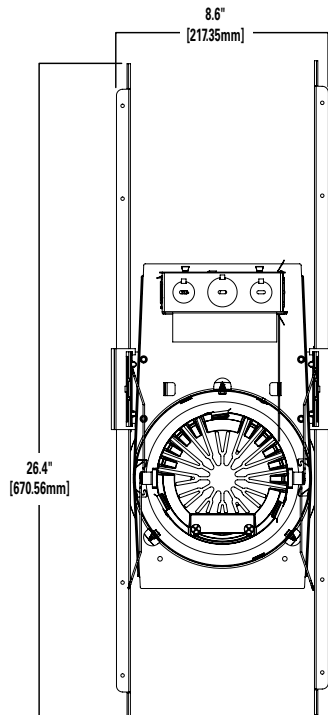
Series	1500 lumen	
Input Voltage (VAC)	120V	277V
Input Current (A)	0.119	0.055
Input Power (W)	14.2	14.9
In-rush Current (A)	0.212	0.85
In-rush Duration (ms)	0.28	0.32
THDi (%)	7.8	16.3
PF:	≥ 0.90	
(Nominal input 120-277VAC & 100% of rated output power)		
Minimum starting temperature -40°C (-40°F)		
Sound Rating: Class A standards		

Series	2000 lumen	
Input Voltage (VAC)	120V	277V
Input Current (A)	0.176	0.082
Input Power (W)	21.1	21.4
In-rush Current (A)	0.588	0.624
In-rush Duration (ms)	0.3	0.38
THDi (%)	8.8	11.2
PF:	≥ 0.90	
(Nominal input 120-277VAC & 100% of rated output power)		
Minimum starting temperature -40°C (-40°F)		
Sound Rating: Class A standards		

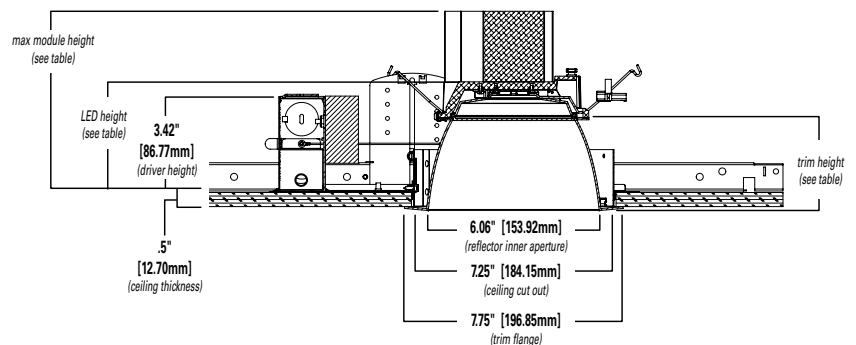
Series	3000 lumen	
Input Voltage (VAC)	120V	277V
Input Current (A)	0.228	0.102
Input Power (W)	27.2	27
In-rush Current (A)	0.898	1.7
In-rush Duration (ms)	0.36	0.38
THDi (%)	9.7	9.3
PF:	≥ 0.90	
(Nominal input 120-277VAC & 100% of rated output power)		
Minimum starting temperature -40°C (-40°F)		
Sound Rating: Class A standards		

Series	4000 lumen	
Input Voltage (VAC)	120V	277V
Input Current (A)	0.345	0.15
Input Power (W)	41.3	40.7
In-rush Current (A)	1.05	2.23
In-rush Duration (ms)	0.32	0.34
THDi (%)	10.06	14.01
PF:	≥ 0.90	
(Nominal input 120-277VAC & 100% of rated output power)		
Minimum starting temperature -40°C (-40°F)		
Sound Rating: Class A standards		

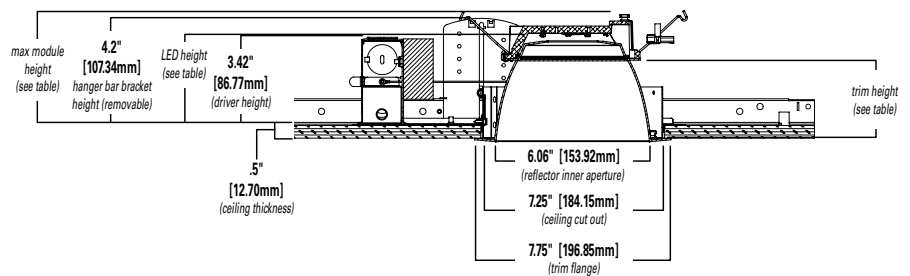
## DIMENSIONS



NEW CONSTRUCTION - HIGH LUMEN  
3000 AND 4000 LUMEN



NEW CONSTRUCTION - LOW LUMEN  
1000, 1500, AND 2000 LUMENS



High Lumen (3000 & 4000 Lumens)

Distribution	Max. Module Height	Trim Height	LED Height
Narrow	6.6"	3.4"	3.8"
Medium	6.7"	3.5"	3.9"
Wide	6.5"	3.3"	3.7"
Baffle	6.5"	3.3"	3.7"

Low Lumen (1000, 1500 & 2000 Lumens)\*

Distribution	Max. Module Height	Trim Height	LED Height
Narrow	4.5"	3.4"	3.8"
Medium	4.6"	3.5"	3.9"
Wide	4.4"	3.3"	3.7"
Baffle	4.4"	3.3"	3.7"

\*Max. height w/hanger bar bracket 4.2"

## Ordering Information

**Sample Number:** HC620D010REM7 – HM612835 - 61MDC

A complete luminaire consists of a housing frame, LED module, and reflector (ordered separately)

Mounting Frame	Lumens	Input / Control	Options	Accessories
<p><b>HC6</b> = 6" new construction and remodeler housing</p> <p><b>HC6CP</b> = 6" new construction and remodeler housing, CCEA Chicago Plenum rated</p>	<p><b>10</b> = 1000 lumens (nominal)</p> <p><b>15</b> = 1500 lumens (nominal)</p> <p><b>20</b> = 2000 lumens (nominal)</p> <p><b>30</b> = 3000 lumens (nominal)</p> <p><b>40</b> = 4000 lumens (nominal)</p>	<p><b>D010</b> = 120-277VAC 50/60Hz 0-10V analog 1%-100% dimming</p> <p><b>D010347</b> = 347VAC 50/60Hz 0-10V analog 1%-100% dimming (Canada only) <sup>1</sup></p>	<p><b>REM7</b> = 7 watt emergency module with remote test / indicator light, use with D010 only <sup>1</sup></p> <p><b>REM14</b> = 14 watt emergency module with remote test / indicator light, use with D010 only <sup>1</sup></p> <p><b>IEM7</b> = integral 7 watt emergency module with integral test / indicator light, use with D010 only <sup>1</sup></p> <p><b>IEM14</b> = integral 14 watt emergency module with integral test / indicator light, use with D010 only <sup>1</sup></p> <p><b>LWTPD1</b> = factory installed LumaWatt Pro wireless tile mount sensor kit, use with D010 only <sup>1</sup></p> <p><b>SWPD1</b> = factory installed WaveLinX tile mount daylight sensor, includes control module, sensor, and cable, use with D010 only <sup>1</sup></p>	<p><b>HB128APK</b> = L channel hanger bar, 26", pair (replacement)</p> <p><b>RMB22</b> = Adjustable wood joist mounting bars, pair, extend to 22" long</p> <p><b>H347</b> = 347 to 120V step down transformer, 75VA</p> <p><b>H347200</b> = 347 to 120V step down transformer, 200VA</p> <p><b>PORLWTPD1</b> = Field installed LumaWatt Pro wireless sensor kit, use with D010 only <sup>1</sup></p> <p><b>TMSWPD1</b> = Field installed WaveLinX wireless sensor kit, use with D010 only <sup>1</sup></p>
		<p><b>DLV</b> = Distributed Low Voltage driver, 1%-100% dimming DLV for use with Eaton's DLVP system only. Refer to DLVP low-voltage power module and DLVP specifications for details. <sup>1</sup></p>	<p><b>REM7</b> = 7 watt emergency module with remote test / indicator light, use with DLV only <sup>1, 2</sup></p> <p><b>REM14</b> = 14 watt emergency module with remote test / indicator light, use with DLV only <sup>1, 2</sup></p> <p><b>IEM7</b> = integral 7 watt emergency module with integral test / indicator light, use with DLV only <sup>1, 2</sup></p> <p><b>IEM14</b> = integral 14 watt emergency module with integral test / indicator light, use with DLV only <sup>1, 2</sup></p>	

LED Module	Lumens	CRI/CCT
<p><b>HM6</b> = 6" LED module</p>	<p><b>12</b>=1000, 1500 and 2000 lumens (nominal), use with HC610*, HC615*, HC620* housings</p> <p><b>34</b>=3000 and 4000 lumens (nominal), use with HC630*, HC640* housings</p>	<p><b>827</b> = 80 CRI (minimum), 2700K CCT</p> <p><b>830</b> = 80 CRI (minimum), 3000K CCT</p> <p><b>835</b> = 80 CRI (minimum), 3500K CCT</p> <p><b>840</b> = 80 CRI (minimum), 4000K CCT</p> <p><b>927</b> = 90 CRI (minimum), 2700K CCT</p> <p><b>930</b> = 90 CRI (minimum), 3000K CCT</p> <p><b>935</b> = 90 CRI (minimum), 3500K CCT</p> <p><b>940</b> = 90 CRI (minimum), 4000K CCT</p>

Reflector	Distribution <sup>3</sup>	Finish	Flange	Accessories
<p><b>61</b> = 6" conical reflector</p>	<p><b>ND</b> = narrow 55° beam angle 0.97 SC</p> <p><b>MD</b> = medium 60° beam angle 1.10 SC</p> <p><b>WD</b> = wide 65° beam angle 1.28 SC</p> <p><b>RWW</b> = rotatable wall wash with linear spread lens</p>	<p><b>C</b> = Specular clear</p> <p><b>H</b> = Semi-specular clear</p> <p><b>W</b> = White (white flange)</p>	<p><b>Blank</b> = Polished flange standard with C &amp; H reflectors</p> <p><b>Blank</b> = White flange standard with W reflector</p> <p><b>WF</b> = White flange option available with C &amp; H reflectors</p>	<p><b>61RWWPK</b> = rotatable wall wash insert for 6" reflector –replacement part kit</p>

Baffle	Distribution <sup>3</sup>	Finish	Flange	Accessories
<p><b>61</b> = 6" baffle reflector</p>	<p><b>WD</b> = wide 65° beam angle 1.28 SC (nominal)</p> <p><b>RWW</b> = rotatable wall wash with linear spread lens</p>	<p><b>BB</b> = Black baffle (white flange)</p> <p><b>WB</b> = White baffle (white flange)</p>	<p><b>Blank</b> = White flange standard with BB, &amp; WB</p>	<p><b>61RWWPK</b> = rotatable wall wash insert for 6" reflector –replacement part kit</p>

IEM Reflector	Distribution <sup>3</sup>	Finish	Flange	Integral Emergency
<p><b>61</b> = 6" IEM reflector for integral emergency only</p>	<p><b>ND</b> = narrow 55° beam angle 0.97 SC</p> <p><b>MD</b> = medium 60° beam angle 1.10 SC</p> <p><b>WD</b> = wide 65° beam angle 1.28 SC</p>	<p><b>C</b> = Specular clear</p> <p><b>H</b> = Semi-specular clear</p> <p><b>W</b> = White (white flange)</p>	<p><b>Blank</b> = Polished flange standard with C &amp; H reflectors</p> <p><b>Blank</b> = White flange standard with W reflector</p> <p><b>WF</b> = White flange option available with C &amp; H reflectors</p>	<p><b>IEM</b> = Reflector for integral emergency only</p>

IEM Baffle	Distribution <sup>3</sup>	Finish	Flange	Integral Emergency
<p><b>61</b> = 6" IEM baffle reflector for integral emergency only</p>	<p><b>WD</b> = wide 65° beam angle 1.28 SC (nominal)</p>	<p><b>BB</b> = Black baffle (white flange)</p> <p><b>WB</b> = White baffle (white flange)</p>	<p><b>Blank</b> = White flange standard with BB, &amp; WB</p>	<p><b>IEM</b> = Reflector for integral emergency only</p>

Reflector	Distribution <sup>3</sup>	Finish	Flange
<p><b>61PS</b> = 6" non-conductive polymer 'dead front' conical reflector<sup>4</sup></p>	<p><b>MD</b> = medium 60° beam angle 1.10 SC (nominal)</p>	<p><b>W</b> = White (white flange)</p>	<p><b>Blank</b> = White flange standard with W reflector</p>

**Notes:**

- Not available with CP version
- ULus for U.S. only
- Values are nominal, with specular clear reflector, other finishes and field results may vary.
- 61PS reflector is for Non-IC environment only, and up to 3000 lumens only.

## PHOTOMETRY

### NARROW DISTRIBUTION - SPECULAR CLEAR FINISH, 2000 LUMEN MODEL, 80 CRI, 3500K

NARROW (55° BEAM*)		CANDLEPOWER DISTRIBUTION		CONE OF LIGHT				CANDELA TABLE		ZONAL LUMEN SUMMARY			LUMINANCE	
Test Number	P285970							Degrees Vertical	Candela	Zone	Lumens	% Fixture	Average Candela Degrees	Average 0° Luminance
Housing	HC620D010							0	1962	0-30	1385	72.1	45	8706
Module	HM612835							5	1962	0-40	1796	93.5		
Reflector	61NDC							15	1975	0-60	1915	99.7		
Lumens	1920 Lm							25	1434	0-90	1920	100		
Efficacy	96 Lm/W	35	671	90-180	0	0								
SC	0.97	45	112	0-180	1920	100	75	551						
UGR	11.7	55	13	85	0		85	0						
		65	3	90	0									
		75	3											
		85	0											
		90	0											

### MEDIUM DISTRIBUTION - SPECULAR CLEAR FINISH, 2000 LUMEN MODEL, 80 CRI, 3500K

MEDIUM (60° BEAM*)		CANDLEPOWER DISTRIBUTION		CONE OF LIGHT				CANDELA TABLE		ZONAL LUMEN SUMMARY			LUMINANCE	
Test Number	P286170							Degrees Vertical	Candela	Zone	Lumens	% Fixture	Average Candela Degrees	Average 0° Luminance
Housing	HC620D010							0	1642	0-30	1387	70.8	45	9296
Module	HM612835							5	1660	0-40	1821	93		
Reflector	61MDC							15	1854	0-60	1951	99.6		
Lumens	1959 Lm							25	1576	0-90	1959	100		
Efficacy	97.9 Lm/W	35	699	90-180	0	0								
SC	1.10	45	120	0-180	1959	100	75	551						
UGR	11.8	55	15	85	0		85	0						
		65	5	90	0									
		75	3											
		85	0											
		90	0											

### WIDE DISTRIBUTION - SPECULAR CLEAR FINISH, 2000 LUMEN MODEL, 80 CRI, 3500K

WIDE (65° BEAM*)		CANDLEPOWER DISTRIBUTION		CONE OF LIGHT				CANDELA TABLE		ZONAL LUMEN SUMMARY			LUMINANCE	
Test Number	P286370							Degrees Vertical	Candela	Zone	Lumens	% Fixture	Average Candela Degrees	Average 0° Luminance
Housing	HC620D010							0	1341	0-30	1282	62.7	45	15614
Module	HM612835							5	1349	0-40	1835	89.7		
Reflector	61WDC							15	1466	0-60	2037	99.6		
Lumens	2045 Lm							25	1642	0-90	2045	100		
Efficacy	102.3 Lm/W	35	877	90-180	0	0								
SC	1.28	45	201	0-180	2045	100	75	530						
UGR	11.6	55	28	85	0		85	0						
		65	5	90	0									
		75	2											
		85	0											
		90	0											

\*Value are nominal with specular clear reflectors, other finishes and field results may vary.  
SC = Spacing Criteria  
UGR = Unified Glare Rating

#### Photometric Multipliers (nominal lumen values)

1000 Lumen	1500 Lumen	2000 Lumen	3000 Lumen	4000 Lumen
0.52	0.72	1.00	1.44	2.02

Multipliers for relative lumen values with other series models.

#### CCT Multipliers – 80CRI

2700K	3000K	3500K	4000K
0.93	0.95	1.00	1.05

Multipliers for relative lumen values with other series color temperatures.

#### Color Finish Multipliers

Finish code	C	H	W/WB	BB
Finish	Specular Clear	Semi-Specular	Matte White White Baffle	Black Baffle
Multiplier	1.00	0.91	0.92	0.84

Multipliers for relative lumen values with other color finishes.

#### CCT Multipliers – 90CRI

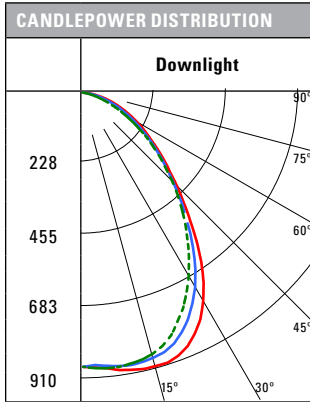
2700K	3000K	3500K	4000K
0.75	0.82	0.90	0.89

Multipliers for relative lumen values with other series color temperatures.

## PHOTOMETRY

### WALL WASH DISTRIBUTION - SPECULAR CLEAR FINISH, 2000 LUMEN MODEL, 80 CRI, 3500K

WALL WASH	
Test Number	P286650
Housing	HC620D010
Module	HM612835
Reflector	61RWWC
Lumens	1798 Lm
Efficacy	89.9 Lm/W
SC	1.23



CANDELA TABLE	
Degrees Vertical	Candela
0	882
5	890
15	910
25	854
35	665
45	431
55	270
65	161
75	74
85	10
90	0

ZONAL LUMEN SUMMARY		
Zone	Lumens	% Fixture
0-30	696	38.7
0-40	1079	60
0-60	1629	90.6
0-90	1798	100
90-180	0	0
0-180	1798	100

LUMINANCE	
Average Candela Degrees	Average 0° Luminance
45	33399
55	25825
65	20832
75	15653
85	6416

SC = Spacing Criteria, nominal for specular clear reflector, other finishes and field results may vary.

SINGLE UNIT FOOTCANDLES							
2.5' from wall (distance from fixture along wall)							
1	16.8	12	5.4	2	0.7	0.2	0.1
2	24.7	19.2	10.5	4.9	2.2	1	0.5
3	22.8	18.6	11.4	6.2	3.2	1.7	0.9
4	17.5	15	10.3	6.2	3.6	2	1.2
5	11.9	10.7	8.2	5.5	3.4	2.1	1.3
6	8	7.4	6.1	4.5	3.1	2	1.3
7	5.5	5.2	4.5	3.6	2.6	1.9	1.3
8	3.9	3.7	3.3	2.8	2.2	1.6	1.2
9	2.8	2.7	2.5	2.2	1.8	1.4	1.1
10	2.1	2	1.9	1.7	1.5	1.2	0.9

MULTIPLE UNIT FOOTCANDLES								
2.5' from wall (distance from fixture along wall)			2.5' from wall (distance from fixture along wall)					
3			4					
1	18.8	16.6	18.8	17.5	10.7	17.5		
2	29.5	29.2	29.5	26.8	20.9	26.8		
3	29	29.8	29	26	22.9	26		
4	23.7	25.3	23.7	21	20.5	21		
5	17.4	19.2	17.4	15.4	16.3	15.4		
6	12.5	13.7	12.5	11.1	12.2	11.1		
7	9.1	9.8	9.1	8.1	9	8.1		
8	6.7	7.1	6.7	6.1	6.7	6.1		
9	5	5.3	5	4.6	5	4.6		
10	3.8	4	3.8	3.5	3.8	3.5		

#### Photometric Multipliers (nominal lumen values)

1000 Lumen	1500 Lumen	2000 Lumen	3000 Lumen	4000 Lumen
0.52	0.72	1.00	1.44	2.02

Multipliers for relative lumen values with other series models.

#### Color Finish Multipliers

Finish code	C	H	W/WB	BB
Finish	Specular Clear	Semi-Specular	Matte White White Baffle	Black Baffle
Multiplier	1.00	0.91	0.92	0.84

Multipliers for relative lumen values with other color finishes.

#### CCT Multipliers – 80CRI

2700K	3000K	3500K	4000K
0.93	0.95	1.00	1.05

Multipliers for relative lumen values with other series color temperatures.

#### CCT Multipliers – 90CRI

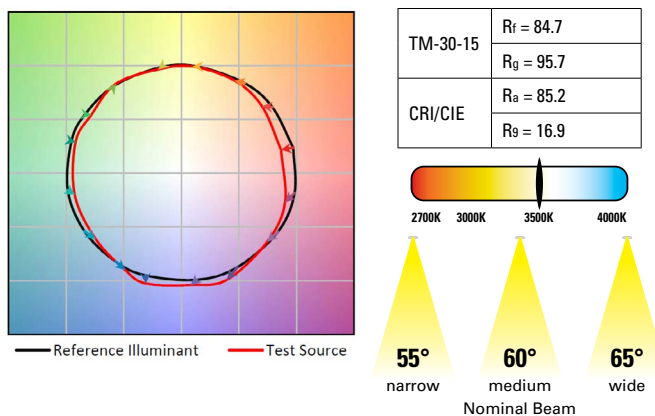
2700K	3000K	3500K	4000K
0.75	0.82	0.90	0.89

Multipliers for relative lumen values with other series color temperatures.

## COLOR METRICS

### TM-30-15 & CRI/CIE (3500K)

#### 80 CRI Color Metric Summary - 3500K\*



#### 90 CRI Color Metric Summary - 3500K\*

