

DESCRIPTION

High efficiency, low brightness 6-inch aperture wide beam reflector for use with compact fluorescent lamps. The precisely formed non-imaging optical reflector ensures 60° cutoff to lamp and lamp image and the one piece design eliminates light leaks at the ceiling. Adjustable socket locks lamp into optimal position and cannot be disturbed by normal maintenance. Standard features include low iridescent finish on all reflector colors and venting to ensure maximum lamp life and lumen output. Optics offer unparallelled performance in glare free lighting with a smooth beam devoid of hot spots. Medium beam, wide beam, lensed, and open wall wash reflectors are interchangeable within the same housing.

Catalog #	CD6042E	Type
Project		
Comments		Date
Prepared by		

SPECIFICATION FEATURES

Optical Reflector

.050 thick aluminum, in a one piece spun parabolic contour. Available in a variety of Alzak® finishes. Also available with white or black baffle. Positive reflector mounting, without tools, pulls trim tight to ceiling.

Trim Ring Options

Self flanged or molded white trim ring. Rimless trim ring accessory available.

Socket Cap

One piece vented and finned die cast aluminum cap for maximum thermal performance.

Mechanical Housing Mounting Frame

One piece precision die cast aluminum 1-1/2" deep collar accommodates varying dimensions of ceiling materials.

Universal Mounting Bracket

Accepts 1/2" EMT, C Channel, T bar fasteners, and bar hangers. Adjusts 5" vertically from above or below ceiling.

Conduit Fittings

Die cast screw tight connectors.

Junction Box

Listed for eight #12AWG (four in, four out) 90°C conductors feed through branch wiring. 1/2" and two 3/4" pry outs. Positioned to allow straight conduit runs. Access to junction box by removing reflector.

Socket

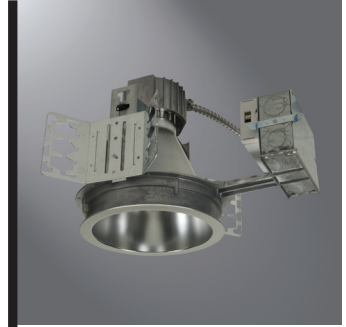
4-pin fatigue free stainless steel lamp spring ensures positive lamp retention.
26/32/42W GX24q3/4
18W G24q2
13W G24q1

Electronic Ballast with Quick Disconnect

Electronic ballast provides full light output and rated lamp life. Provides flicker free and noise free operation and starting. End of lamp life protection is standard.

Labels

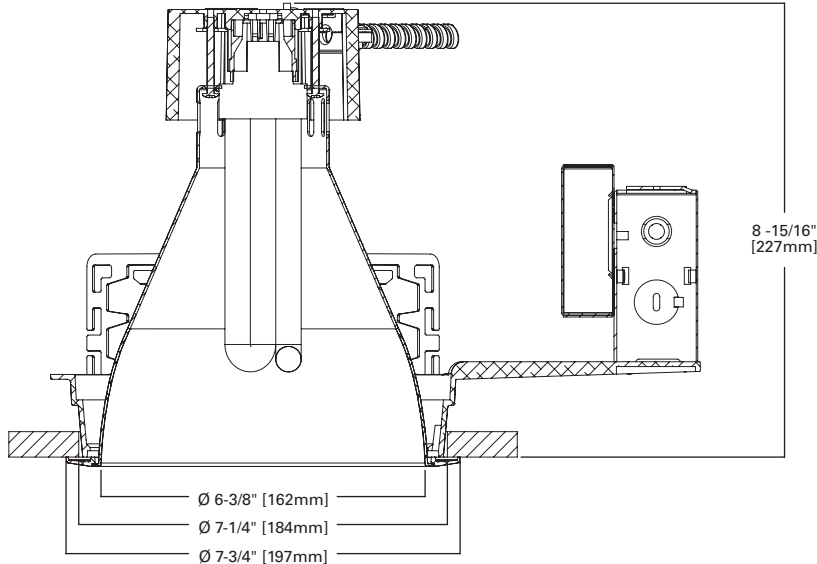
cULus listed, standard damp label Electronic ballast housings include peel down wattage label from 42W down to 26W allowing de-rating to meet max wattage requirements. Meets IECC, ASHRAE, and Title 24 commercial standards.



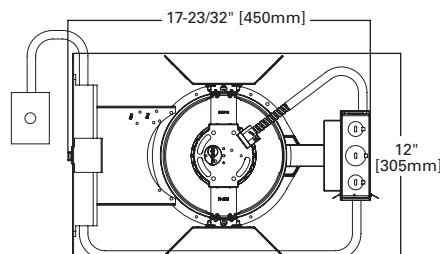
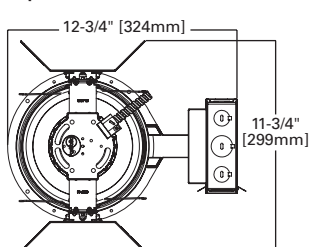
CD6013
CD6018
CD6042
6CV142W

13 or 18W
26/32/42W TTT or PLT
Compact Fluorescent

6-Inch Vertical
Medium Beam Downlight



Top View



(with EM option)

ENERGY DATA	
13W DTT	
Ballast: Electronic	
120V Input Watts: 16	Line Amps: 0.13
277V Input Watts: 16	Line Amps: 0.05
18W DTT	
Ballast: Electronic	
120V Input Watts: 19	Line Amps: 0.15
277V Input Watts: 19	Line Amps: 0.07
26W TTT	
Ballast: Electronic	
120V Input Watts: 27	Line Amps: 0.23
277V Input Watts: 29	Line Amps: 0.11
32W TTT	
Ballast: Electronic	
120V Input Watts: 36	Line Amps: 0.31
277V Input Watts: 36	Line Amps: 0.13
42W TTT	
Ballast: Electronic	
120V Input Watts: 46	Line Amps: 0.38
277V Input Watts: 46	Line Amps: 0.17
Power Factor: >0.99	THD: <10%
Min. Starting Temperature: -18°C (0°F)	
Sound Rating: Class A Standards	

NOTES: Accessories should be ordered separately. For additional options, please consult your Cooper Lighting Representative. Alzak is a registered trademark of Aluminum Company of America.



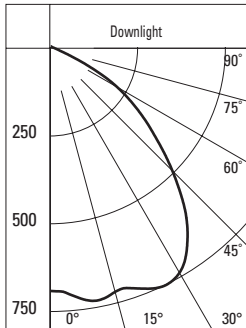
EXAMPLE: CD6042E 6CV142W1LI

Housing	Ballast	Options	Trims	Finish	Option	Accessories
<p>CD6013=6" vertical 13W TTT lamp</p> <p>CD6018=6" vertical 18W TTT lamp</p> <p>CD6042=6" vertical 26/32/42 TTT lamp</p>	<p>E=120/277V 50/60 Hz Electronic</p> <p>3E=347V 50/60 Hz Electronic</p> <p>EDR26=26W Derated label electronic</p> <p>EDR32=32W Derated label electronic</p> <p>D5LT=18W 120-277V Fifth Light (DALI Dimming) (CD6018 only)</p> <p>D5LT42=42W 120-277V Fifth Light (DALI) Dimming (CD6042 only)</p> <p>D5LT32=32W 120-277V Fifth Light (DALI) Dimming (CD6042 only)</p> <p>D5LT26=26W 120-277V Fifth Light (DALI) Dimming (CD6042 only)</p> <p>3D5LT42=42W 347V Fifth Light (CD6042 only)</p> <p>3D5LT32=32W 347V Fifth Light (DALI) Dimming (CD6042 only)</p> <p>3D5LT26=26W 347V Fifth Light (DALI) Dimming (CD6042 only)</p> <p>D42=42W 120-277V Dimming Lutron EcoSystem/3-Wire Control (Factory Wired for 3-Wire)</p> <p>D26/32=26 or 32W 120-277V Dimming Lutron EcoSystem/3-Wire Control (Factory Wired for 3-Wire)</p> <p>D=120-277V Dimming Lutron EcoSystem/3-Wire Control (Factory Wired for 3-Wire)</p> <p>D26MARKVII=26W 120-277V Advance MARK7</p> <p>D32MARKVII=32W 120-277V Advance MARK7</p> <p>D42MARKVII=42W 120-277V Advance MARK7</p> <p>DMARKVII=18W 120-277V Advance MARK 7 (CD6018 only)</p> <p>1D26MARKX=26W 120V Advance MARK 10</p> <p>1D32MARKX=32W 120V Advance MARK 10</p> <p>1D42MARKX=42W 120V Advance MARK 10</p> <p>2D26MARKX=26W 277V Advance MARK 10</p> <p>2D32MARKX=32W 277V Advance MARK 10</p> <p>2D42MARKX=42W 277V Advance MARK 10</p> <p>1DMARKX=18W 120V Advance MARK 10 (CD6018 only)</p> <p>2DMARKX=18W 277V Advance MARK 10 (CD6018 only)</p>	<p>CP=Chicago Plenum</p> <p>EM=Emergency Module with remote test switch ²</p> <p>IEM=Emergency Module with Integral Test Switch ²</p>	<p>6CV142W1=6" wide beam reflector self flanged</p> <p>6CV142W0=6" wide beam reflector polymer trim ring</p> <p>6CV142W1E=6" wide beam reflector self flanged, for intergral emergency</p> <p>6CV142W0E=6" wide beam reflector polymer trim ring, for intergral emergency</p>	<p>Alzak® Finishes</p> <p>LI=Specular Clear</p> <p>H=Semi-Specular Clear</p> <p>WMH=Warm Haze</p> <p>G=Gold</p> <p>WH=Wheat</p> <p>WHH=Wheat Haze</p> <p>GP=Graphite</p> <p>GPH=Graphite Haze</p> <p>B=Black</p> <p>Painted Finishes</p> <p>WB=Gloss White</p> <p>WB=White Baffle (polymer trim ring only)</p> <p>BB=Black Baffle (polymer trim ring only)</p>	<p>WF=White Painted Flange</p>	<p>HB26=C Channel Bar Hangers, 26" Long, Pair</p> <p>HB50=C Channel Bar Hangers, 50" Long, Pair</p> <p>TRRC6=Rimless Trim Ring, White ¹</p> <p>FK5=5 Amp Field Installable Fuse Kit 300V Max</p> <p>RMB22=Wood Joist Bar Hanger, 22" Long, Pair</p> <p>HSAC6=Slope Adapter for 6" Aperture Housings, Specify Slope</p> <p>TRMC6=CFL Metal Trim Ring ¹</p>

Notes: ¹ Order trim with polymer trim ring. ² Not available with Chicago Plenum. (Consult specification sheet for ordering information and options).

PHOTOMETRICS

Candlepower Distribution Curve



Test No. P13273
 CD6042E 6CV142W1LI
 Lumens = 2400
 Efficiency = 73%
 Lamp = 32W TTT

Cone of Light

Distance Fixture to Lighted Plane	Initial Footcandles at Nadir	Beam Diameter
5.5'	23	7.8'
7.5'	13	10.8'
8'	11	11.4'
10'	7	14.4'
12'	5	17.2'

Candela Distribution

Degrees Vertical	Candela
0	692
5	707
15	718
25	750
35	677
45	483
55	290
65	68
75	4
85	1
90	0

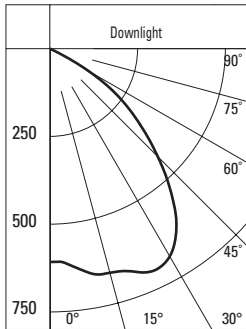
Zonal Lumen Summary

Zone	Lumens	%Fixture
0-30	618	35.3
0-40	1040	59.4
0-60	1671	95.4
0-90	1752	100.0
90-180	0	0.0
0-180	1752	100.0

Luminance

Average Candela/M ²	
Degrees	Avg. 0° Luminance
45	33158
55	24543
65	7811
75	750
85	557

Candlepower Distribution Curve



Test No. P13388
 CD6042E 6CV142W1LI
 Lumens = 2400
 Efficiency = 0.639
 Lamp = 32W PLT

Cone of Light

Distance Fixture to Lighted Plane	Initial Footcandles at Nadir	Beam Diameter
5.5'	20	8'
7.5'	11	11'
8'	10	11.8'
10'	6	14.8'
12'	4	17.8'

Candela Distribution

Degrees Vertical	Candela
0	603
5	613
15	656
25	693
35	623
45	431
55	239
65	22
75	2
85	0
90	0

Zonal Lumen Summary

Zone	Lumens	%Fixture
0-30	564	36.8
0-40	951	62.0
0-60	1496	97.5
0-90	1534	100.0
90-180	0	0.0
0-180	1534	100.0

Luminance

Average Candela/M ²	
Degrees	Avg. 0° Luminance
45	29588
55	20227
65	2527
75	375
85	0