

Leviton's OSP20-RDH/RNH Super Duty Power Pack

Combines transformer relay functions, occupancy sensor control, and manual/automatic operation into a single high performance unit



DEFINITION

The OSP20-RDH/RNH is the latest in the Leviton power pack family, providing a wide array of switching solutions into a single unit. Exclusive Leviton High Inrush Stability (H.I.S.™) circuitry is specifically designed to handle today's high inrush electronic ballast loads and offer unmatched durability and service.

APPLICATIONS

Use a Leviton Power Pack with Leviton Occupancy Sensors in the following applications:

- Bi-level lighting applications
- Classrooms
- Conference Rooms
- Offices
- Load Shed/Interface Hold OFF Applications
- Retail Hold ON/Bypass Applications
- Anywhere optimal lighting and energy savings are desired

FEATURES

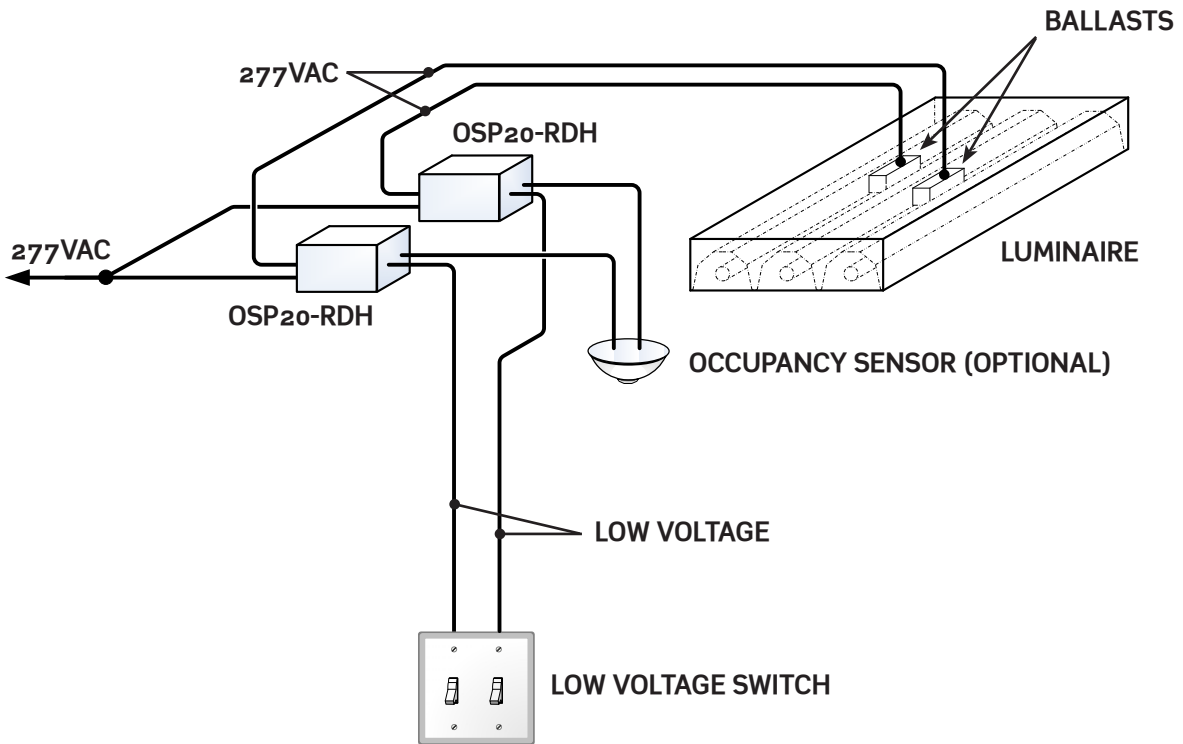
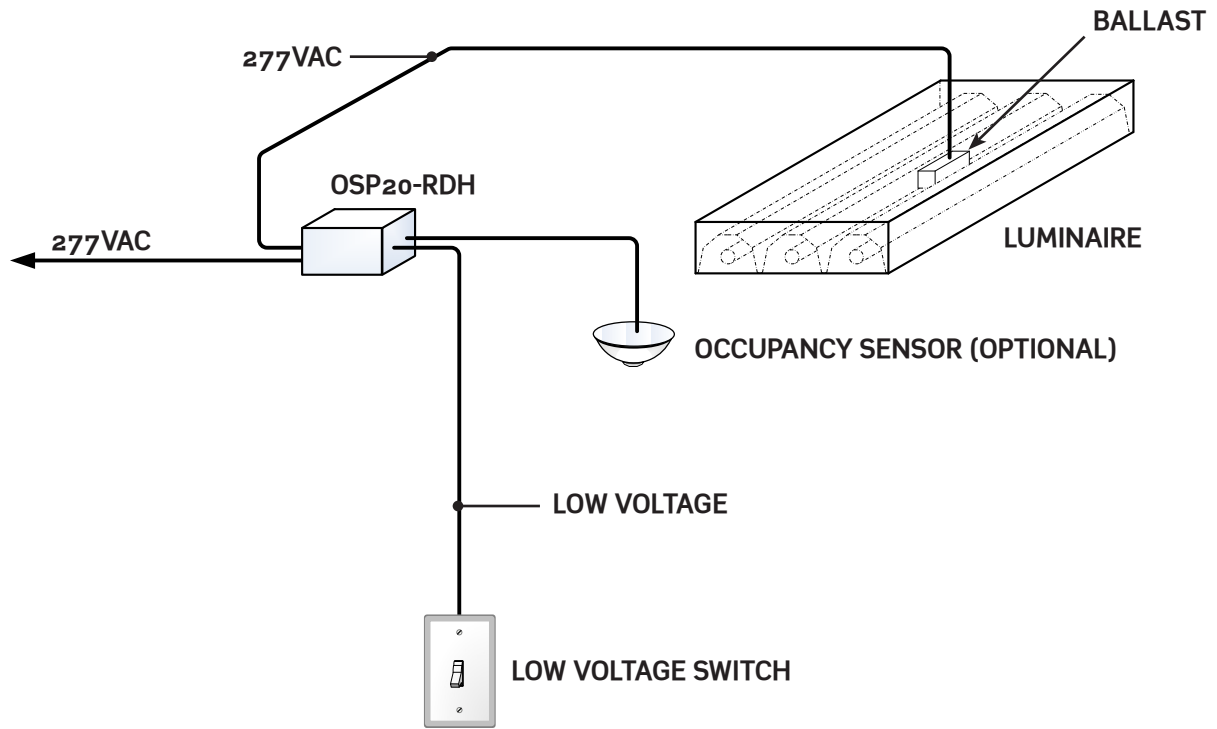
- Extreme durability: exceeds WS-896 Federal Specification duty cycle requirements for specification grade toggle switches.
- Exclusive H.I.S. (High Inrush Stability) circuit designed to handle high inrush electronic ballast loads, including the latest T5HO and T4 ballasts.
- Zero crossing design for reliability and extended life.
- Mechanical latching relay for dependability and robust for all load types
- Return-to-on design provides fail safe operation in the event of power loss or malfunction.
- Transformer Relay Function: OSP20-RDH/RNH replaces traditional transformer relays and provides occupancy sensors control. Ideal for use where code requirements/jurisdictions prohibit the use of 277V switch legs.
- Manual-ON or Automatic-ON functionality for use in bi-level lighting control per CEC Title 24 requirements.
- UL 2043 Plenum Rated
- Endurance tested to over 1,000,000 cycles at full load.
- Integrates with low voltage momentary and maintained switches to control occupancy sensors.
- Conduit adaptor included for low voltage connections.
- Patent pending

Leviton Mfg. Co., Inc. Lighting Management Systems

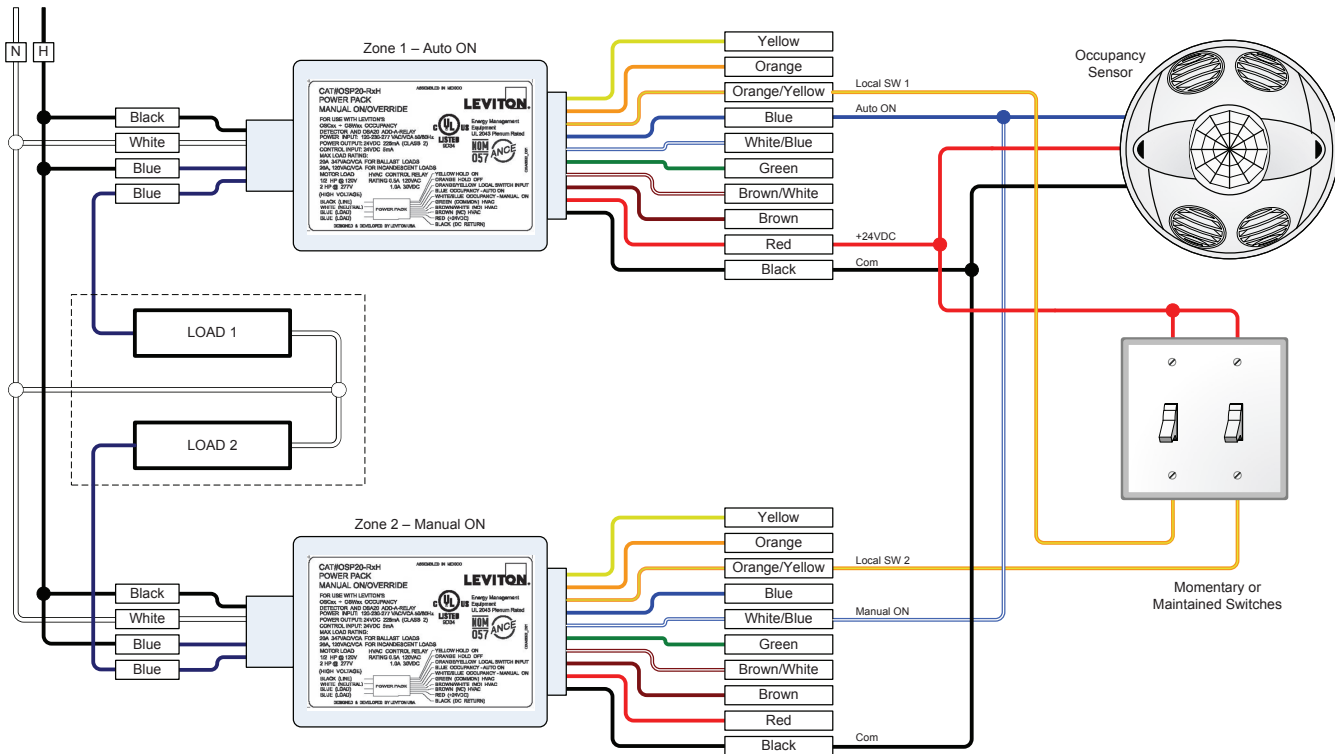
20497 SW Teton Avenue, Tualatin, OR 97062 1-800-736-6682 Tech Line: 1-800-959-6004 Fax: 503-404-5594 www.leviton.com/lms
© 2010 Leviton Manufacturing Co., Inc. All rights reserved. Subject to change without notice.

PRODUCT BULLETIN

TRANSFORMER RELAY APPLICATION DIAGRAM



BI-LEVEL SWITCHING DIAGRAM



OSP20-RDH • OSP20-RNH

Leviton Mfg. Co., Inc. Lighting Management Systems

20497 SW Teton Avenue, Tualatin, OR 97062 1-800-736-6682 Tech Line: 1-800-959-6004 Fax: 503-404-5594 www.leviton.com/lms
 © 2010 Leviton Manufacturing Co., Inc. All rights reserved. Subject to change without notice.

ORDERING INFORMATION

DESCRIPTION	CAT. NO.	POWER INPUT	RELAY RATING	CONTROL INPUT	POWER SUPPLY OUTPUT
Power Pack	OSP20-oDo (OSP20-NDo NAFTA)	120-230-277VAC, 50/60 Hz	20A fluorescent/incandescent @ 120V, 20A fluorescent @ 230-277V; 1HP @ 120V, 2HP @ 240V	5mA, 24VDC	150mA, 24VDC
Power Pack with Dry Contact	OSP20-RDo (OSP20-NHo NAFTA)	120-230-277VAC, 50/60 Hz	20A fluorescent/incandescent @ 120V, 20A fluorescent @ 277V; 1HP @ 120V, 2HP @ 240V; HVAC: 0.5A @ 120VAC, 1A @ 30VDC	5mA, 24VDC	150mA, 24VDC
Power Pack with Dry Contact	OSP15-R30	347VAC, 60 Hz	15A fluorescent @ 347V; 1HP @ 120V, 2HP @ 240V; HVAC: 0.5A @ 120VAC, 1A @ 30VDC	5mA, 24VDC	120mA, 24VDC
Add-A-Relay Unit with Dry Contact	OSA20-R00 (OSA20-RNo NAFTA)	—	15A incandescent @ 120V, 20A fluorescent @ 120V, 20A fluorescent @ 277V, 15A fluorescent @ 347V; HVAC: 0.5A @ 120VAC, 1A @ 30VDC	5mA, 24VDC	—
Power Pack with Dry Contact Relay and Override Inputs for Occupancy Sensors	OSP20-RDH (OSP20-RNH NAFTA)	120-230-277VAC, 50/60Hz	20A fluorescent/incandescent @ 120V; 20A fluorescent @ 277V; 1HP @ 120V, 2HP @ 240V; HVAC: .05A @ 120VAC, 1A @ 20VDC and 15A fluorescent @ 347V; 1HP @ 120V; 2HP @ 240; HVAC: 0.5A @ 120V, 1A @ 30VDC	5mA, 24VDC	225mA, 24VDC

Made in US models available

POWER PACK CAPACITY FORMULA

Leviton power packs can be used to provide power to one or more occupancy sensors. Since current consumptions of occupancy sensors may vary, the best way to ensure you order the correct number of power packs and add-a-relays is by using this formula:

$$\begin{array}{|c|} \hline \# \text{ of sensor Model As} \\ \hline \times \\ \hline \text{Sensor A current consumption} \\ \hline \end{array}
 +
 \begin{array}{|c|} \hline \# \text{ of sensor Model Bs} \\ \hline \times \\ \hline \text{Sensor B current consumption} \\ \hline \end{array}
 +
 \begin{array}{|c|} \hline \# \text{ of Add a Relays} \\ \hline \times \\ \hline 50\text{mA} \\ \hline \end{array}
 < \text{ Power supply output per above chart}$$



DESCRIPTION	CURRENT CONSUMPTION
OSC04-I, OSC15-I	10mA
OSWHB-I, OSWLR-I, OSWWV-I	15mA
OSW12-M	25mA
OSC20-M, OSC20-U	30mA
OSC05-U, OSC05-M	32mA
OSC10-U, OSC10-M	40mA
OSA20-R Add-a-Relay	50mA

OSP20-RDH • OSP20-RNH

Leviton Manufacturing Co., Inc. Lighting Management Systems

20497 SW Teton Avenue, Tualatin, OR 97062
 Telephone: 1-800-736-6682 • FAX: 503-404-5594 • Tech Line (6:00AM-4:00PM P.S.T. Monday-Friday): 1-800-959-6004

Leviton Manufacturing of Canada, Ltd.

165 Hymus Boulevard, Pointe Claire, Quebec H9R 1E9 • Telephone: 1-800-469-7890 • FAX: 1-800-563-1853

Leviton S. de R.L. de C.V.

Lago Tana 43, Mexico DF, Mexico CP 11290 • Tel. (+52) 55-5082-1040 • FAX: (+52) 5386-1797 • www.leviton.com.mx

Visit our Website at: www.leviton.com/lms

© 2010 Leviton Manufacturing Co., Inc. All rights reserved. Subject to change without notice.