



FEATURES & SPECIFICATIONS

INTENDED USE — Ideal for applications requiring low-profile, attractive emergency lighting with normally-off or normally-on with photocell control. Provides a minimum of 90 minutes of illumination both indoors and outdoors upon loss of AC power. **Certain airborne contaminants can diminish the integrity of acrylic and/or polycarbonate.** [Click here for Acrylic-Polycarbonate Compatibility table for suitable uses.](#)

CONSTRUCTION — Compact, low-profile, architectural design with die-cast aluminum housing. Finishes are textured powder coat paint for white and dark bronze. Test switch and indicator light are both located on the bottom of the housing for unit and remote and is easily accessible and visible from the floor.

OPTICS — LEDs with life expectancy of L70 of 60,000 hours. Delivers 1275 lumens in Normal-On operation and 350 lumens in Emergency operation

Wide throw distribution: Outdoor wide throw distribution: 30' (3' path of egress) at a 7.5' mounting height with 1 FC Average.

5,000K correlated color temperature (CCT).

ELECTRICAL — MVOLT (120 thru 277V, 50/60Hz). Current-limiting charger maximizes battery life and minimizes energy consumption to provide low operating costs. Small Battery Chargers Certified in the CA Title 20 Appliance Efficiency Database.

Regulated charge voltage maintains a stable charge voltage over a wide range of line voltages. Prevents over/undercharging that shortens battery life and reduces capacity. Filtered charger input minimizes charge voltage ripple and extends battery life. Photocell feature standard for normally on product to discontinue illumination during periods when ambient light is present.

BATTERY: Sealed, maintenance-free nickel-cadmium.

SELF-DIAGNOSTICS (SD OPTION): Automatic 24-hour recharge after a 90-minute discharge. Advanced electrical design provides constant light output throughout the entire discharge period. Brownout protection is automatically switched to emergency mode when supply voltage drops below approximately 80 percent nominal of 120V. AC/LVD re-set allows battery connection before AC power is applied and prevents battery damage from deep discharge.

Self-Diagnostics: Continuously monitors AC functionality. Standard derangement monitoring will indicate disconnected battery, charger failure and displays green flashing indicator light while in emergency mode. Single multi-chromatic LED indicator to display two-state charging, test activation and three-state self-diagnostics.

Self-diagnostic testing: 30 seconds every 30 days and 90 minutes annually. Diagnostic evaluation of lamps, AC to DC transfer, battery charging and condition of microprocessor.

Manual testing: Test switch provides manual activation of 30-second/30-minute/90-minute diagnostic testing for on-demand visual inspection.

INSTALLATION — Wall mount: typically meets 7.5' to 14' mounting height from ground or floor. Power supplied by either mounting directly to a 4" square or 4" octagon j-box (wall mount) and accepts rigid or flex conduit.

LISTINGS — UL wet location listed standard at 32-122°F (0-50°C). Unit with CW (cold weather) listed for -22°F to 122°F (-30° to 50°C). Meets or exceeds all applicable requirements for UL 924, NFPA 101 (current Life Safety code), NFPA 70 (NEC), California Energy Commission Title 20 section 1605.3 (W)(4), FCC Title 47, Part 15, Subpart B and OSHA. Meets City of Chicago Code.

WARRANTY — 5-year limited warranty (Battery is pro-rated). Complete warranty terms located at: www.acuitybrands.com/CustomerResources/Terms_and_conditions.aspx

Note: Actual performance may differ as a result of end-user environment and application.

All values are design or typical values, measured under laboratory conditions at 25 °C.

Specifications subject to change without notice.

† Small Battery Chargers Certified in the CA Title 20 Appliance Efficiency Database.

Catalog Number
Notes
Type

AFFINITY® Die-Cast Architectural Emergency Light

AFO



MOUNTING

All dimensions are inches (centimeters).

Shipping weights:

Standard battery option: 4.4 lbs (2.0kg)

CW battery option : 4.6 lbs (2.1kg)

Length: 6 1/2 (16.51)

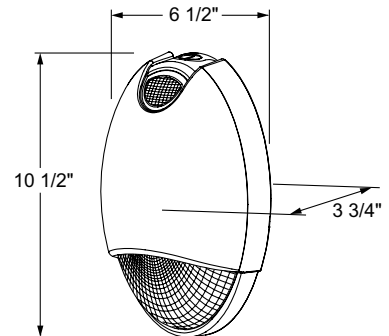
Depth: 3 3/4 (9.53)

Height: 10 1/2 (26.67)

Weights:

Standard battery option: 4.2 lbs (1.9kg)

CW battery option : 4.4 lbs (2.0kg)



SELF-POWERED MODELS

ORDERING INFORMATION

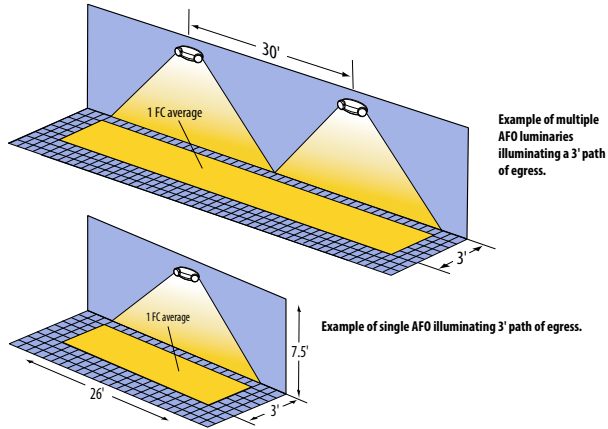
For the shortest lead times, configure product using **bolded options**.

Example: AFO DB MVOLT N SD CW

Series	Housing Color	Voltage	Battery Type	Automatic Testing	Options
AFO AFFINITY Oval	W White textured DB Dark bronze textured	MVOLT 120-277, 50/60Hz	N Nicad	SD Self-diagnostics	CW Cold Weather (-30 - 50C)

AFO Affinity® Oval Die-Cast Architectural Emergency Light

AFO SPACING GUIDELINES



Maximum Spacing Guidelines - AFO

Mounting Height	Illumination Level	Single Luminaire		Multiple Luminaire		Application Notes *
		3' Path of Egress	6' Path of Egress	3' Path of Egress	6' Path of Egress	
7.5'	1FC Avg	26'	20'	30'	26'	200' Open Space 80/50/20 reflectances
10'		14'	12'	22'	20'	
12'		N/A	N/A	18'	17'	
14'		N/A	N/A	14'	14'	

* Also meets the additional illumination requirements of NFPA 101: 1FC minimum and max/min ratio of 40:1.

SPECIFICATIONS

Electrical: Primary Circuit			
Battery Type	Input Voltage(V)	Input Current(A)	Watts(W)
N	120-277V	0.026	2.8
N CW	120-277V	0.026	2.8

BATTERY

Nicad					
Type	Voltage	Typical Shelf Life ¹	Typical Life ¹	Maintenance ²	Temperature range ^{3,4}
STD	4.8V	3 years	7-9 years	none	32 - 122°F (0 - 50°C)
CW	4.8V	3 years	7-9 years	none	-22 - 122°F (-30 - 50°C)

Notes

- At 77°F (25°C).
- Battery life is negatively impacted by many variables including temperature, charging rates, number of cycles and deep discharges due to long periods of time without AC power.
- All life safety equipment, including emergency lighting for path of egress must be maintained, serviced, and tested in accordance with all National Fire Protection Association (NFPA) and local codes. Failure to perform the required maintenance, service, or testing could jeopardize the safety of occupants and will void all warranties.
- Ambient temperature range where unit will provide capacity for 90 minutes. Higher and lower temperatures affect life and capacity. See option packages for expanded temperature ranges.