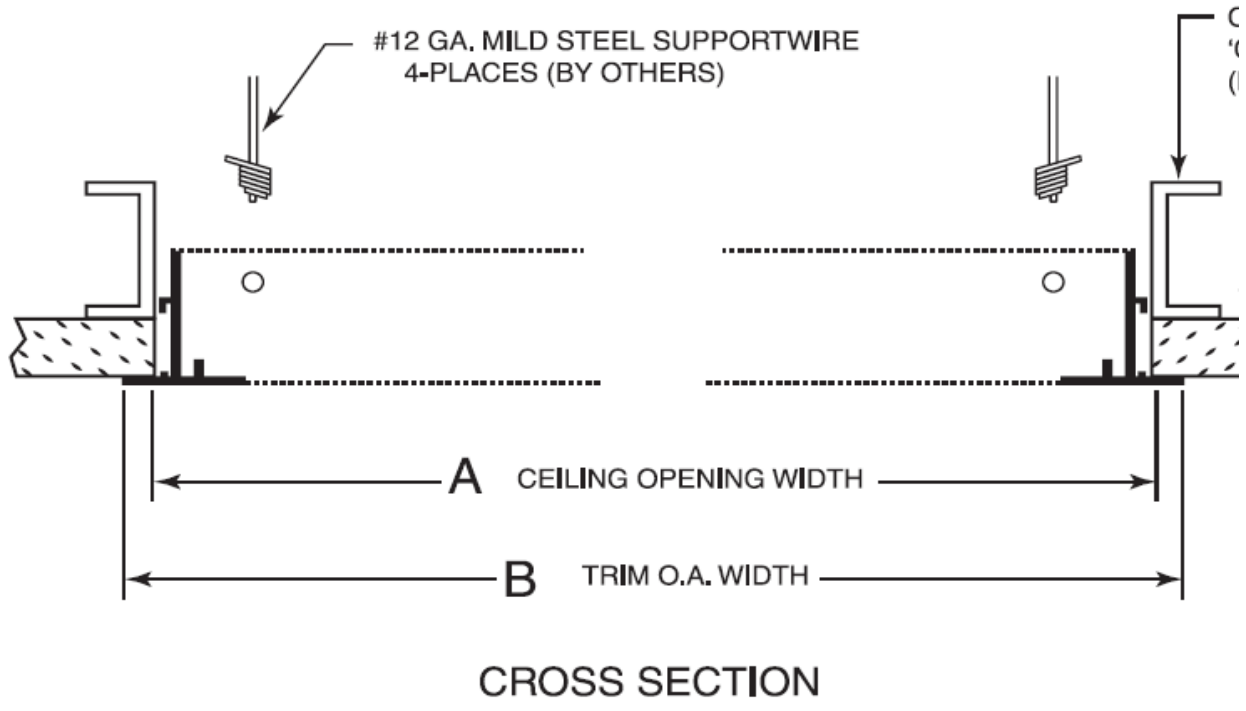


<i>RT5 fixture size</i>	<i>Rough-in opening for DGA accessor</i>
1' x 4'	12-7/8" x 48-7/8"
2' x 2'	24-7/8" x 24-7/8"
2' x 4'	24-7/8" x 48-7/8"



γ

CEILING SUPPORT  
C' SHAPE RUNNER  
BY OTHERS)

TILE (BY OTHERS)

