

FEATURES & SPECIFICATIONS

INTENDED USE — Recessed fluorescent wallwash system provides energy-efficient accent lighting. Provides maximum wall illumination with minimum brightness. Highlights artwork, signage and merchandise.

CONSTRUCTION — Eliminates hot spots, scalloping and shadows on vertical surfaces.

High performance; 92% of light output illuminates wall.

Choice of one or two T5 or T8 lamps. Companion fixture for compact lamps also available.

Ballast accessible from room side.

Reversible end-trim accommodates both grid and screw slot ceiling systems. Allows field conversion.

GF trim provides ceiling tile support for long sides.

T-bar hold-down clips supplied standard.

Materials: Housing formed from cold-rolled steel. No asbestos is used in this product.

Finish: Five-stage iron-phosphate pretreatment ensures superior paint adhesion and rust resistance. Painted parts finished with high-gloss, baked enamel.

OPTICS — Asymmetric-throw specular reflector completely surrounds lamp cavity.

Washes wall from floor to ceiling with maximum 6:1 difference in illumination (one-lamp fixture).

ELECTRICAL — Ballast: Thermally protected, resetting, Class P, HPF, non-PCB, UL-listed, CSA-certified ballast is standard. Sound rated A. Standard combinations are CBM-approved and conform to UL 935.

Wiring & Electrical: Fixture conforms to UL 1570 and is suitable for damp locations. AWM, TFN or THHN wire used throughout, rated for required temperatures.

INSTALLATION — Continuous row (grid application only) or unit installation.

DGA accessory available to provide trim flange and fixture support for unit mounting in plaster or plasterboard ceilings. For use with G trim fixture.

LISTINGS — UL listed and labeled. Listed and labeled to comply with Canadian and Mexican Standards (see options).

WARRANTY — 1-year limited warranty. Complete warranty terms located at www.acuitybrands.com/CustomerResources/Terms_and_conditions.aspx.

Note: Specifications subject to change without notice.

Catalog Number	WWG232MVOLTIRLSOS10ISX
Notes	
Type	

Perceiva® Wallwash

WW

2', 4' or 5' length
1 or 2 lamps, Rapid Start



ORDERING INFORMATION

For shortest lead times, configure products using **bolded options**.

Example: WW G 2 32 120 IRLS GEB10IS

Series	Mounting	Number of lamps	Lamp type	Voltage	Shielding	Options
WW	Wallwash, 12" aperture	G Grid trim ²	17 17W T8 (24")	120	IRLS Low iridescent specular silver	GEB10IS Electronic ballast, ≤10% THD, instant start
TWW	Tandem double length unit ¹	GF Grid flange ST Screw slot trim (Not included)	2 54T5HO 54W T5HO 28T5 28W T5	277 347 MVOLT ³ Others available.	IRLD Low iridescent diffuse silver	GEB10PS T5 and T8 electronic ballast, ≤10% THD, programmed start EL Emergency battery pack (nominal 300 lumens; see Life Safety Section) EL14 Self-contained emergency lighting, 1400 lumen output ⁴ GLR Internal fast-blow fuse ⁵ LP__ Lamped, specify lamp type and color PAF Post-painted white enamel CSA Listed and labeled to comply with Canadian Standards NOM Listed and labeled to comply with Mexican Standards

Notes

- Available on 2-foot units.
- Use G trim plus DGA accessory for fixture trim flange and fixture support in plaster or plasterboard ceilings.
- MVOLT 120-277V, 50-60 Hz operation.
- Not available in 347.
- Must specify voltage.
- Insert fixture width and length (in feet). Ex: **DGA12**.

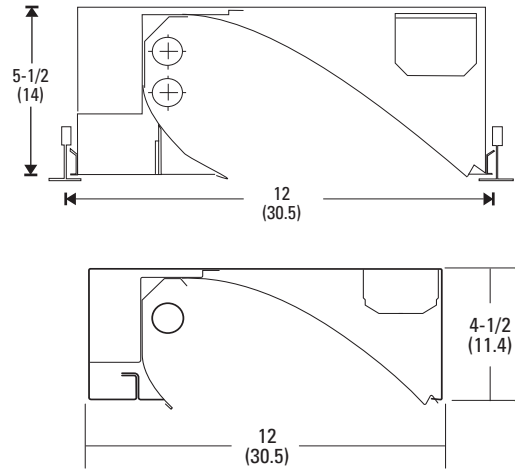
Accessories: Order as separate catalog number.
DGA__ Drywall ceiling adapter, unit installation ⁶

MOUNTING DATA

For unit or row installation, unit assumed. Wiring access plate supplied. Row installation is for grid option only.

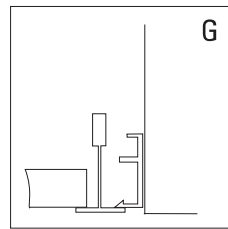
GF trim option provides trim for T-bar ceilings on ends plus flange trim to support ceiling tile on sides. Trim is factory-installed on both long sides and is field-removable to standard G trim. Unit installation only.

DGA accessory available to provide ceiling trim flange and fixture support for plaster or plasterboard ceiling. Rough opening for G trim fixtures with DGA accessory is 12-3/4" width x length. Length is determined by adding 3/4" to the nominal fixture length. Unit installation only.

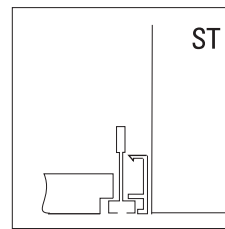


All dimensions are inches (centimeters).

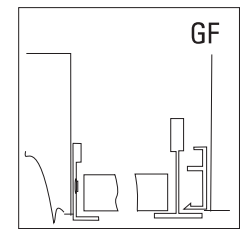
Mounting data ceiling type	Appropriate trim type
Exposed grid tee	G, GF
Concealed grid tee	G, ST
Screw slot (consult factory)	ST
Plaster or plasterboard	G*
*See DGA accessories	



LAY-IN TRIM,
exposed grid tee



SCREW SLOT TRIM,
fixture flush to ceiling



GRID ends,
flanged sides support tile

PHOTOMETRICS

Photometry derived in accordance with IESNA LM41 procedure. Vertical illuminance is calculated with fixture mounted 3' from wall, 4' on centers, at 10' ceiling height. Room reflectances are 80-50-20%. Full photometric data available upon request.

WW 132 IRLS

Report LTL 5472

Initial Point Illuminance On Wall (fc)

Luminaire Spacing	2'	3'	4'	5'	6'	7'	8'	9'	10'
Mounting Height 9.5'	37	38	38	39	39	39	39	39	39
8.5'	60	62	62	63	63	63	63	63	63
7.5'	51	53	54	54	55	55	55	55	55
6.5'	45	47	48	49	49	49	49	49	49
5.5'	38	40	41	42	42	43	43	43	43
4.5'	30	31	33	33	34	34	34	34	34
3.5'	23	24	25	25	26	26	26	26	26
2.5'	17	18	19	19	19	20	20	20	20
1.5'	13	14	14	15	15	15	15	15	15
0.5'	11	11	12	12	12	12	12	12	12

Avg. = 35 fc
Max. = 63 fc
Min. = 11 fc

