



Lightolier Basic Track is a one circuit, one neutral track system designed to work with Lightolier track luminaires. The track can be installed individually, in straight runs, or in a variety of patterns to suit numerous applications. Lightolier track is field-cuttable and can be surface mounted, stem mounted, or installed in a recessed slot.

Project: _____
 Location: _____
 Cat.No: _____
 Type: _____
 Qty: _____
 Notes: _____

Track Sticks

example: 6002DWH

Series	Length	Finishes
60		
60 Basic Track System - 1 Circuit	02D 2' Track w/Dead End 04D 4' Track w/Dead End 08D 8' Track w/Dead End	AL Aluminum BK Matte Black WH Matte White

Accessories

example: 6060WH

Series	Finishes
<u>Canopy kits</u>	
6060 End Feed Canopy kit	AL Aluminum
6063 Saddle Canopy kit	BK Matte Black WH Matte White

Series	Finishes
<u>Monopoints</u>	
6190 Round Monopoint	BK Matte Black WH Matte White

Series	Finishes
<u>Adapters</u>	
7599BK Pendant Adapter, Matte Black	
7599 Pendant Adapter, Matte White	
7596 Track Surface Raceway Adapter, Matte White	

Series	Finishes
<u>Mounting clips (set of 9)</u>	
6089 Grid ceiling mounting clips	
6088 Slot grid ceiling mounting clips	
6087 Regressed grid ceiling mounting clips	

Series	Finishes
<u>Connectors</u>	
6046N Power Extension connector	AL Aluminum BK Matte Black WH Matte White
6048N Live End connector	
6049N Mini-Coupler connector	
6053N Variable Angle connector	
6054N In-Line connector	
6050N "L" connector	
6051N "T" connector	
6052N "X" connector	

Series	Finishes
<u>PowerTrip/Current Limiting Devices</u>	
6099 PowerTrip w/ Live End kit	AL Aluminum BK Matte Black WH Matte White
6033 PowerTrip w/ In-Line kit	

Series	Finishes
<u>Additional accessories</u>	
6062 Cord & Plug for track systems	BK Matte Black WH Matte White
6085 Convenience Outlet (WH only)	
7589 Track Attachment fitting	

Series	Finishes
<u>Dead-end covers</u>	
56475 Dead-End cover (WH)	
56476 Dead-End cover (AL)	
56491 Dead-End cover (BK)	

Series	Finishes
<u>Stem Mounting kits</u>	
7584AL 18" Mounting kit (AL)	
7584 18" Mounting kit (WH)	
7683 18" Mounting kit (BK)	
7586AL 48" Mounting kit (AL)	
7586 48" Mounting kit (WH)	
7681 48" Mounting kit (BK)	

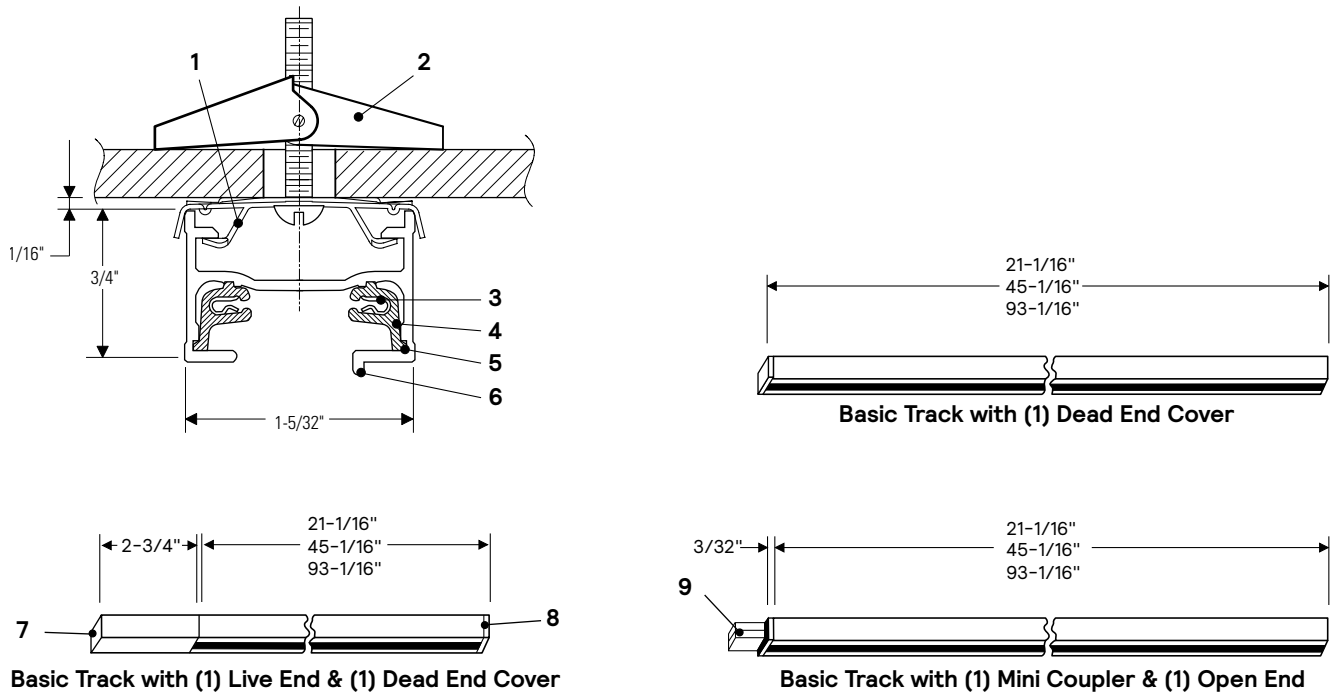
Series	Finishes
<u>Stem Extension kits</u>	
7582AL 48" Extension kit (AL)	
7582 48" Extension kit (WH)	
7680 48" Extension kit (BK)	

Series	Finishes
<u>Mounting bars (set of 2)</u>	
1950 Mounting bars 18"	
1951 Mounting bars 27"	

6000 Basic Track System

1 Circuit Track (2', 4', 8')

Dimensions



Features

- Track Mounting Clips:**
0.024 Spring steel, in black or white
- Toggle Bolt & Screws:**
Furnished with track units.
- Conductor (2):**
Copper 12 ga. equivalent. "U" shape provides reliable contact with connectors.
- Insulating Liner:**
0.032" wall, high temperature thermoplastic.
- Basic Track:**
6063-T5 structural aluminum extrusion.
- Polarity Bead:**
Identifies the neutral conductor.
- Live End:**
Molded thermoplastic, contains contacts for power supply leads; order separately.
- Dead End Cover:**
Molded thermoplastic. Removable in field when joining track sticks or adding a Live End.
- Mini Coupler:**
Connects track units mechanically and electrically.

Mounting

The track may be surface or stem mounted or installed in a recessed housing (see Specification sheet 7515). The track is not intended to be cable mounted. All lengths can be field cut.

Dimming Compatibility

Capacity is 20 amps. at 120 volts per branch circuit (2400 watts incandescent load). The track units are polarized and continuously grounded throughout. Electrical conductors are concealed in a insulating liner. Intended for wiring to branch circuit building wire with ground. All wiring must be in accordance with National and Local Codes.

Electrical

Track units plug together and lock securely to prevent accidental separation. Lytespan lighting units can be attached at any point along the track.

Labels

cULus

6000 Basic Track System

1 Circuit Track (2', 4', 8')

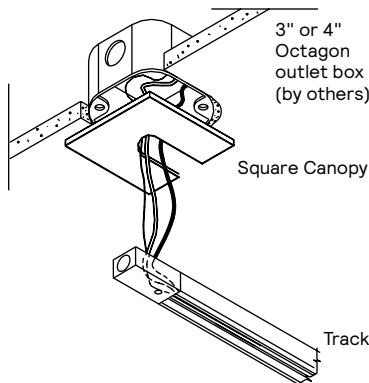
Accessories

End Feed Canopy kits
6060 4 1/2" square



- Aluminum
- Matte White
- Matte Black

Mounts above feed connectors.



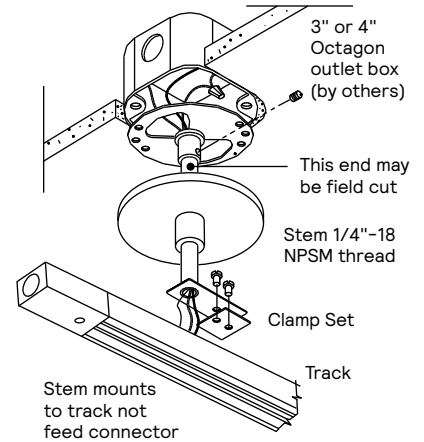
18" Stem Mounting kits *

- 7584AL Aluminum
- 7584 Matte White
- 7683 Matte Black

48" Stem Mounting kits *

- 7586AL Aluminum
- 7586 Matte White
- 7681 Matte Black

- Aluminum
- Matte White
- Matte Black



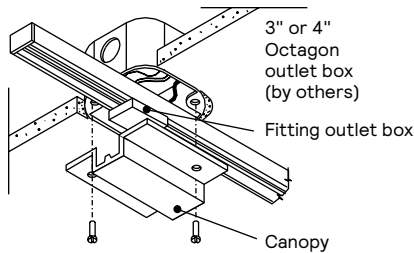
Saddle Canopy kits
6063 4 1/2" square



- Aluminum
- Matte White
- Matte Black

For power feed from 4" junction box.

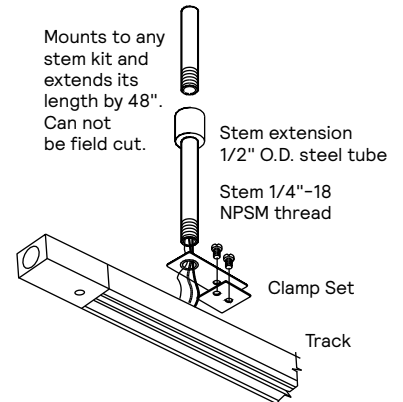
Mounts anywhere along track for power feed from a 4" or 3" octagon outlet box. Use Track Mounting Clips or direct mount track. Max load 20 amps @ 120V, 60Hz.



48" Stem Extension kits

- 7582AL Aluminum
- 7582 Matte White
- 7680 Matte Black

- Aluminum
- Matte White
- Matte Black



Round Monopoints
6190 4 5/8" dia. x 1/4"D



- Matte White
- Matte Black

Ultra shallow mounts fixture to 3 1/2" or 4" octagon outlet box. Use 90°C min. supply wire.

Mounting bars

- 1950 18" (set of 2)
- 1951 27" (set of 2)



Dead-End covers

- 56475 Matte White
- 56476 Aluminum
- 56491 Matte Black

- Aluminum
- Matte White
- Matte Black



Note for Stem Mounting kits:

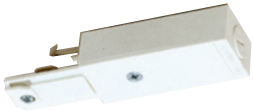
* When making a run of track do not exceed 4' between stems (use additional supports). Power is fed to track with stem closest to the track feed-in point. For power feed to Feed Track use Live-End "L", "T", "X", In-Line and Variable Angle Connectors.

6000 Basic Track System

1 Circuit Track (2', 4', 8')

Accessories

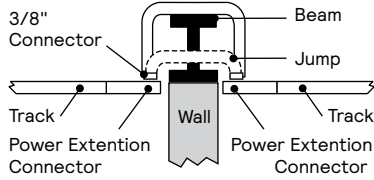
Power Extension connectors
6046N for Basic track



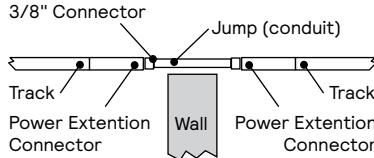
- Aluminum
- Matte White
- Matte Black

Use opposite Live End to power other track sections when obstructions exist.

Over Beam or Through Beam



Through Wall or Column

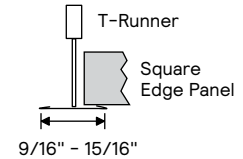
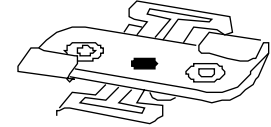


Grid ceiling mounting clips
6089 Zinc plated (set of 9)



- Matte White

For Square-Edge Panels and 9/16" or 15/16" T-Bar runners.

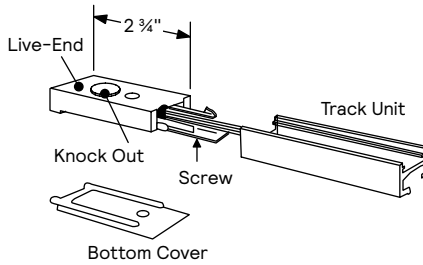


Live-End connectors
6048N for Basic track



- Aluminum
- Matte White
- Matte Black

Electrifies track from beginning of run.



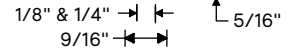
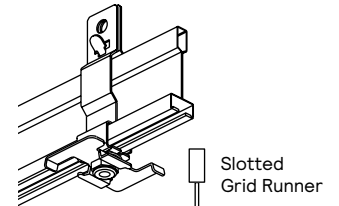
Knock out permits direct feed with electrical connector. Use with plain track.

Slot grid ceiling mounting clips
6088 Zinc plated (set of 9)



- Matte White

For Regressed-Edge Panels and Slotted Grid runners in ceiling systems.

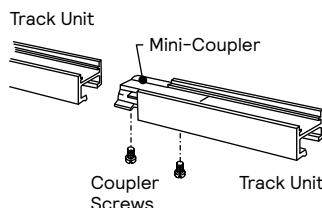


Mini-Coupler connectors
6049N for Basic track



- Aluminum
- Matte White
- Matte Black

Invisible spline for joining two track units.

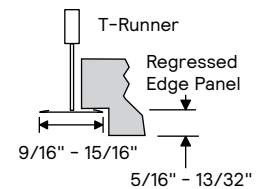
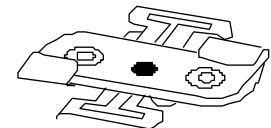


Used to connect two pieces of track together mechanically and electrically. Power can not be fed to Mini-Coupler.

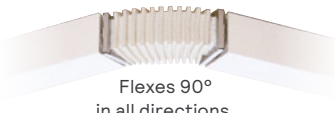
Regressed grid ceiling mounting clips
6087 Zinc plated (set of 9)



- Matte White

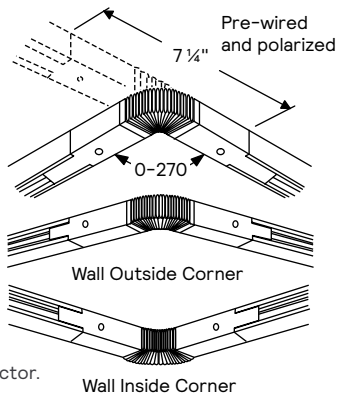


Variable Angle Connector
6053N for Basic track



- Aluminum
- Matte White
- Matte Black

Contains a die-cast zinc nut which accepts a 3/8" threaded conduit fitting. Can be fed directly with electrical connector.

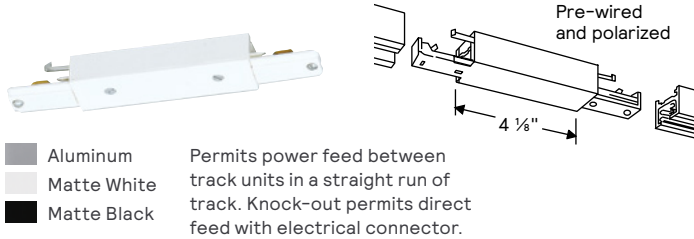


6000 Basic Track System

1 Circuit Track (2', 4', 8')

Accessories

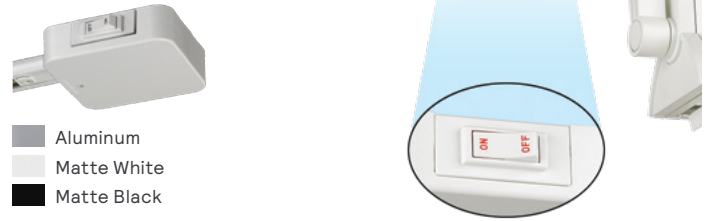
In-Line Connectors
6054N for Basic track



Aluminum
 Matte White
 Matte Black

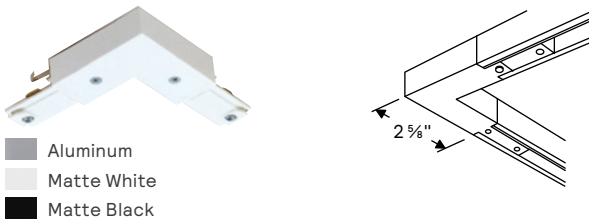
Permits power feed between track units in a straight run of track. Knock-out permits direct feed with electrical connector.

PowerTrip current limiting devices
6033 In-Line for Basic track
6099 Live-End for Basic track

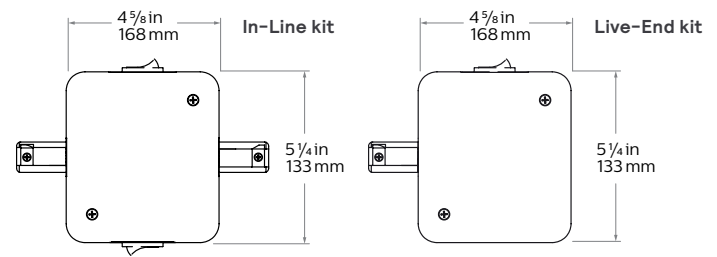


Aluminum
 Matte White
 Matte Black

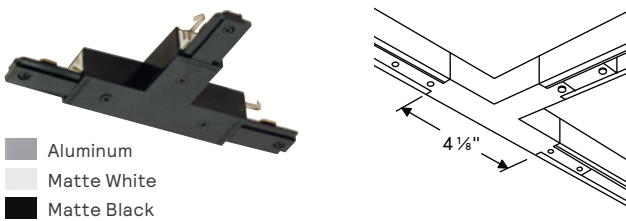
"L" Connectors
6050N for Basic track



Aluminum
 Matte White
 Matte Black



"T" Connector
6051N for Basic track



Aluminum
 Matte White
 Matte Black

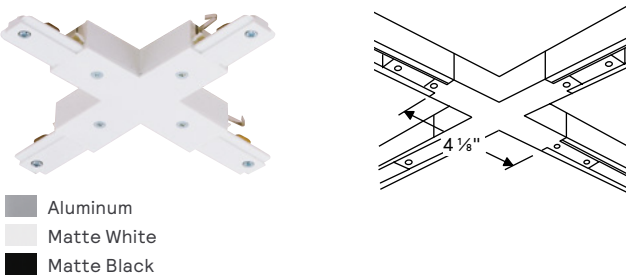
Cord and Plug
6062 for Basic track



Includes 15-foot, two-conductor cord and plug set with in-line switch. Capacity 7 amps at 120V. Not UL Listed.

Matte White
 Matte Black

"X" Connector
6052N for Basic track



Aluminum
 Matte White
 Matte Black

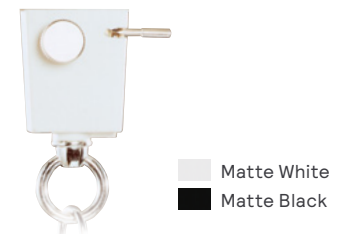
Convenience Outlet
6085 Capacity 6 amps (WH)



Matte White
 Matte Black

Provides auxiliary source for plug-in equipment.

Track Attachment Fitting
7589 Capacity 6 amps



Matte White
 Matte Black

Supports cord mounted fixture up to 10 lbs. and stem or chain mounted fixture to 25 lbs. Chain not included.



© 2023 Signify Holding. All rights reserved. The information provided herein is subject to change, without notice. Signify does not give any representation or warranty as to the accuracy or completeness of the information included herein and shall not be liable for any action in reliance thereon. The information presented in this document is not intended as any commercial offer and does not form part of any quotation or contract, unless otherwise agreed by Signify.

Signify North America Corporation
400 Crossing Blvd, Suite 600
Bridgewater, NJ 08807
Telephone: 855-486-2216

Signify Canada Ltd.
281 Hillmount Road,
Markham, ON, Canada L6C 2S3
Telephone: 800-668-9008

All trademarks are owned by Signify Holding or their respective owners.