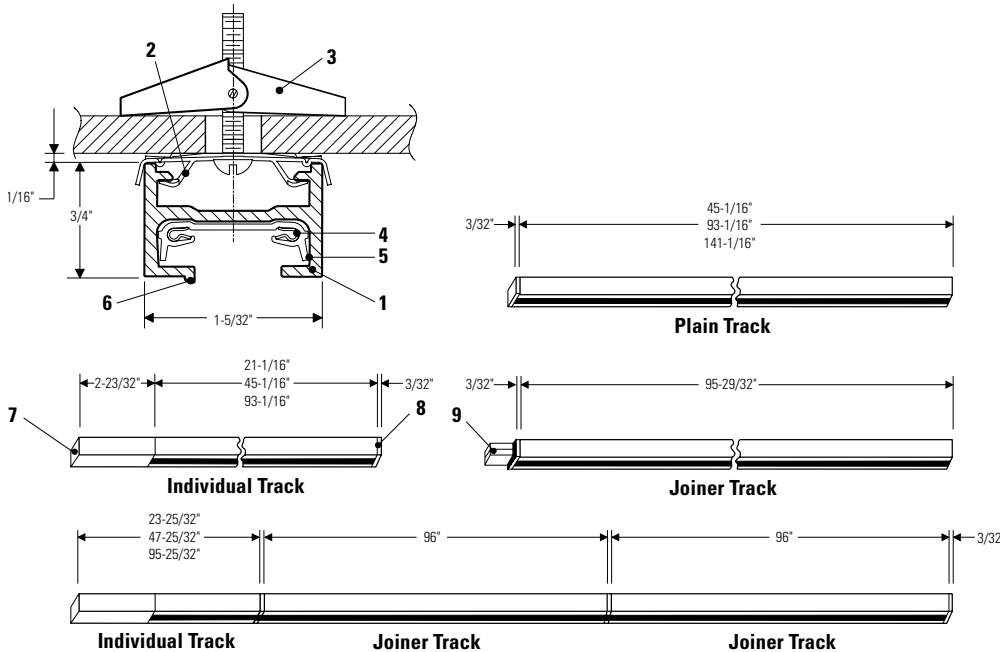


Project:	Catalog No:	Mfg:
Location:	Fixture Type:	Qty:
Notes:		Lamps:



6000NWH	6008NBK	6054NWH
6000NBK	6008NAL	6054NBK
6000NAL	6046NWH	6062WH
6001NWH	6046NBK	6062BK
6001NBK	6048NWH	6063WH
6001NAL	6048NBK	6063BK
6002NWH	6049NWH	6063NAL
6002NBK	6049NBK	6087
6002NAL	6050NWH	6088
6003NWH	6050NBK	6089
6003NBK	6051NWH	7480
6003NAL	6051NBK	7480AL
6004NWH	6052NWH	7481
6004NBK	6052NBK	7582
6004NAL	6053NWH	7582AL
6008NWH	6053NBK	7584
		7586

Ordering guide

	Individual Track			Joiner Track	Plain Track			
	Includes Live End Feed Connector			Includes Mini Coupler	Includes Dead End			
Finishes	2' Catalog No.	4' Catalog No.	8' Catalog No.	8' Catalog No.	4' Catalog No.	6' Catalog No.	8' Catalog No.	12' Catalog No.
Matte White	6000NWH	6001NWH	6002NWH	6003NWH	6004NWH	6006NWH	6008NWH	6012NWH
Matte Black	6000NBK	6001NBK	6002NBK	6003NBK	6004NBK	6006NBK	6008NBK	6012NBK
Met Aluminum	6000NAL	6001NAL	6002NAL	6003NAL	6004NAL	6006NAL	6008NAL	6012NAL

Features

Basic Lytespan is a one circuit electrical distribution system designed to support and supply all Lytespan lighting units in a flexible manner. The track can be installed individually in straight runs or in a variety of patterns.

- Basic Lytespan Track:** 6063-T5 structural aluminum extrusion.
- Track Mounting Clips:** 0.024 Spring steel, in black or white; order separately.
- Toggle Bolt & Screws:** furnished with track units.
- Conductor (2):** copper 12 ga. equivalent. "U" shape provides reliable contact with connectors.
- Insulating Liner:** 0.032" wall, high temperature thermoplastic.
- Polarity Bead:** identifies the neutral conductor.
- Live End:** molded thermoplastic. Contains contacts for power supply leads.
- Dead End Cover:** molded thermoplastic.
- Mini Coupler:** connects track units mechanically and electrically.

Mounting

The track may be surface or stem mounted (see pages 2, 3, and 4) or installed in a recessed housing (see Specification sheet 7515). The track is not intended to be cable mounted. All lengths can be field cut.

Electrical

Capacity is 20 amps. at 120 volts per branch circuit (2400 watts incandescent load). The track units are polarized and continuously grounded throughout. Electrical conductors are concealed in a insulating liner. Intended for wiring to branch circuit building wire with ground. All wiring must be in accordance with National and Local Codes.

Mechanical

Track units plug together and lock securely to prevent accidental separation. Lytespan lighting units can be attached at any point along the track.

Finish

All painted finishes are baked enamel.

Labels

cUL; I.B.E.W

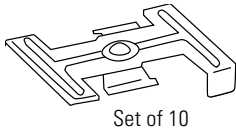
Track Mounting and Power Feed Systems

Track Mounting Clips

Recommended: 2 clips per 2' & 4' track, 3 clips per 8' and 12' track units, order separately. Attaches to track at any point. Clip is nylon coated. Spaces track 1/16" from ceiling.

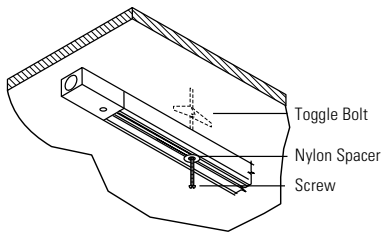
Not recommended for wall mounting.

- 56451WH** Matte White
- 56451BK** Matte Black



Direct Mounting

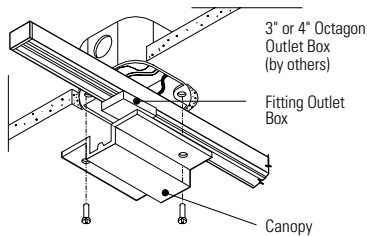
Toggle bolts and nylon insulators are furnished with Track, two per 2' and 4' track, three per 8' and 12' track. Mount through existing holes in track. Top of track sits flush to mounting surface. *Recommended for wall and ceiling mounting.*



Saddle Canopy Kit

Mounts anywhere along track for power feed from a 4" or 3" octagon outlet box. Use Track Mounting Clips or direct mount track. Especially useful with Plain Track. Max load 20 amps @ 120V, 60Hz.

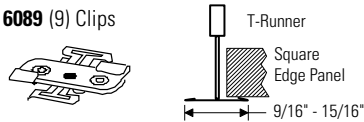
- 6063WH** Matte White



Grid Ceiling Mounting Clips

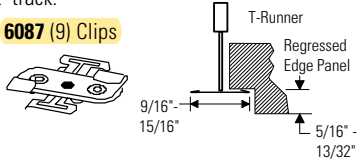
Square Edge Panels and 9/16"-15/16" T-Bars Clip is supplied assembled. Mounts onto T-Bars by rotating clips. Use two per 2' and 4' track, three per 8', and four per 12' track.

- 6089** (9) Clips



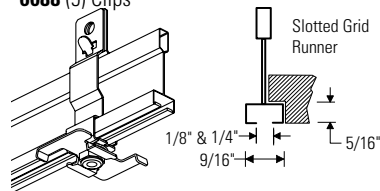
Regressed Edge Panels and 9/16"- 15/16" T-Bar Clip is supplied assembled. Mounts easily onto T-Bars by rotating clips. Use two per 2' and 4' track, three per 8', and four per 12' track.

- 6087** (9) Clips



Slotted Grid Ceilings such as Donn Finline and Chicago Metallic Ultraline 3500 and 3600. Use two per 2' and 4' track, three per 8', and four per 12' track.

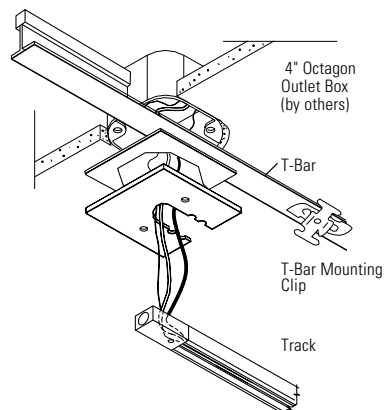
- 6088** (9) Clips



Grid Ceiling Canopy Kit

Mounts to a 4" or 3" octagonal outlet box. Use two per 2' or 4' track, three per 8' and 12' track. When making a run of track do not exceed 4' between stems. Includes a special outlet box to fit onto runners. Power can be fed to Feed Track, Live End, "L", "T", "X", and In-Line connectors. Mounts along runner or at the intersection of runners.

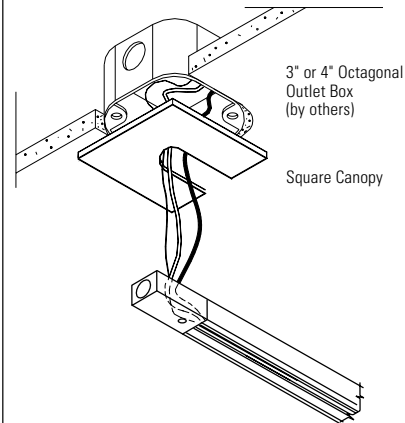
- 6096WH** Matte White



End Feed Canopy Kit

Mounts directly to Live End, 'L', 'T', 'X', In-Line and Variable Angle Connectors. Mounts to a 4" or 3" octagonal outlet box. For track installed with mounting clips or direct mounted. Canopy is 3/32" thick and 4-1/2" square.

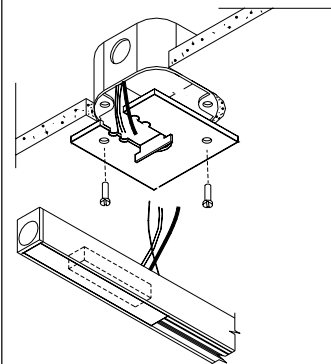
- 6060WH** Matte White
- 6060BK** Matte Black
- 6060NAL** Aluminum



Floating Canopy Kit

Mounts to a 4" or 3" octagonal outlet box. Canopy is positioned anywhere along track, up to 4' from edge of track extrusion. Power can be fed to Live End, 'L', 'T', 'X', In-Line and Variable Angle Connectors. Mount track using track mounting clips. Canopy is 3/32" thick and 4-1/2" square.

- 6061WH** Matte White
- 6061BK** Matte Black
- 6061NAL** Aluminum



Track Mounting and Power Feed Systems

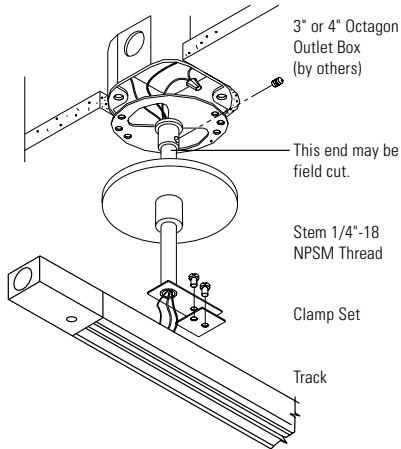
Stem Mounting Kits

Mounts to a 4" or 3" octagon outlet box. Use two per 2' and 4' track, three per 8' and 12' track. When making a run of track do not exceed 4' between stems. Use additional stems for additional support. Power is fed to the track with the stem closest to the track feed-in point. For power feed to Feed Track and Live End, "L", "T", "X", In-line, and Variable Angle Connectors. Stem can be field cut.

Not recommended for wall mounting.

Stem mounts to track not feed connector.

18" Stem	48" Stem
Actual length from ceiling to top of track:	17 3/8" 47 3/8"
Matte White	7584 7586
Matte Black	7683 7681



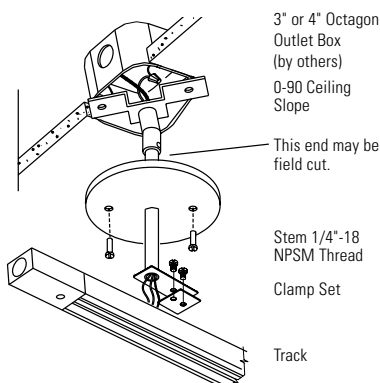
Swivel Stem Mounting Kits

Adjusts from 0 to 90. Mounts to a 4" or 3" octagon outlet box. Use two per 2' and 4' track, three per 8' and 12' track. When making a run of track do not exceed 4' between stems. Use additional stems for additional support. Power is fed to the track with the stem closest to the track feed-in point. For power feed to Feed Track and Live End, "L", "T", "X", In-line, and Variable Angle Connectors. Can be field cut. 48" stem.

Not recommended for wall mounting.

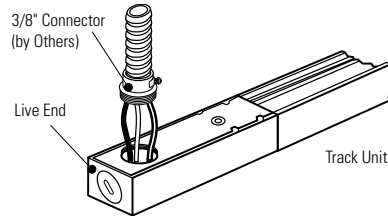
Stem mounts to track not feed connector.

7480	Matte White
7481	Matte Black



Direct Feed into Connectors

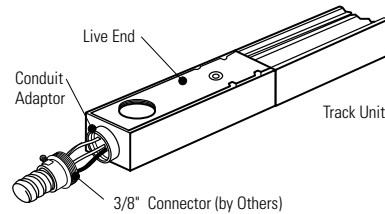
The Live End, "L", "T", "X", In-line, and Variable Angle Connectors contain a nut with a 1/2-14 thread to accept a 3/8" or 1/2" (trade size) electrical connector, 3/8" connector recommended. Does not require a separate power feed kit.



Conduit Adaptor

For feeding power to Live End from secure cable terminating in a 3/8" (trade size) electrical connector. Conduit must be self supporting. For use with 6048 and 6046.

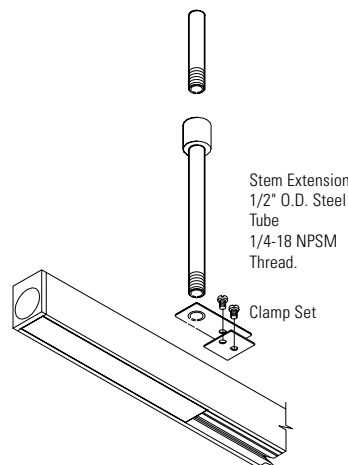
7596 Zinc Plate



Stem Extension Kit

Mounts to any stem kit to extend its length by 48". Cannot be field cut.

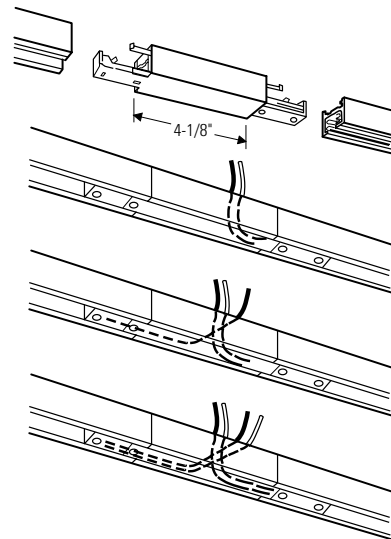
7582	Matte White
7680	Matte Black



In-Line Connector

Permits power feed between track units in a straight run of track. The In-Line Connector is polarized and pre-wired. KO permits direct feed with electrical connector.

6054NWH	Matte White
6054NBK	Matte Black
6054NAL	Aluminum

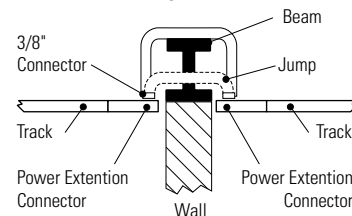


Power Extension Connector

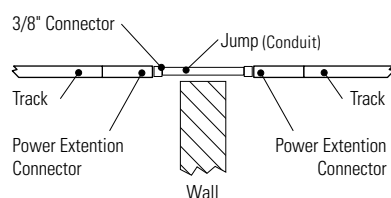
Replaces Dead End Cover at end of track to permit power continuity around structural obstacles to another track section. Accepts same power feed-in kits as Live End.

6046NWH	Matte White
6046NBK	Matte Black
6046NAL	Aluminum

Over Beam or Through Beam



Through Wall or Column



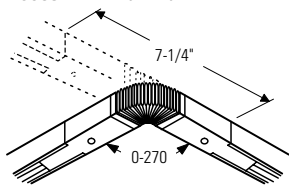
Track Mounting, Power Feed Systems and Mounting Patterns

Variable Angle Connector

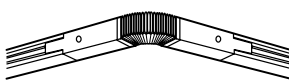
The Variable Angle Connector is pre-wired and polarized. It contains a die-cast zinc nut which accepts a standard 3/8" threaded conduit fitting. Flexes to any angle between 0-90.

6053WH Matte White

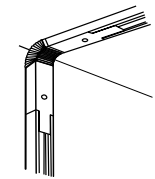
6053NAL Aluminum



Wall Inside Corner



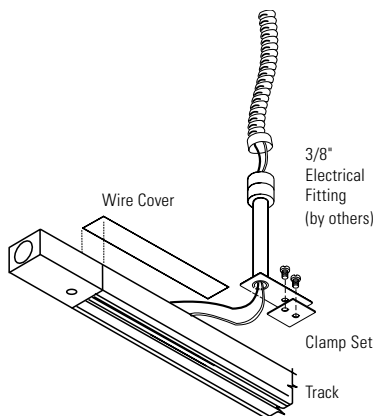
Wall Outside Corner



Ceiling to Wall

Floating Invisible Feed

Can be mounted anywhere along the track at a maximum distance of 4' from edge of track extrusion. Accepts conduit or cable with 3/8" or 1/2" electrical connector (by others). Can be used with Live End, "L", "T", "X", and In-Line and Variable Angle connectors. Use Track Mounting Clips to mount the track.



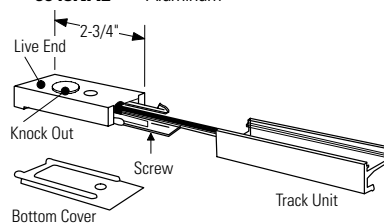
Live End

Energizes Track from the beginning of a run. KO permits direct feed with electrical connector. It is included with Individual Track Units. Use with plain track units.

6048NWH Matte White

6048NBK Matte Black

6048NAL Aluminum



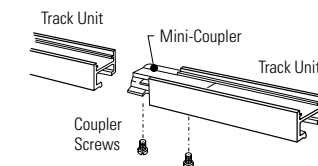
Mini-Coupler

Used to connect two pieces of track together mechanically and electrically. Power cannot be fed to the Mini-Coupler. It is included with Joiner Track Units.

6049NWH Matte White

6049NBK Matte Black

6049NAL Aluminum

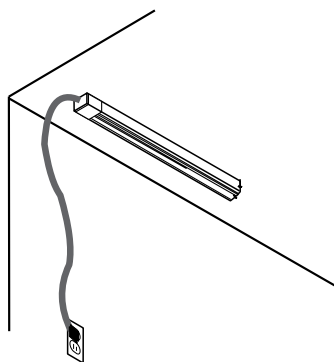


Cord and Plug

Energizes track from a polarized 120V receptacle. Especially useful with plain track. Supplied with a 15' two conductor 18 ga. cord and In-Line switch. The switch is supplied unattached. The track is not to exceed 1200 watts. The switch is rated for 6 amps, 720 watt with cord and plug attached.

6062WH Matte White

6062BK Matte Black



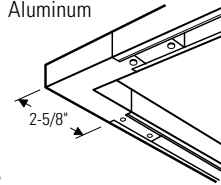
"L" Connector

The "L" connector is polarized and pre-wired. It may be rotated for right angle or left angle turn. KO permits direct feed with electrical connector.

6050NWH Matte White

6050NBK Matte Black

6050NAL Aluminum



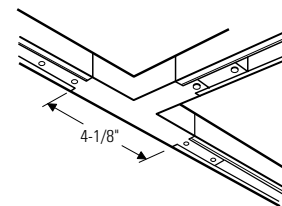
"T" Connector

The "T" connector is not pre-wired or polarized. Used to make "T" pattern with track. 12 ga. copper jumper wires supplied with track. KO permits direct feed with electrical connector.

6051NWH Matte White

6051NBK Matte Black

6051NAL Aluminum



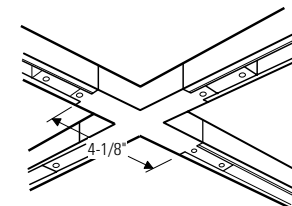
"X" Connector

The "X" connector is not pre-wired or polarized. Used to make "X" pattern with track. 12 ga. copper jumper wires supplied to make all necessary connections. KO permits direct feed with electrical connector.

6052NWH Matte White

6052NBK Matte Black

6052NAL Aluminum



©2015 Koninklijke Philips N.V. All rights reserved. Philips reserves the right to make changes in specifications and/or to discontinue any product at any time without notice or obligation and will not be liable for any consequences resulting from the use of this publication.

Philips Lighting,
North America Corporation
200 Franklin Square Drive,
Somerset, NJ 08873
Tel. 855-486-2216

Imported by: Philips Lighting,
A division of Philips Electronics Ltd.
281 Hillmount Rd, Markham, ON,
Canada L6C 2S3
Tel. 800-668-9008