



Adaptable, and flexible for your changing project needs. It is your best choice without sacrificing ease of installation or product quality.

Project: _____
 Location: _____
 Cat.No: _____
 Type: _____
 Lamps: _____ Qty: _____
 Notes: _____

Frame (frame + trim = complete product) example: 6RN

Series	Aperture	Installation	Options
6 6-inch Non-IC	R Round	N New construction (Non-IC) R Remodeler (Non-IC) A AirSeal (IC) ¹	– Universal 120/277V (specify for Power Over Ethernet) LC Chicago Plenum ² EM Emergency ⁴ 3 347V (not compatible with ELV dimming) 3IP 347V with Interact Pro (for use with 0-10V engines only) ^{2,3} IP Interact Pro (for use with 0-10V engines only) ^{2,3}

Trim example: Z4RDL20835WOCZ10U

Series	Lumen	CRI/CCT	Beam	Style	Reflector	Dimming	Voltage
Z6RDL EasyLyte 6-inch Round	10 1000lm	827 80CRI / 2700K	W Wide	O Open S Step baffle	CD Clear diffuse (applied finish) BK Black (matte) WH White (matte)	Z10 0-10V 1% L Lutron LDE1 EcoSystem (fade-to-black) ELV ELV ⁵ P Power over Ethernet (PoE)	U Universal 120/277/347V 1 120V E Ethernet 48V DC
	15 1500lm	830 80CRI / 3000K					
	20 2000lm	835 80CRI / 3500K					
	25 2500lm	840 80CRI / 4000K					
	30 3000lm						
35 3500lm							

Only compatible with 1000 (10) to 2500 (25) lumen options

- There is a 3000lm (30) limit with 6" (6RA) IC housings.
- Interact Pro (IP), Emergency (EM) and Chicago Plenum (LC) are only available with New construction (N) installs.
- Integral Interact Pro RF sensor enables network lighting control; to be specified with 0-10V light engines only.
- Emergency (EM) frame comes with emergency battery pack and ceiling mountable test switch.
- ELV (E) dimming is only compatible with 1000lm (10), 1500lm (15), 2000lm (20) configurations.

Note: Consult factory for additional dimming options.

Z6RDL EasyLyte 6"

Round Downlight

Features

Optics

- Provides a 70° cutoff (physical and reflected)
- Wide beam distribution for general illumination
- Spun and anodized reflectors available in specular (clear), semi-specular (comfort clear and diffuse finishes. Also available in white and black painted finishes
- Injection molded plastic trim inserts in splay and baffle options
- Reflectors available in painted clear diffuse, white, black and dark bronze

Quality of light

- Lumen Maintenance: L70 at 50,000 hours
- Color consistency: 3 SDCM
- 80 CRI minimum

Construction (New Construction)

- Galvanized stamped steel for dry / plaster ceilings.
- Pre-installed telescoping mounting bars (13" - 24")
- Frame accommodates C- channel, black iron, and 3/4" EMT for mounting distances greater than 24" between joists.
- Manufactured from 20 gage galvanized steel construction with rolled edge aperture to guide cutting tools for perfect hole cutting.

**Max ceiling thickness is 2" (51 mm).
Including PoE frame 4.88" (124 mm).**

Patented install Mounting frame

- Pre-installed mounting bars allow for fast and tool-less install into T-grid and hat channel ceilings
- Close-cut aperture design eliminates an undesired gap between ceiling material and reflector.
- Simple plug-and-play connection between frame and light engine from below the ceiling allows for:
 - Easy upgrades
 - Technology changes
 - Repairs and troubleshooting

Dimming

- Advance 0-10V 1% dimming
- Lutron Hi-lume EcoSystem H Series 1% dimming

Interact Pro (IAP)

- Interact Pro brings the power of connected lighting to small and medium businesses without the complexity usually associated with connected lighting.
- Interact Pro includes an app, a portal and a broad portfolio of wireless Luminaires, lamps and retrofit kits all working on the same system.
- Commissioning via Interact Pro App (Android or iPhone)
- Prepare commissioning remotely via Interact Pro portal
- Requires compatible Interact Pro Gateway and internet connectivity for commissioning
- Compatible with UID8451/10 ZigBee Greenpower wireless dimmer switch
- Compatible with wireless Occ sensor (OCC SENSOR IA CM IP42 WH 10/1) or wireless Day/Occ sensor (OCC MULTI SENSOR IA CM WH 10/1)
- For more information on Interact Pro visit: www.interact-lighting.com/pro
- For more information on Interact Ready visit: www.philips.com/interactready

Power over Ethernet

Powered via Philips PoE lighting controller: complies with FCC rules per Title 47 part 15 (Class A) for EMI / RFI (conducted & radiated). PoE lighting controller accessible from below ceiling.

Rated life: 60,0000 hrs at 70% lumen maintenance based on IES LM-80-08 and TM-21-11.

ENERGY STAR® exceptions

- 500lm configurations
- Black & Dark bronze finishes
- Power Over Ethernet drivers

Labels and Listings

- cULus listed for wet locations
- ENERGY STAR® certified
- RoHS certified

Warranty

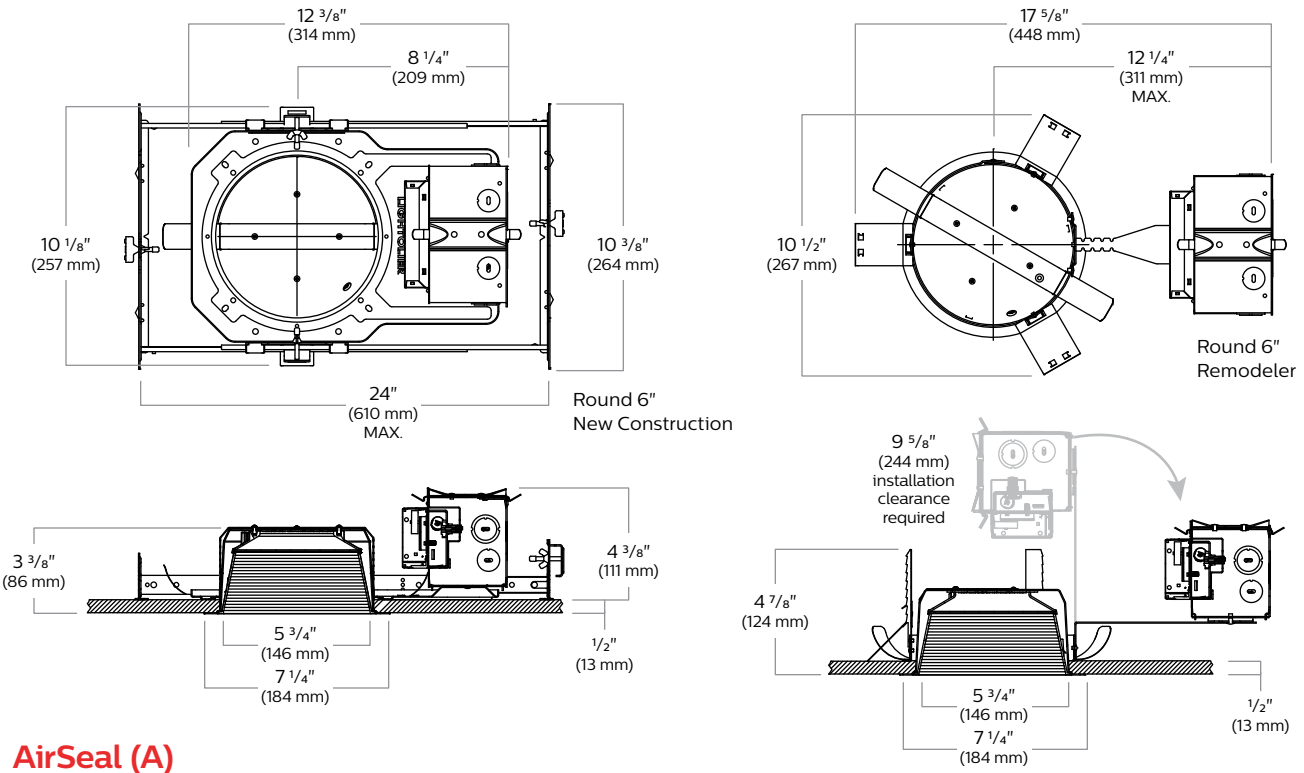


5 year limited warranty
Visit Signify.com/warranties for more information on Signify's standard 5-year limited warranty on complete luminaire systems.

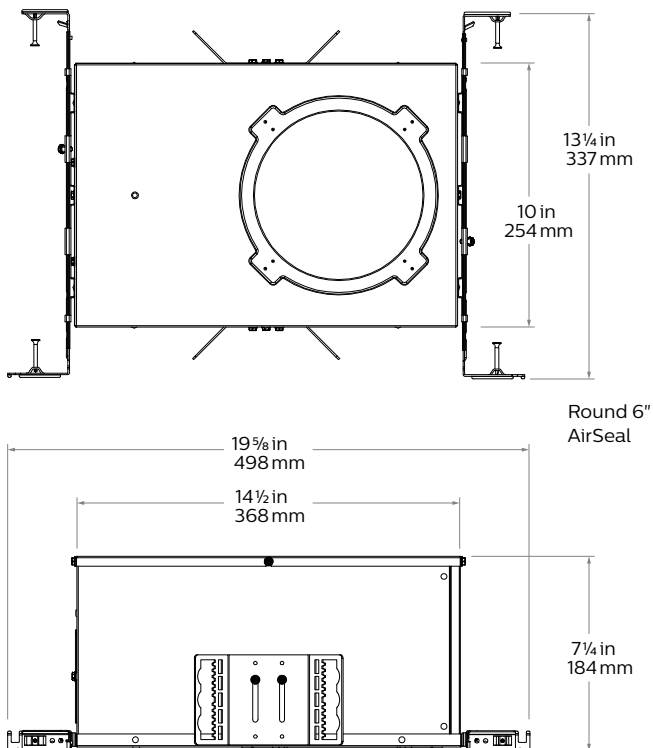
Z6RDL EasyLyte 6"

Round Downlight

Dimensions



AirSeal (A)

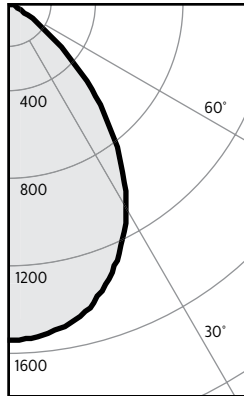


Z6RDL EasyLyte 6"

Round Downlight

Z6RDL30835WOBKZ10U • 30W LED, 80 CRI, 3500 K

Candela Curves



Angle	Mean CP	Lumens
0	1533	
5	1520	144
10	1489	
15	1431	401
20	1333	
25	1218	557
30	1072	
35	897	556
40	702	
45	505	388
50	318	
55	158	147
60	52	
65	10	16
70	5	
75	2	3
80	1	
85	0	1
90	0	

Single unit data

Height to Lighted Plane	Initial center beam foot-candles	Beam dia. (ft)*
5'	61	5.5'
6'	43	6.6'
7'	31	7.7'
8'	24	8.8'
9'	19	9.9'

* Beam diameter is where foot-candles drop to 50% of maximum.

Multiple unit data - RCR 2

Spacing on center	Initial center beam foot-candles	Watts per sq.ft.
5'		1.34
6'		0.88
7'		0.63
8'		0.52
9'		0.42

38'x38'x10' Room, Workplane 2.5' above floor, 80/50/20% Reflectances

Coefficients of utilization

Ceiling	80%				70%		50%		30%		0%	
	70	50	30	10	50	10	50	10	50	10	0	
Wall	Zonal cavity method - Effective floor reflectance = 20%											
RCR	Zonal cavity method - Effective floor reflectance = 20%											
Room Cavity Ratio	0	119	119	119	119	116	116	111	111	106	106	100
	1	113	109	106	104	107	102	103	99	99	96	91
	2	106	100	95	91	98	90	95	88	92	86	83
	3	99	91	86	81	90	80	87	79	85	78	75
	4	93	84	77	72	83	72	80	71	78	70	67
	5	87	77	70	65	76	65	74	64	72	63	61
	6	81	71	64	59	70	59	68	58	67	58	56
	7	76	65	58	53	65	53	63	53	62	53	51
	8	72	61	54	49	60	49	59	49	58	48	46
	9	68	56	50	45	56	45	55	45	54	44	43
	10	64	53	46	41	52	41	51	41	50	41	40

Zonal lumens & percentages

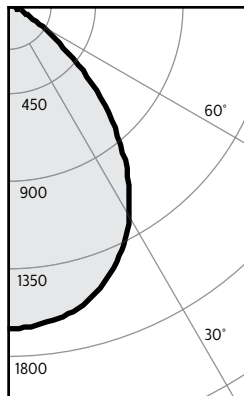
Zone	Lumens	%Luminaire
0-30	1103	49.8%
0-40	1659	74.9%
0-60	2195	99.1%
0-90	2215	100.0%

Report#: 1598GFR

Output lumens:	2215 lms	Efficacy:	73.1lm/w
Spacing Criterion:	1.1	CCT ³ :	3500 K
Beam Angle:	77°	CRI:	80 min
Input Watts ² :	30.3W		

Z6RDL30835W OCDZ10U • 30W LED, 80 CRI, 3500 K

Candela Curves



Angle	Mean CP	Lumens
0	1652	
5	1640	156
10	1615	
15	1566	440
20	1482	
25	1380	632
30	1242	
35	1070	664
40	874	
45	670	514
50	468	
55	290	266
60	165	
65	102	107
70	71	
75	46	50
80	26	
85	11	13
90	0	

Single unit data

Height to Lighted Plane	Initial center beam foot-candles	Beam dia. (ft)*
5'	66	5.5'
6'	46	6.6'
7'	34	7.7'
8'	26	8.8'
9'	20	9.9'

* Beam diameter is where foot-candles drop to 50% of maximum.

Multiple unit data - RCR 2

Spacing on center	Initial center beam foot-candles	Watts per sq.ft.
5'		0.89
6'		0.58
7'		0.42
8'		0.35
9'		0.28

38'x38'x10' Room, Workplane 2.5' above floor, 80/50/20% Reflectances

Coefficients of utilization

Ceiling	80%				70%		50%		30%		0%	
	70	50	30	10	50	10	50	10	50	10	0	
Wall	Zonal cavity method - Effective floor reflectance = 20%											
RCR	Zonal cavity method - Effective floor reflectance = 20%											
Room Cavity Ratio	0	119	119	119	119	116	116	111	111	106	106	100
	1	112	108	105	102	106	100	102	97	98	94	89
	2	104	98	92	88	96	87	92	85	89	83	79
	3	97	88	82	77	87	76	84	75	81	73	70
	4	90	80	73	68	79	67	77	66	74	65	63
	5	84	73	66	60	72	60	70	59	68	59	56
	6	78	67	59	54	66	54	64	53	63	53	51
	7	73	62	54	49	61	49	59	48	58	48	46
	8	69	57	49	44	56	44	55	44	54	44	42
	9	65	53	45	41	52	40	51	40	50	40	38
	10	61	49	42	37	49	37	48	37	47	37	35

Zonal lumens & percentages

Zone	Lumens	%Luminaire
0-30	1228	43.2%
0-40	1892	66.6%
0-60	2673	94.0%
0-90	2842	100.0%

Report#: 1596GFR

Output lumens:	2842 lms	Efficacy:	93.8lm/w
Spacing Criterion:	1.1	CCT ³ :	3500 K
Beam Angle:	82°	CRI:	80 min
Input Watts ² :	30.3W		

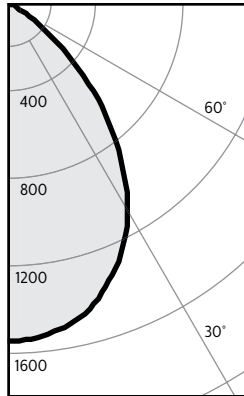
1. Tested using absolute photometry as specified in LM79: IESNA Approved Method for the Electrical and Photometric Measurements of Solid-State Lighting Products.
 2. Wattage: controlled to within 5%
 3. Correlated Color Temperature: within specs as defined in ANSI_NEMA_ANSI C78.377-2008: Specifications for the Chromaticity of Solid State Lighting Products.

Z6RDL EasyLyte 6"

Round Downlight

Z6RDL30835WODBZ10U • 30W LED, 80 CRI, 3500 K

Candela Curves



Angle	Mean CP	Lumens
0	1542	145
5	1528	
10	1497	
15	1440	404
20	1346	
25	1234	565
30	1088	
35	912	566
40	717	
45	520	399
50	330	
55	168	157
60	60	
65	17	23
70	10	
75	7	7
80	4	
85	2	2
90	0	

Single unit data

Height to Lighted Plane	Initial center beam foot-candles	Beam dia. (ft)*
5'	62	5.5'
6'	43	6.6'
7'	31	7.7'
8'	24	8.8'
9'	19	9.9'

* Beam diameter is where foot-candles drop to 50% of maximum.

Multiple unit data - RCR 2

Spacing on center	Initial center beam foot-candles	Watts per sq.ft.
5'		1.34
6'		0.88
7'		0.63
8'		0.52
9'		0.42

38'x38'x10' Room, Workplane 2.5' above floor, 80/50/20% Reflectances

Coefficients of utilization

Ceiling	80%				70%		50%		30%		0%	
	70	50	30	10	50	10	50	10	50	10	0	
Wall	70	50	30	10	50	10	50	10	50	10	0	
RCR	Zonal cavity method - Effective floor reflectance = 20%											
Room Cavity Ratio	0	119	119	119	119	116	116	111	111	106	106	100
	1	112	109	106	104	107	102	103	99	99	96	91
	2	105	100	95	91	98	90	95	88	92	86	82
	3	99	91	85	80	90	80	87	78	84	77	74
	4	92	83	77	72	82	71	80	70	78	70	67
	5	87	77	70	65	76	64	74	64	72	63	61
	6	81	71	63	58	70	58	68	58	67	57	55
	7	76	65	58	53	64	53	63	53	62	52	50
	8	72	60	53	49	60	48	59	48	57	48	46
	9	67	56	49	45	56	44	55	44	54	44	42
	10	64	52	46	41	52	41	51	41	50	41	39

Zonal lumens & percentages

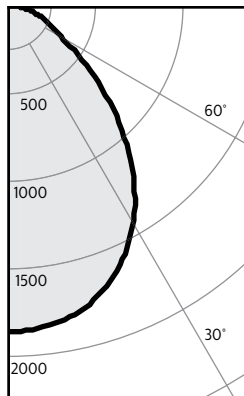
Zone	Lumens	%Luminaire
0-30	1114	49.1%
0-40	1680	74.1%
0-60	2236	98.6%
0-90	2268	100.0%

Report#: 1597GFR

Output lumens:	2268 lms	Efficacy:	74.8 lm/w
Spacing Criterion:	1.1	CCT ³ :	3500 K
Beam Angle:	77°	CRI:	80 min
Input Watts ² :	30.3 W		

Z6RDL30835WOWHZ10U • 30W LED, 80 CRI, 3500 K

Candela Curves



Angle	Mean CP	Lumens
0	1855	175
5	1842	
10	1812	
15	1758	494
20	1667	
25	1556	714
30	1411	
35	1235	769
40	1038	
45	832	640
50	630	
55	449	408
60	319	
65	244	246
70	192	
75	138	146
80	87	
85	40	45
90	0	

Single unit data

Height to Lighted Plane	Initial center beam foot-candles	Beam dia. (ft)*
5'	74	6.0'
6'	52	7.2'
7'	38	8.4'
8'	29	9.6'
9'	23	10.8'

* Beam diameter is where foot-candles drop to 50% of maximum.

Multiple unit data - RCR 2

Spacing on center	Initial center beam foot-candles	Watts per sq.ft.
5'		1.35
6'		0.88
7'		0.63
8'		0.53
9'		0.42

38'x38'x10' Room, Workplane 2.5' above floor, 80/50/20% Reflectances

Coefficients of utilization

Ceiling	80%				70%		50%		30%		0%	
	70	50	30	10	50	10	50	10	50	10	0	
Wall	70	50	30	10	50	10	50	10	50	10	0	
RCR	Zonal cavity method - Effective floor reflectance = 20%											
Room Cavity Ratio	0	119	119	119	119	116	116	111	111	106	106	100
	1	110	106	103	99	104	98	100	95	96	92	87
	2	102	95	89	84	93	83	90	81	86	79	76
	3	94	85	78	72	83	72	81	70	78	69	66
	4	87	77	69	63	75	62	73	62	71	61	58
	5	81	69	61	55	68	55	66	55	64	54	52
	6	75	63	55	49	62	49	61	49	59	48	46
	7	70	58	50	44	57	44	56	44	54	44	42
	8	66	53	46	40	53	40	51	40	50	40	38
	9	62	49	42	37	49	37	48	36	47	36	34
	10	58	46	38	34	45	33	44	33	43	33	31

Zonal lumens & percentages

Zone	Lumens	%Luminaire
0-30	1383	38.0%
0-40	2151	59.2%
0-60	3199	88.0%
0-90	3636	100.0%

Report#: 1594GFR

Output lumens:	3636 lms	Efficacy:	119.6 lm/w
Spacing Criterion:	1.2	CCT ³ :	3500 K
Beam Angle:	85°	CRI:	80 min
Input Watts ² :	30.4 W		

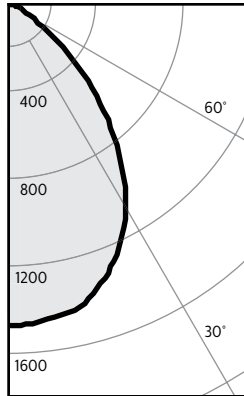
1. Tested using absolute photometry as specified in LM79: IESNA Approved Method for the Electrical and Photometric Measurements of Solid-State Lighting Products.
 2. Wattage: controlled to within 5%
 3. Correlated Color Temperature: within specs as defined in ANSI_NEMA_ANSI C78.377-2008: Specifications for the Chromaticity of Solid State Lighting Products.

Z6RDL EasyLyte 6"

Round Downlight

Z6RDL30835WSBKZ10U • 30W LED, 80 CRI, 3500 K

Candela Curves



Angle	Mean CP	Lumens
0	1468	
5	1460	139
10	1441	
15	1394	391
20	1307	
25	1199	548
30	1055	
35	884	549
40	696	
45	503	386
50	318	
55	160	149
60	55	
65	13	19
70	5	
75	2	2
80	1	
85	0	0
90	0	

Single unit data

Height to Lighted Plane	Initial center beam foot-candles	Beam dia. (ft)*
5'	59	5.5'
6'	41	6.6'
7'	30	7.7'
8'	23	8.8'
9'	18	9.9'

* Beam diameter is where foot-candles drop to 50% of maximum.

Multiple unit data - RCR 2

Spacing on center	Initial center beam foot-candles	Watts per sq.ft.
5'		1.34
6'		0.88
7'		0.63
8'		0.52
9'		0.42

38'x38'x10' Room, Workplane 2.5' above floor, 80/50/20% Reflectances

Coefficients of utilization

Ceiling	80%				70%		50%		30%		0%	
	70	50	30	10	50	10	50	10	50	10	0	
Wall	Zonal cavity method - Effective floor reflectance = 20%											
RCR	Zonal cavity method - Effective floor reflectance = 20%											
Room Cavity Ratio	0	119	119	119	119	116	116	111	111	106	106	100
	1	113	109	106	104	107	102	103	99	99	96	91
	2	106	100	95	91	98	90	95	88	92	86	83
	3	99	91	85	81	90	80	87	79	85	78	75
	4	93	84	77	72	82	72	80	71	78	70	67
	5	87	77	70	65	76	64	74	64	72	63	61
	6	81	71	64	59	70	58	68	58	67	58	55
	7	76	65	58	53	65	53	63	53	62	53	51
	8	72	61	54	49	60	49	59	48	58	48	46
	9	68	56	49	45	56	45	55	45	54	44	43
	10	64	53	46	41	52	41	51	41	50	41	39

Zonal lumens & percentages

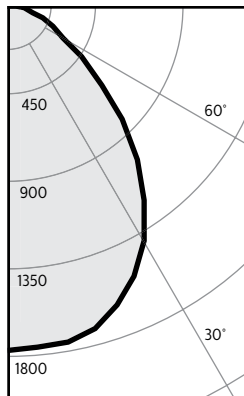
Zone	Lumens	%Luminaire
0-30	1078	49.4%
0-40	1627	74.5%
0-60	2163	99.0%
0-90	2184	100.0%

Report#: 1599GFR

Output lumens:	2184 lms	Efficacy:	72.1lm/w
Spacing Criterion:	1.1	CCT ³ :	3500 K
Beam Angle:	78°	CRI:	80 min
Input Watts ² :	30.3W		

Z6RDL30835WSWHZ10U • 30W LED, 80 CRI, 3500 K

Candela Curves



Angle	Mean CP	Lumens
0	1768	
5	1759	168
10	1751	
15	1714	482
20	1631	
25	1529	701
30	1391	
35	1218	758
40	1025	
45	827	636
50	631	
55	456	414
60	329	
65	252	253
70	193	
75	135	143
80	83	
85	38	43
90	0	

Single unit data

Height to Lighted Plane	Initial center beam foot-candles	Beam dia. (ft)*
5'	71	6.0'
6'	49	7.2'
7'	36	8.4'
8'	28	9.6'
9'	22	10.8'

* Beam diameter is where foot-candles drop to 50% of maximum.

Multiple unit data - RCR 2

Spacing on center	Initial center beam foot-candles	Watts per sq.ft.
5'		1.35
6'		0.88
7'		0.63
8'		0.53
9'		0.42

38'x38'x10' Room, Workplane 2.5' above floor, 80/50/20% Reflectances

Coefficients of utilization

Ceiling	80%				70%		50%		30%		0%	
	70	50	30	10	50	10	50	10	50	10	0	
Wall	Zonal cavity method - Effective floor reflectance = 20%											
RCR	Zonal cavity method - Effective floor reflectance = 20%											
Room Cavity Ratio	0	119	119	119	119	116	116	111	111	106	106	100
	1	110	106	103	99	104	98	100	95	96	92	87
	2	102	95	89	84	93	83	89	81	86	79	75
	3	94	85	78	72	83	71	80	70	78	69	66
	4	87	76	69	63	75	62	73	61	70	61	58
	5	81	69	61	55	68	55	66	54	64	54	51
	6	75	63	55	49	62	49	60	48	59	48	46
	7	70	58	50	44	57	44	55	44	54	43	41
	8	66	53	45	40	52	40	51	40	50	39	37
	9	61	49	41	36	48	36	47	36	46	36	34
	10	58	46	38	33	45	33	44	33	43	33	31

Zonal lumens & percentages

Zone	Lumens	%Luminaire
0-30	1383	38.0%
0-40	2151	59.2%
0-60	3199	88.0%
0-90	3636	100.0%

Report#: 1595GFR

Output lumens:	3598 lms	Efficacy:	118.4lm/w
Spacing Criterion:	1.2	CCT ³ :	3500 K
Beam Angle:	87°	CRI:	80 min
Input Watts ² :	30.4W		

1. Tested using absolute photometry as specified in LM79: IESNA Approved Method for the Electrical and Photometric Measurements of Solid-State Lighting Products.
2. Wattage: controlled to within 5%
3. Correlated Color Temperature: within specs as defined in ANSI_NEMA_ANSI C78.377-2008: Specifications for the Chromaticity of Solid State Lighting Products.

The information presented in this document is not intended as any commercial offer and does not form part of any quotation or contract.

