

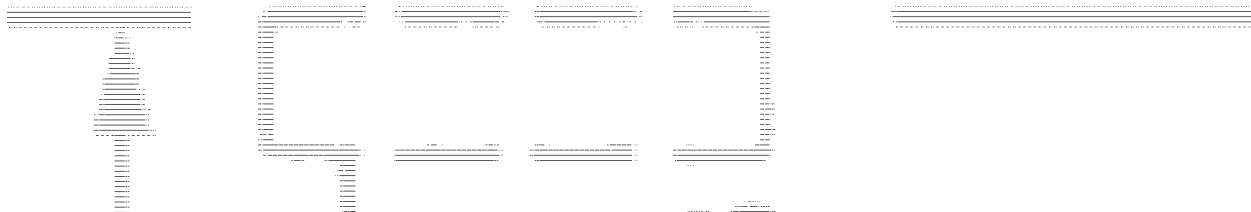
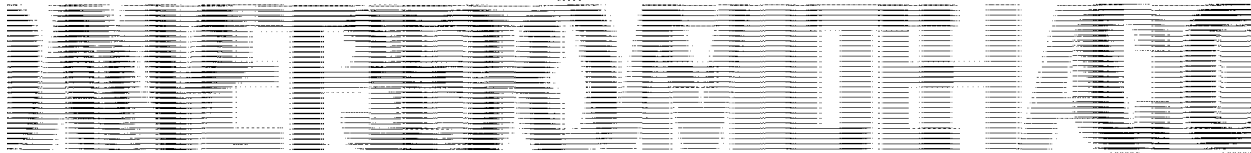
8235WH

Lytespan® Track Lighting System **8235WH**

PAR-Tech™ Cone 30 Shade

8235WH

8235BK



Ordering Information

Catalog No.	Finishes	Mounting	Lamps
8235WH 8235BK	Matte White Matte Black	All Lytespan Track Systems	PAR30, 75W Max. (Tungsten-Halogen)

Features

- Shade Attachment:** Zinc plated and painted C.R. steel. Bayonet fitting.
- Shade:** Single piece die-cast aluminum.
- Mounting Groove:** For accessories holder.
- Perimeter Venting**
- Color Accent Ring:** Silicone rubber. (Removable)

Labels

UL; I.B.E.W.

Finish

All painted finishes baked enamel.

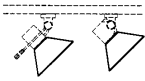
Options & Accessories

3 1/2" Beam Smoother, Beam Elongator and Louver. All require Accessory Holder 8583. See Lightolier Specification Sheets AF2LF, AF2AS.

Job Information	Type:
Job Name:	
Cat. No.:	
Lamp(s):	
Notes:	

Lightolier a Genlyte Thomas Company www.lightolier.com
 631 Airport Road, Fall River, MA 02720 • (508) 679-8131 • Fax (508) 674-4710
 We reserve the right to change details of design, materials and finish.
 © 2002 Genlyte Thomas Group LLC (Lightolier Division) • A0902

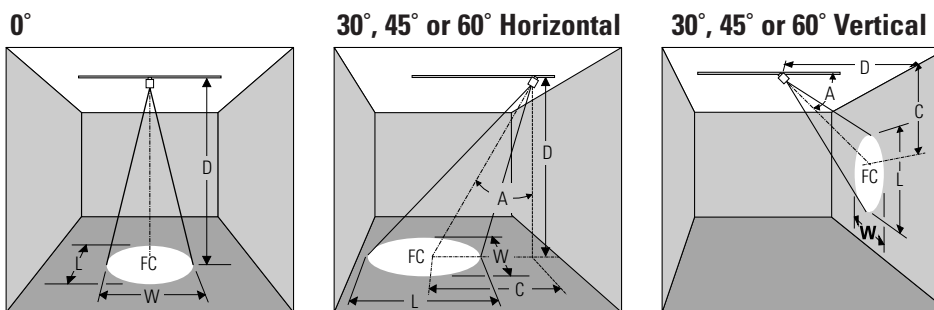
LIGHTOLIER®



Lighting Data Aiming Angle

- L** Beam Length
- W** Beam Width
- C** Distance to center beam
- D** Distance
- A** Aiming Angle
- FC** Footcandles

L and W are the outer points where the candle power drops to 50% of the maximum. FC are the initial footcandles at the center of the beam.



LAMP	Beam Spread 50% Max. CP	Beam Center C.P. Candelas	Rated Life-Hrs	0° AIMING ANGLE				A=30° AIMING ANGLE				A=45° AIMING ANGLE				A=60° AIMING ANGLE						
				D	FC	L	W	D	C	FC	L	W	D	C	FC	L	W	D	C	FC	L	W
50W PAR30 NSP (Halogen)	8°	9,200	2,000	7'	188	1.0'	1.0'	6'	3.5'	156	1.1'	1.0'	4'	4.0'	203	1.1'	0.8'	2'	3.5'	288	1.1'	0.6'
				10'	92	1.4'	1.4'	9'	5.2'	74	1.7'	1.5'	6'	6.0'	90	1.7'	1.2'	3'	5.2'	128	1.7'	0.8'
				13'	54	1.8'	1.8'	12'	6.9'	41	2.2'	1.9'	8'	8.0'	51	2.2'	1.6'	4'	6.9'	72	2.3'	1.1'
				16'	36	2.2'	2.2'	15'	8.7'	27	2.8'	2.4'	10'	10.0'	33	2.8'	2.0'	5'	8.7'	46	2.8'	1.4'
50W PAR30 NSP (Halogen-IR)	8°	17,000	3,000	8'	266	1.1'	1.1'	7'	4.0'	225	1.3'	1.1'	5'	5.0'	240	1.4'	1.0'	3'	5.2'	236	1.7'	0.8'
				12'	118	1.7'	1.7'	10'	5.8'	110	1.9'	1.6'	7'	7.0'	123	2.0'	1.4'	4'	6.9'	133	2.3'	1.1'
				16'	66	2.2'	2.2'	13'	7.5'	65	2.4'	2.1'	9'	9.0'	74	2.5'	1.8'	5'	8.7'	85	2.8'	1.4'
				20'	43	2.8'	2.8'	16'	9.2'	43	3.0'	2.6'	11'	11.0'	50	3.1'	2.2'	6'	10.4'	59	3.4'	1.7'
50W PAR30 NPL (Halogen)	25°	2,000	2,000	4'	125	1.8'	1.8'	3'	1.7'	144	1.8'	1.5'	3'	3.0'	79	2.8'	1.9'	1'	1.7'	250	2.1'	0.9'
				6'	58	2.7'	2.7'	5'	2.9'	52	3.0'	2.6'	4'	4.0'	44	3.7'	2.5'	2'	3.5'	63	4.2'	1.8'
				8'	31	3.5'	3.5'	7'	4.0'	27	4.2'	3.6'	5'	5.0'	28	4.7'	3.1'	3'	5.2'	28	6.2'	2.7'
				10'	20	4.4'	4.4'	9'	5.2'	16	5.4'	4.5'	6'	6.0'	20	5.6'	3.8'	4'	6.9'	16	8.3'	3.5'
50W PAR30 NFL (Halogen-IR)	25°	3,000	3,000	6'	83	2.7'	2.7'	5'	2.9'	78	3.0'	2.6'	3'	3.0'	118	2.8'	1.9'	2'	3.5'	94	4.2'	1.8'
				8'	47	3.5'	3.5'	7'	4.0'	40	4.2'	3.6'	5'	5.0'	42	4.7'	3.1'	3'	5.2'	42	6.2'	2.7'
				10'	30	4.4'	4.4'	9'	5.2'	24	5.4'	4.6'	7'	7.0'	22	6.5'	4.4'	4'	6.9'	23	8.3'	3.5'
				12'	21	5.3'	5.3'	11'	6.4'	16	6.6'	5.6'	9'	9.0'	12	8.4'	5.6'	5'	8.7'	15	10.4'	4.4'
50 PAR30 FL (Halogen)	35°	1,400	2,500	3'	158	1.9'	1.9'	3'	1.7'	101	2.6'	2.2'	2'	2.0'	124	2.8'	1.8'	1'	1.7'	175	3.6'	1.3'
				5'	56	3.2'	3.2'	5'	2.9'	36	4.3'	3.6'	3'	3.0'	55	4.2'	2.7'	2'	3.5'	44	7.2'	2.5'
				7'	29	4.4'	4.4'	7'	4.0'	19	6.1'	5.1'	4'	4.0'	31	5.6'	3.8'	3'	5.2'	19	10.8'	3.8'
				9'	17	5.7'	5.7'	9'	5.2'	11	7.8'	6.6'	5'	5.0'	20	7.0'	4.5'	4'	6.9'	11	14.4'	5.0'
50W PAR30 FL (Halogen-IR)	37°	1,600	3,000	3'	178	2.0'	2.0'	3'	1.7'	115	2.8'	2.3'	2'	2.0'	141	3.0'	1.9'	1'	1.7	200	4.0'	1.3'
				5'	64	3.3'	3.3'	5'	2.9'	42	4.6'	3.9'	3'	3.0'	63	4.5'	2.8'	2'	3.5'	50	8.1'	2.7'
				7'	33	4.7'	4.7'	7'	4.0'	21	6.5'	5.4'	4'	4.0'	35	6.0'	3.8'	3'	5.2'	22	12.1'	4.0'
				9'	20	6.0'	6.0'	9'	5.2'	13	8.3'	7.0'	5'	5.0'	23	7.5'	4.7'	4'	6.9'	13	18.1'	5.4'
75W PAR30 NSP (Halogen)	9°	14,000	2,500	8'	219	1.3'	1.3'	7'	4.0'	186	1.5'	1.3'	5'	5.0'	198	1.6'	1.1'	3'	5.2'	184	1.9'	0.9'
				12'	97	1.9'	1.9'	10'	5.8'	91	2.1'	1.8'	7'	7.0'	101	2.2'	1.6'	4'	6.8'	109	2.6'	1.3'
				16'	55	2.5'	2.5'	13'	7.5'	54	2.7'	2.4'	9'	9.0'	61	2.9'	2.0'	5'	8.7'	70	3.2'	1.6'
				20'	35	3.1'	3.1'	16'	9.2'	36	3.4'	2.9'	11'	11.0'	41	3.5'	2.4'	6'	10.4'	49	3.8'	1.9'
75W PAR30 NPL (Halogen)	30°	3,200	2,500	6'	89	3.2'	3.2'	5'	2.9'	83	3.7'	3.1'	3'	3.0'	126	3.5'	2.3'	2'	3.5'	100	5.5'	2.1'
				8'	50	4.3'	4.3'	7'	4.0'	42	5.1'	4.3'	5'	5.0'	45	5.8'	3.8'	3'	5.2'	44	8.2'	3.2'
				10'	32	5.4'	5.4'	9'	5.2'	26	6.6'	5.6'	7'	7.0'	23	8.1'	5.3'	4'	6.9'	25	10.9'	4.3'
				12'	22	6.4'	6.4'	11'	6.4'	17	8.1'	6.8'	9'	9.0'	14	10.4'	6.8'	5'	8.7'	16	13.7'	5.4'
75W PAR30 FL (Halogen)	40°	2,000	2,500	4'	125	2.9'	2.9'	3'	1.7'	144	3.0'	2.5'	3'	3.0'	79	5.0'	3.1'	1'	1.7'	250	4.8'	1.5'
				6'	56	4.4'	4.4'	5'	2.9'	52	5.1'	4.2'	4'	4.0'	44	6.7'	4.1'	2'	3.5'	63	9.7'	2.9'
				8'	31	5.8'	5.8'	7'	4.0'	27	7.1'	5.9'	5'	5.0'	28	8.4'	5.1'	3'	5.2'	28	14.5'	4.4'
				10'	20	7.3'	7.3'	9'	5.2'	16	9.1'	7.6'	6'	6.0'	20	10.1'	6.1'	4'	6.9'	16	19.3'	5.8'

LIGHTOLIER®

Job Information **Type:**

Lightolier a Genlyte Thomas Company www.lightolier.com
 631 Airport Road, Fall River, MA 02720 • (508) 679-8131 • Fax (508) 674-4710
 We reserve the right to change details of design, materials and finish.
 © 2002 Genlyte Thomas Group LLC (Lightolier Division) • A0902