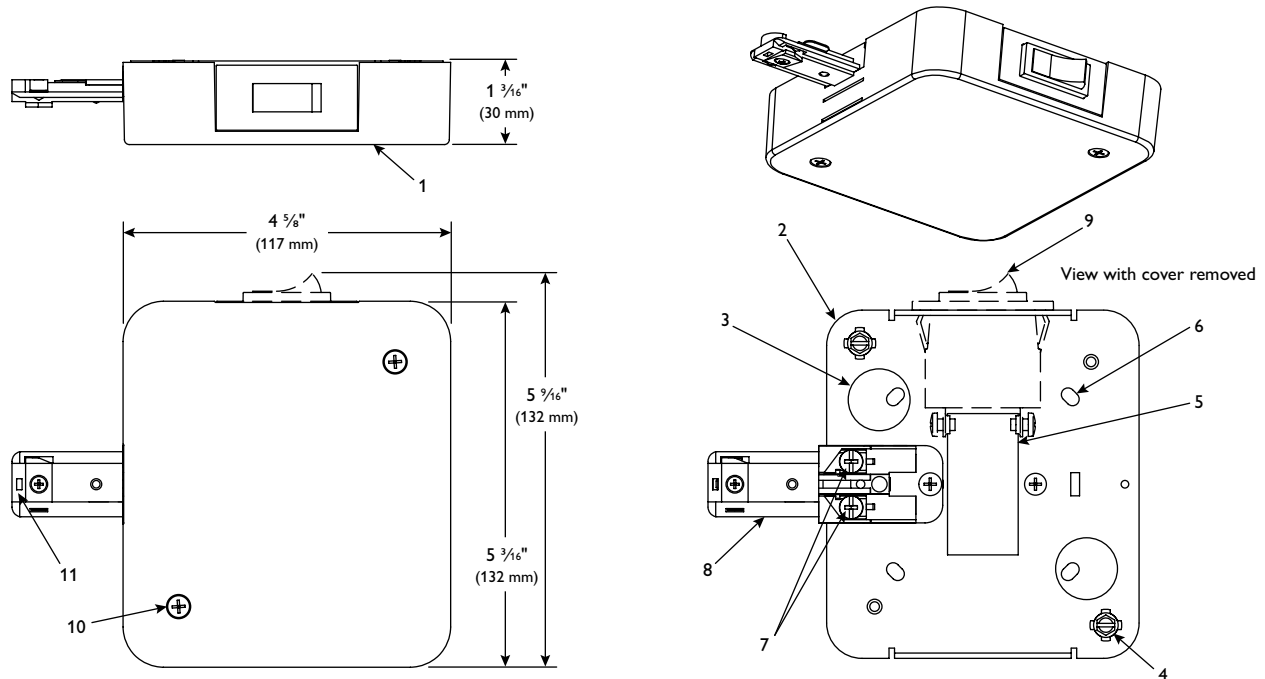


Lytespan, Radius, Live End PowerTrip Kit

Catalog number:

Notes:

Type:

**Ordering information** example: 9099WH

Catalog no.	Finish	Mounting	Compatible Plug-In Breakers
9099 Radius, Live End PowerTrip Kit	WH White BK Black	Mounts directly to surface or to a 4" octagonal outlet box. Connects to Radius Plain track units. Suitable for mounting to grid ceiling runners. Not for use with stem mounted Radius track.	Compatible with PLD power breakers. Refer to PLD120 spec sheet. Ordered Separately.

Features

- Wire Cover:** Plastic Polycarbonate. Includes code compliant warning label against tampering with device.
- Mounting Plate:** .075 thick galvanized steel.
- Round Knock Out:** (2) 7/8 dia. knockouts for electrical feed. Offset to accommodate grid ceiling runners.
- Ground Terminals:** (2) ground terminals for supply ground wire.
- Rectangular Knock Out:** Allows feeding from j-box with proper UL area for splice inspection without removing connector from j-box.
- Mounting Holes:** (4) holes on 3.5 in. centers secure connector to j-box or mounting surface.
- Track Connector Screw Terminals:** Each terminal accepts (2) 12 or 14 ga. copper feed wires.
- Radius Track Connector:** Keyed to maintain proper polarity with track. Installs into track providing electrical and mechanical connection.
- Circuit Breaker:** (Sold Separately). Limits the amount of electrical load that can be placed on the circuit. Can be used as standard On/Off switch. VA rating visible on breaker when installed.
- Cover Mounting Screws:** Tamper Resistant Pin Torx head steel screws secure cover to plate. Color matches fixture color.
- Tamper-proof Locking Screw:** Mechanically secures connector into track. Once installed the Tamper-proof Locking Screw can not be removed without permanently damaging the track.

Electrical

Capacity is 120 volts, 60Hz. All Lytespan Track luminaires are polarized and continuously grounded throughout. Electrical conductors are concealed in an insulating liner. Intended for wiring to branch circuit building wire with ground. All wiring must be in accordance with National and Local Codes.

Labels

U.L. listed.

Note: to assure full compliance with local energy codes and regulations check with your local code official.