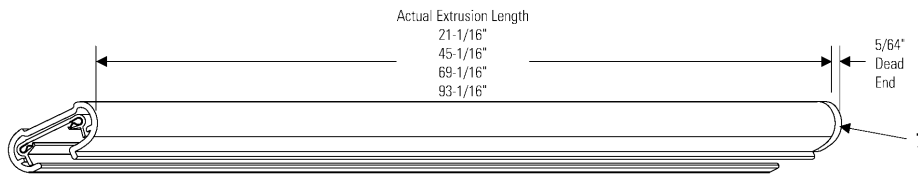
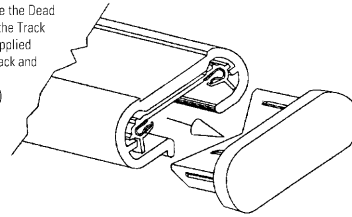


9060WH	9108WH	9150WH	9160WH	9185WH
9060BK	9108BK	9150BK	9160BK	9185BK
9102WH	9108RA	9151WH	9162WH	9186WH
9102BK	9147WH	9151BK	9162BK	9186BK
9104WH	9147BK	9153WH	9163WH	9187WH
9104BK	9148WH	9153BK	9163BK	9187BK
9104RA	9148BK	9155WH	9164WH	9189WH
9106WH	9149WH	9155BK	9164BK	9189BK
9106BK	9149BK		9184WH	9196WH
			9184BK	9196BK

Replace Dead End: Use the Dead End to cap the end of the Track Unit. A Dead End is supplied with each length of Track and Saddle Canopy.
56430WH (Dead End)
56430BK (Dead End)



Ordering Information

Finishes	2' Plain	4' Plain	6' Plain	8' Plain
Matte White	9102WH	9104WH	9106WH	9108WH
Matte Black	9102BK	9104BK	9106BK	9108BK
Raw Aluminum	9102RA	9104RA	9106RA	9108RA

Features

Radius Track Lytespan is a one circuit electrical distribution system designed to support and supply all Lytespan lighting units in a flexible manner. The track is available in 2', 4', 6' and 8' lengths. The track lengths may be combined with various electrical fittings to create straight runs or patterns. The track may be field cut at any location.

- Toggle Bolts and Screws:** furnished with track units.
- Radius Track:** .062" wall thickness. Aluminum extrusion.
- Conductors:** 20 amp. capacity. "U" shape provides reliable contact with connectors.
- Polarity Bead:** identifies the neutral conductor.
- Insulated liner:** .032" wall high temperature extruded thermoplastic.
- Insulated Washer:** (Furnished with Track) Insulates mounting screw from conductors.
- Dead End Cap:** molded thermoplastic.

Mounting

The track may be surface mounted to a ceiling or wall. The track may be stem mounted or mounted to a grid ceiling with flat or regressed panels. The track is not intended to be cable mounted.

Electrical

Capacity is 20 amps at 120V 60Hz per branch circuit (2400 watts max. per branch circuit). Track units and electrical fittings are polarized and continuously grounded throughout. The track must be wired in accordance with National Electric Code and Local Codes.

Mechanical

The electrical fittings plug into the track units and lock securely creating an electrical mechanical assembly. The aluminum track provides a rigid support that supports Lytespan lighting fixtures. Lytespan lighting fixtures may be attached at any point along the track.

Finish

All painted finishes are baked enamel. Raw Aluminum finish is clear anodized and furnished with black conductors.

Labels

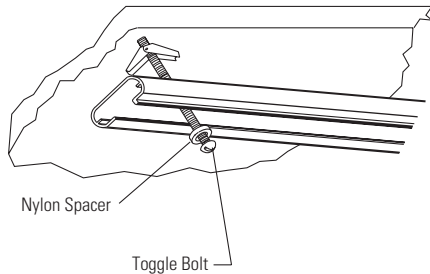
UL, I.B.E.W., cUL

Job Information	Type:
Job Name:	
Cat. No.:	
Lamp(s):	
Notes:	

631 Airport Road, Fall River, MA 02720 • (508) 679-8131 • Fax (508) 674-4710
 We reserve the right to change details of design, materials and finish.
 www.lightolier.com © 2009 Philips Group • D0309

Direct Mounting

Toggle Bolts and Nylon Insulators are furnished with the Track: 2 per 2', 4', and 6', 3 per 8'. Mount toggles through existing holes in track. Top of track is flush to ceiling. *Recommended for wall and ceiling mounting. Additional supports may be required when wall mounting or when using heavy lighting fixtures on the Radius track.*



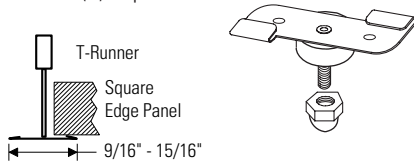
Suspended Grid Ceiling Mounting Clips

Square Edge Panels and 9/16" - 15/16" T-Bars

Clip attaches at any point along a straight section of T-Bar by rotating the clip. Pass clip stud through existing holes in track and secure with nut.

Additional supports may be required when supporting heavy lighting fixtures on the Radius track.

9189 (9) Clips



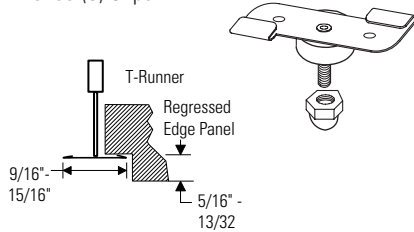
Regressed Edge Panel Mounting Clips

9/16" - 15/16" T-Bars

Clip attaches at any point along a straight section of T-Bar by rotating the clip. Pass clip stud through existing holes in track and secure with nut.

Additional supports may be required when supporting heavy lighting fixtures on the Radius track.

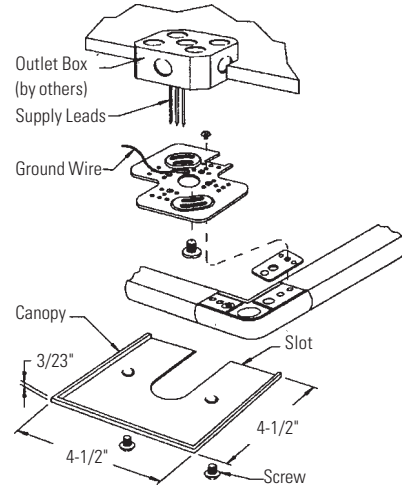
9188 (9) Clips



Junction Box Cover

Mounts above "L" feed 9155WH,BK or "T" 9151WH, BK. Mounts to a 4" or 3" octagon outlet box. Direct mount track to surface. Canopy is 3/32" thick and 4-1/2" square.

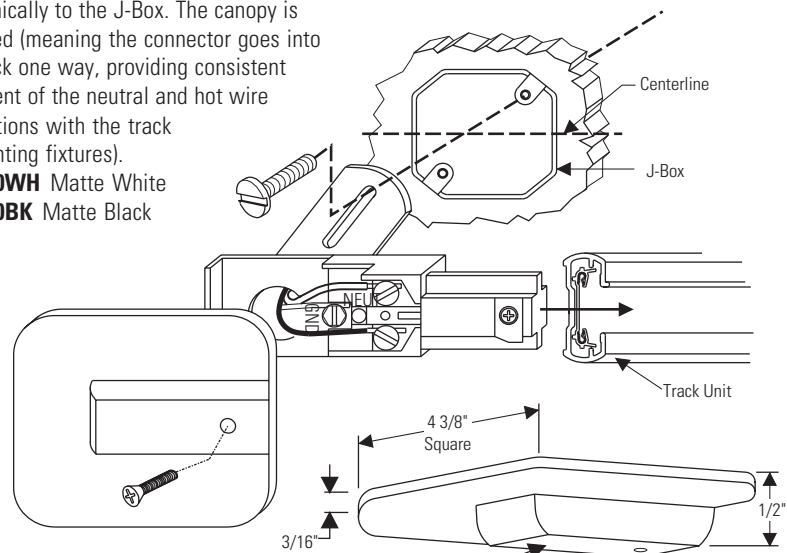
9060WH Matte White
9060BK Matte Black



Live End Canopy

Mounts directly under a 4" or 3" octagonal outlet box. Live End Canopy attaches mechanically to the J-Box. The canopy is polarized (meaning the connector goes into the track one way, providing consistent alignment of the neutral and hot wire connections with the track and lighting fixtures).

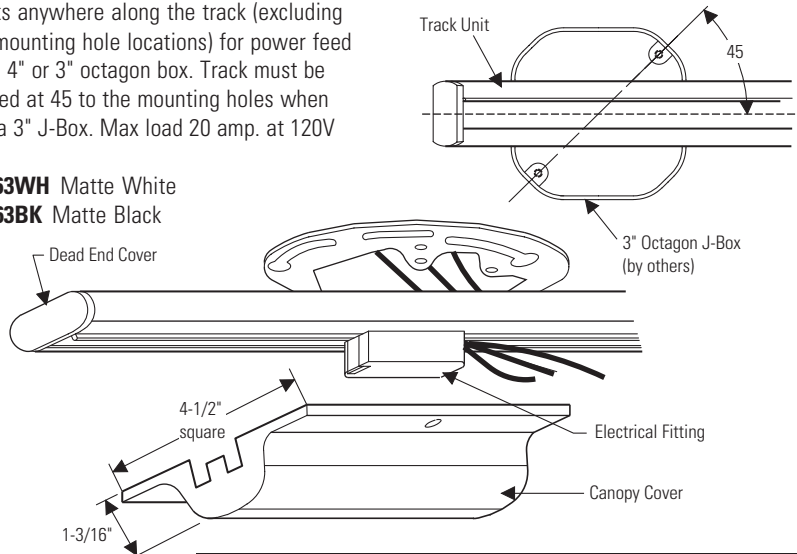
9160WH Matte White
9160BK Matte Black



Saddle Canopy Kit

Mounts anywhere along the track (excluding track mounting hole locations) for power feed from a 4" or 3" octagon box. Track must be mounted at 45° to the mounting holes when using a 3" J-Box. Max load 20 amp. at 120V 60Hz.

9163WH Matte White
9163BK Matte Black



Job Information	Type:
-----------------	-------

631 Airport Road, Fall River, MA 02720 • (508) 679-8131 • Fax (508) 674-4710
We reserve the right to change details of design, materials and finish.
www.lightolier.com © 2009 Philips Group • D0309

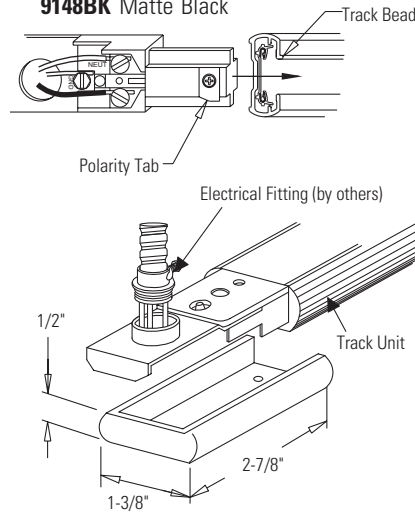
Live End

The Live End has an integral thread that accepts a standard electrical fitting with a 1/2-14 thread. The Live End is polarized. The polarity tab must point away from the track bead.

Do not use the Live End as a support. A separate support for the conduit must be used.

9148WH Matte White

9148BK Matte Black

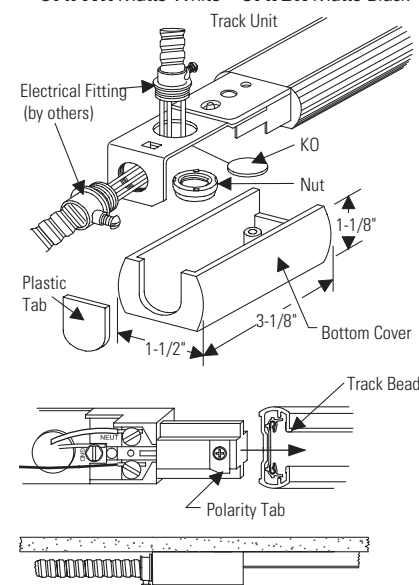


Surface Feed Connector

Feed power to the connector from surface or from directly above. For surface feeding, tab breaks off Bottom Cover; a 3/8" trade size electrical fitting attaches directly to the Surface Feed Connector. A 7/8" KO and nut are applied for direct feed from above using standard 3/8" trade size electrical fitting. The Surface Feed Connector is polarized. The polarity tab must point away from the track bead.

Do not use the Surface Connector as a conduit support. A separate support for the conduit must be used.

9147WH Matte White **9147BK** Matte Black



Stem Wire Cover

(Stem Kits sold separately)

Use the stem wire cover to feed power into the track using any stem kit. The stem wire cover is compatible with 4", 6", and 8" track units. Power may be fed into the Live End Connector (9148WH/BK), "L"/In-Line (9150WH/BK, "T" 9151 WH/BK), L/In-Line (9155WH/BK) and Surface Feed Connector (9147WH/BK). The stem for power feed must be directly adjacent to the power feed connector. The center of the stem should be located 9-15/32" from the edge of to the power feed the track unit.

9187WH Matte White

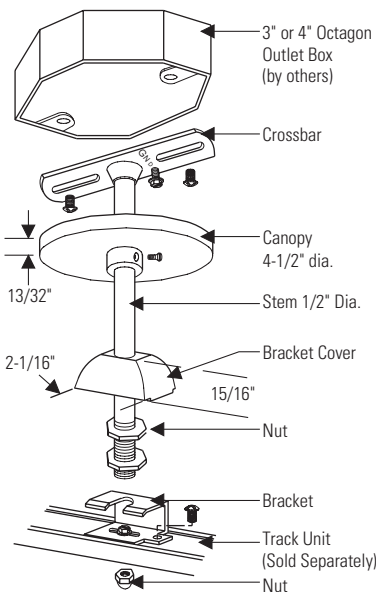
9187BK Matte Black

Stem Kit

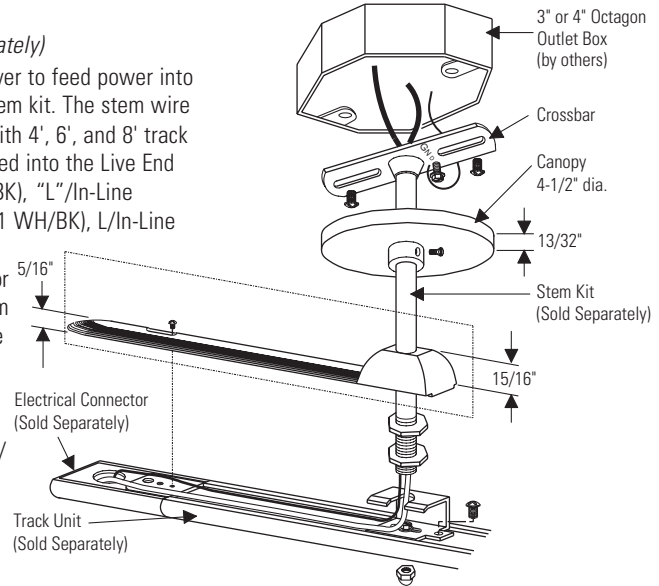
Mounts to a 4" or 3" octagon J-BOX for electrical feed and directly to the ceiling surface for nonelectrical feed stems. The stem is attached to the track through the existing holes in the track unit. The stem cannot be field cut or wall mounted.

Do not mount the stem directly to the electrical connector. Do not exceed 4' between stem units.

Length:	18"	36"	48"
Matte White	9184WH	9185WH	9186WH
Matte Black	9184BK	9185BK	9186BK



Radius™ Track 1 Circuit Track



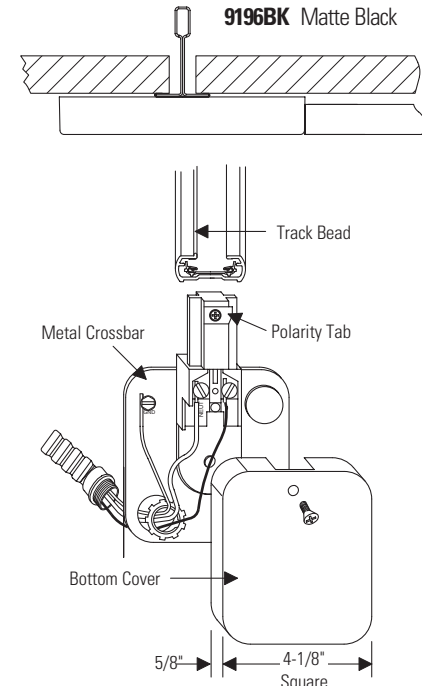
"T"-Bar Canopy

Use T-Bar Canopy to feed power to the track when installing the track on a grid ceiling. Mount the track using T-Bar Clips 9188 or 9189. A 7/8 KO allows direct feed using a 3/8 trade size electrical fitting. The T-Bar Canopy is polarized. The polarity tab must point away from the Track Bead.

Do not use T-Bar Canopy as a conduit support. A separate support for the conduit must be used.

9196WH Matte White

9196BK Matte Black

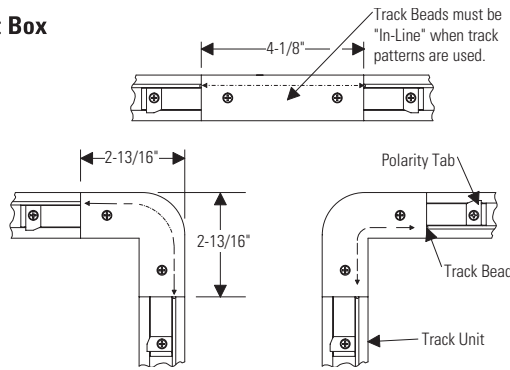


Job Information Type:

631 Airport Road, Fall River, MA 02720 • (508) 679-8131 • Fax (508) 674-4710
 We reserve the right to change details of design, materials and finish.
 www.lightolier.com © 2009 Philips Group • D0309

Feed Connectors for Surface and Mounted Patterns – Use 12ga. or 14ga. solid wire when feeding track.

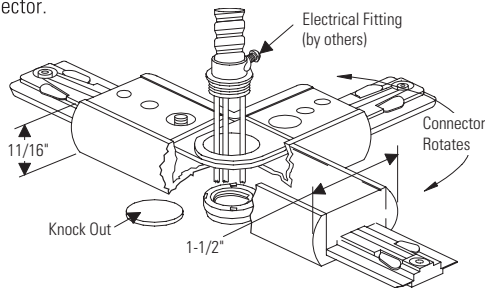
Power Feed Without Outlet Box



"L"/In-Line Feed Connector

The pre-wired connector adjusts to create a 90° or straight track pattern. Power may be fed into the connector or it may be used for power continuation without a feed. The connector accepts a standard 3/8 trade size electrical fitting for power feed. The connector is polarized and pre-wired. The jumper wires may be removed if needed. A straight plastic cover is supplied to create an In-Line Connector.

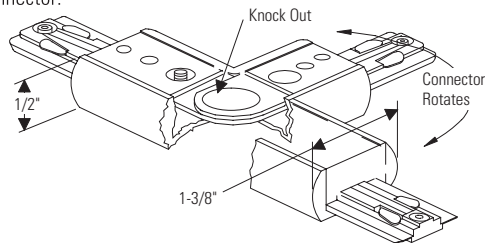
- 9155WH Matte White
- 9155BK Matte Black



Flush "L"/In-Line Connector

The connector is polarized and pre-wired. The connector adjusts to create a 90° or straight track pattern. Power may be fed into the connector using a stem kit with wire cover, or Junction Box Cover 9060WK/BK. The jumper wires may be removed. A straight plastic cover is supplied to create an In-Line Connector.

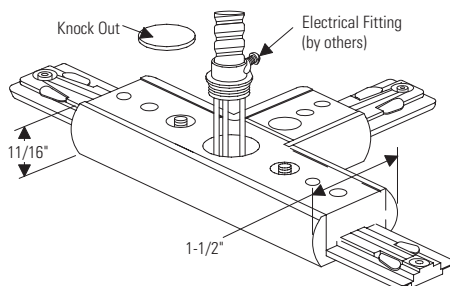
- 9150WH Matte White
- 9150BK Matte Black



"T" Feed Connector

The connector is used to create a "T" pattern with radius track. Power may be fed into the connector using a standard 3/8 trade size electrical fitting or from a 4" Octagon outlet box using a "Junction Box Cover" 9060WH, BK. The connector is *not* polarized and *not* pre-wired. Four 12 ga. jumper wires are included to make all necessary connections. Each leg of the connector has two screw terminals for connecting the wires. The leg(s) may be un-wired and used as a dead end. *Do not use the "T" Connector as a conduit support. A separate support for the conduit must be used.*

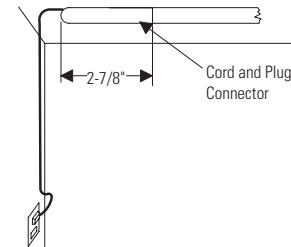
- 9151WH Matte White
- 9151BK Matte Black



Cord and Plug

Energizes track from a polarized 120V receptacle. Supplied with a 15' two conductor 18 ga. cord and in-line switch. The switch is not supplied attached to the cord. The connector is rated for 6 amps. Max. *Do not exceed 1200 watts on the track without switch. Do not exceed 720 watts on the track with switch.*

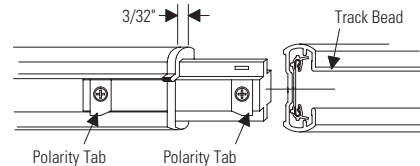
- 9162WH Matte White
- 9162BK Matte Black



Mini Coupler

Used to connect two pieces of track mechanically and electrically. Power cannot be fed into the Mini Coupler. *The Mini Coupler is polarized. The Polarity Tabs must point away from the track beads.*

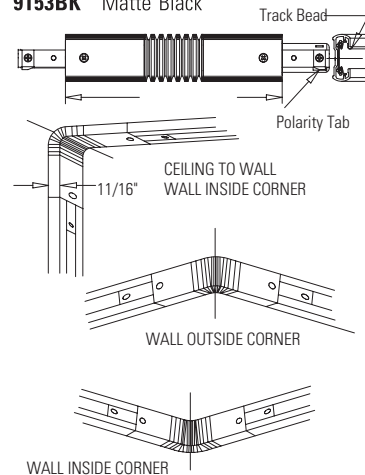
- 9149WH Matte White
- 9149BK Matte Black



Variable Angle Connector

The Variable Angle Connector is pre-wired and polarized. The polarity tab must point away from the Track Bead. The connector flexes to any angle between 0° and 90°. *Power cannot be fed into the Variable Angle.*

- 9153WH Matte White
- 9153BK Matte Black



Job Information	Type:
------------------------	--------------

631 Airport Road, Fall River, MA 02720 • (508) 679-8131 • Fax (508) 674-4710
 We reserve the right to change details of design, materials and finish.
 www.lightolier.com © 2009 Philips Group • D0309