

Ordering Information

Catalog No.	Finishes	Track Mountings	Lamps
9476WH 9476BK 9476AL	Matte White Matte Black Metallic Aluminum	Compatible with all Lytespan® Track Systems. Not compatible with ProSpec Track, Clamp-On Monopoint, Slope Ceiling Adapter or Extension Wands.	2 x 54w T5 High Output (Fluorescent)
9477WH 9477BK 9477AL	Matte White Matte Black Metallic Aluminum		1 x 54w T5 High Output (Fluorescent) MX1=MARK 10 DIMMING BALLAST

Features

- Ballast & Reflector Housing:** Aluminum with die-cast endcaps.
- Ballast:** 54w electronic.
- Flood Reflector:** Aluminum, with highly reflective and semispecular finish for a smooth wash of light.
- Louver:** Aluminum, for glare control, with captive locking springs for easy installation and removal.
- Vertical Pivot:** Die cast rotation housing with positive rotation stop provides 0° (NADIR) –130° vertical rotation in both directions.
- Sockets:** 600v rated mini bi-pin sockets with 90° rotor lock to engage contacts and retain with a positive detent.
- Socket Bracket:** Adjustable steel, mounting bracket slides out for easy lamping.
- Attachment Fitting:** Molded polycarbonate; pin rotates fitting into track to engage luminaire
- Brass Contact:** Extends for connection to second circuit in Advent® Lytespan track.
- Track Adapter Arm:** Die-cast aluminum with integral polarity keyguard.

Electrical

Rapid Start High Power Factor, Class P Electronic Ballast
Power Factor: > .97%
Sound Rated: A
Minimum Start Temp: 0°F
Input Watts: 9476 117W
 9477 59W

Finish

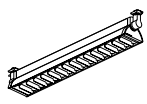
All painted finishes are baked enamel.

Label

UL, c.U.L.

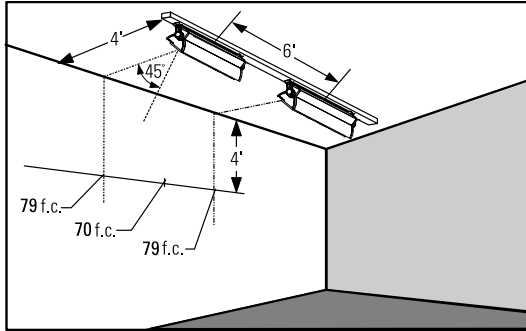
Advent® is a registered trademark of Lightolier.

Job Information	Type:
Job Name:	
Cat. No.:	
Lamp(s):	
Notes:	



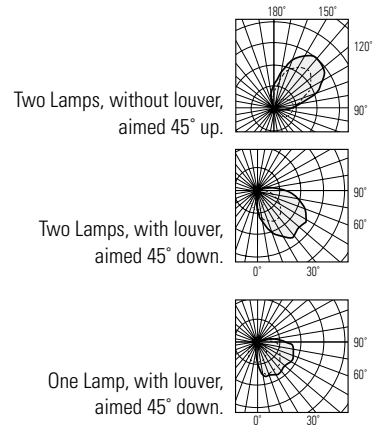
Lighting Data 2-54W T5 High Output

Footcandles on wall:



EXAMPLE: With track located 4' from wall and multiple units spaced 6' on center and aimed 45° from horizontal, the illumination on wall 4' from ceiling will be 79 f.c. beneath units and 70 f.c. between units.

Lamp Information:
 2 X 54W T5 High Output
 Mini Bi-Pin Fluorescent (9476)
 1 x 54W T5 High Output
 Mini Bi Pin Fluorescent (9477)



Footcandles on Wall

Track 3 Feet From Wall

Single Unit

Distance From Ceiling	3'					
	0'	1'	2'	3'	4'	5'
	Beam Center					
1'	198	176	118	60	28	14
2'	158	142	90	52	24	10
3'	103	94	69	41	22	10
4'	68	63	49	33	20	12
5'	40	38	30	22	14	8
6'	26	25	21	16	12	8
7'	17	16	14	11	8	6
8'	11	11	10	8	6	5
9'	8	8	7	6	5	4

Multiple Units

4'			5'			6'			
1'	263	258	263	231	184	231	218	127	218
2'	209	206	209	180	150	180	168	106	168
3'	149	148	149	124	112	124	112	84	112
4'	116	116	116	97	92	97	87	74	87
5'	71	71	71	57	55	57	49	44	49
6'	56	56	56	47	46	47	41	38	41
7'	38	38	38	31	31	31	27	26	27
8'	27	27	27	22	22	22	19	18	19
9'	22	22	22	18	18	18	16	15	16

Track 4 Feet From Wall

Single Unit

Distance From Ceiling	4'					
	0'	1'	2'	3'	4'	5'
	Beam Center					
1'	113	101	71	39	17	6
2'	114	104	77	47	25	12
3'	87	80	62	40	24	13
4'	63	59	47	34	22	13
5'	46	44	36	27	19	13
6'	31	30	25	20	14	10
7'	22	21	18	15	11	8
8'	16	15	13	11	9	7
9'	11	11	10	8	7	6

Multiple Units

4'			5'			6'			
1'	145	143	145	123	106	123	114	76	114
2'	164	163	164	136	123	136	123	92	123
3'	136	135	136	110	103	110	97	79	97
4'	112	112	112	91	88	91	79	70	79
5'	93	93	93	77	75	77	66	62	66
6'	66	66	66	54	53	54	46	43	46
7'	50	50	50	41	40	41	35	34	35
8'	41	42	42	35	34	35	30	29	30
9'	31	32	32	26	26	26	23	22	23

Track 5 Feet From Wall

Single Unit

Distance From Ceiling	5'					
	0'	1'	2'	3'	4'	5'
	Beam Center					
1'	81	75	59	40	25	15
2'	83	77	61	42	27	16
3'	75	70	57	41	28	18
4'	55	52	43	32	23	15
5'	42	40	34	27	19	14
6'	33	31	27	22	17	12
7'	25	24	21	17	14	11
8'	18	17	15	13	10	8
9'	13	13	12	10	9	7

Multiple Units

4'			5'			6'			
1'	140	139	140	115	109	115	102	86	102
2'	147	147	147	121	116	121	107	93	107
3'	143	143	143	118	115	118	104	94	104
4'	109	109	109	89	87	89	76	71	76
5'	89	89	89	73	71	73	62	59	62
6'	76	76	76	62	61	62	53	51	53
7'	62	62	62	51	50	51	44	42	44
8'	46	46	46	37	37	38	32	31	32
9'	39	39	39	32	32	32	27	27	27

Footcandles are average and rounded off and data for multiple units are based on a minimum of five units.

Job Information Type:

Lightolier a Genlyte Thomas Company www.lightolier.com
 631 Airport Road, Fall River, MA 02720 • (508) 679-8131 • Fax (508) 674-4710
 We reserve the right to change details of design, materials and finish.
 © 2002 Genlyte Thomas Group LLC (Lightolier Division) • B0902

LIGHTOLIER®