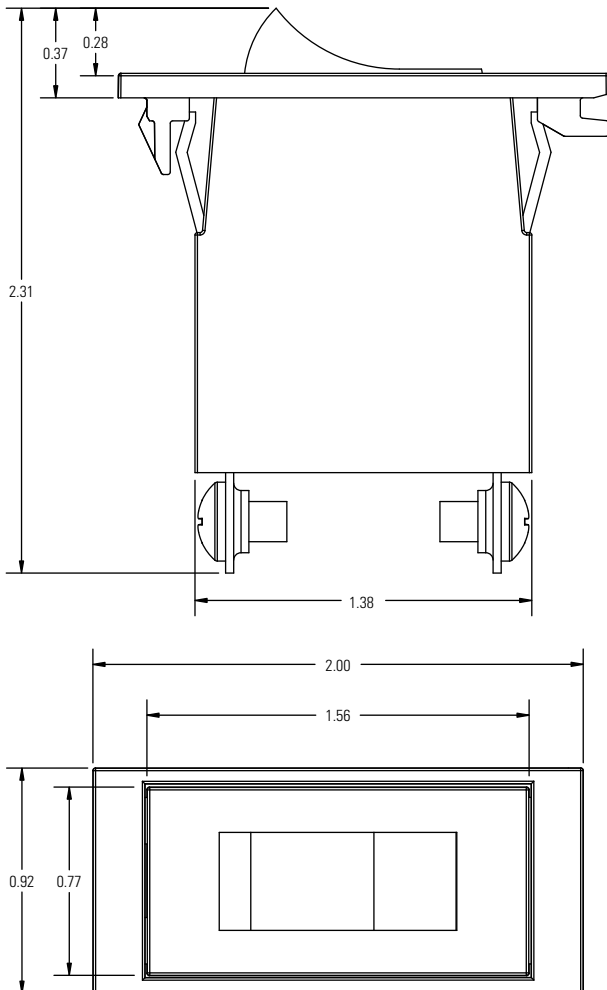


|           |                             |        |
|-----------|-----------------------------|--------|
| Project:  | Catalog No: <b>PLD120WH</b> | Mfg:   |
| Location: | Fixture Type:               | Qty:   |
| Notes:    |                             | Lamps: |



| Catalog Number  | Finish | Rating       | Mounting  | Compatible Connector Kits  |
|-----------------|--------|--------------|---|--|
| PLD120BK        | Black  | 120W, 1.0A   | Snaps in directly to any compatible PowerTrip Connector Kit | 9099WH, 9099BK<br>9033WH, 9033BK<br>6099WH, 6099BK<br>6033WH, 6033BK<br>6199WH, 6199BK<br>6133WH, 6133BK |
| <b>PLD120WH</b> | White  |              |   |  |
| PLD240BK        | Black  | 240W, 2.0A   |   |  |
| PLD240WH        | White  |              |   |  |
| PLD300BK        | Black  | 300W, 2.5A   |   |  |
| PLD300WH        | White  |              |   |  |
| PLD360BK        | Black  | 360W, 3.0A   |   |  |
| PLD360WH        | White  |              |   |  |
| PLD480BK        | Black  | 480W, 4.0A   |   |  |
| PLD480WH        | White  |              |   |  |
| PLD600BK        | Black  | 600W, 5.0A   |   |  |
| PLD600WH        | White  |              |   |  |
| PLD720BK        | Black  | 720W, 6.0A   |   |  |
| PLD720WH        | White  |              |   |  |
| PLD840BK        | Black  | 840W, 7.0A   |   |  |
| PLD840WH        | White  |              |   |  |
| PLD900BK        | Black  | 900W, 7.5A   |   |  |
| PLD900WH        | White  |              |   |  |
| PLD960BK        | Black  | 960W, 8.0A   |   |  |
| PLD960WH        | White  |              |   |  |
| PLD1080BK       | Black  | 1080W, 9.0A  |   |  |
| PLD1080WH       | White  |              |   |  |
| PLD1200BK       | Black  | 1200W, 10.0A |   |  |
| PLD1200WH       | White  |              |   |  |
| PLD1320BK       | Black  | 1320W, 11.0A |   |  |
| PLD1320WH       | White  |              |   |  |
| PLD1440BK       | Black  | 1440W, 12.0A |   |  |
| PLD1440WH       | White  |              |   |  |

### Features

- Wire Terminals:** #8 screws for 12 or 14 ga. solid copper wires.
- Reset Rocker:** Easy switch like breaker re-set actuator with ON/OFF markings. Red color indicates OFF position. Can be used as standard ON/OFF switch
- Panel Mount:** Breaker snaps into PowerTrip track connector without the use of tools.

### Electrical

Capacity is 120 volts, 60Hz. All Lytespan Track luminaires are polarized and continuously grounded throughout. Electrical conductors are concealed in an insulating liner. Intended for wiring to branch circuit building wire with ground. All wiring must be in accordance with National and Local Codes.

### Short Circuit Current Rating (AIC): 1kA

Use 90° C minimum supply wire.

### Labels

cULus listed.