

GP33

Cirque

CIRQUE-P / 15 IN / 1/22W LED/A-21/medium / 120V / Copper / WHT / 5741915857

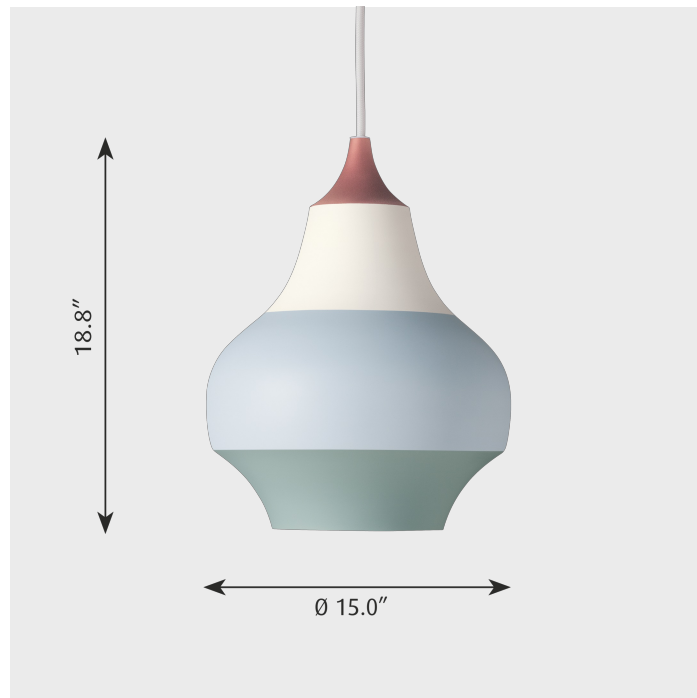
The fixture provides a downward glare-free soft light by means of the white lacquered inner reflector.

Project name:

Project type:

Notes:

LAMP; PHILIPS 536920
8A19PER822827E26CLGWGX10
1CT



Finish

Grey top, Copper top, Red top, Yellow top, wet painted.

Mounting

Canopy: White. Cord type: 3-conductor, 18 AWG white PVC power cord. Cord length: 12'.

Compliance

cUlus, Damp location.

Materials

Shield: Drawn aluminium.

Sizes and weight

Width x Height x Length (in.) | 8.7 x 11.6 x 8.7 Max 4.4 lbs | 15 x 18.8 x 15 Max 9.4 lbs | 5.9 x 7.4 x 5.9 Max 3.3 lbs

Light source

1/22W LED/A-21/medium

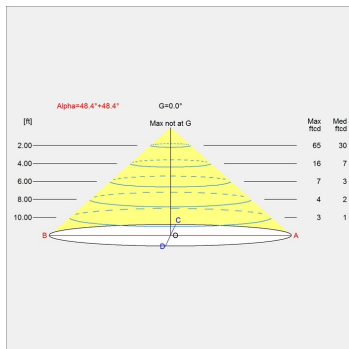
**louis
poulsen**

Design to Shape Light

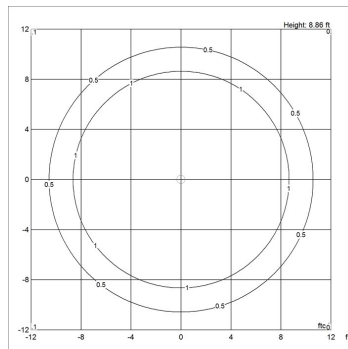
louis Poulsen.com

Light distribution diagrams

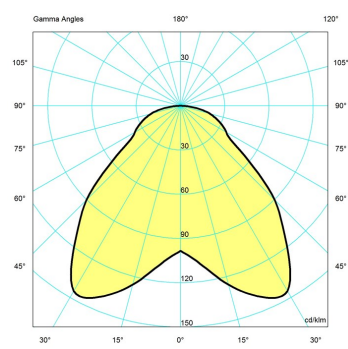
Cartesian



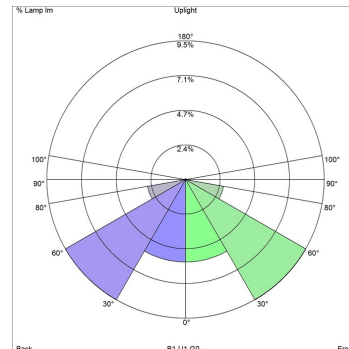
Isolux



Polar



Bug



Data specifications

BUG Rating	B1 U1 G0
Class	-
Efficacy	-
IK class	-
IP class	20
L80B10 (hours)	-
Length	15
Lumen	-
Net Weight	9.449
SDCM	-

Built-in Height	-
CRI	-
Height	18.8
Inrush Current	-
Kelvin	-
L80B50 (hours)	-
Light source	1/22W LED/A-21/medium
Min. Dim Level (%)	-
Power Factor (P = 100 % / P = 50 %)	-
Standby (W)	-

Surges	-
--------	---

Watt	-
------	---

Wind Load per m2	-
---------------------	---

UGR Transversal / Axial	22.3/22.3
----------------------------	------------------

Width	15
-------	-----------
