

DESCRIPTION

The Accord™ redefines lighting by improving on aesthetics, comfort and energy savings. The Accord provides the right amount of light while eliminating surface shadows commonly found in parabolics. Therefore, Accord increases the comfort level while providing significant energy savings.

The Accord is the ideal solution for offices, schools, hospitals, retail and other applications. It is designed for installations when the housing will be in direct contact with insulation.

Catalog #		Type	
Project		Date	
Comments			
Prepared by			

SPECIFICATION FEATURES

Construction

Shallow 3-1/4" deep housing is die formed of code gauge, prime cold rolled steel. Heavy gauge end plates are securely attached with screws for strength and rigidity and the elimination of gaps. End plates have integral grid-lock feature for safety and convenience. Four auxiliary fixture end suspension points are provided. KOs for continuous row wiring. Large access plate for supply connection.

Controls

Metalux LED luminaires come standard with 0-10V dimming drivers (1% standard). Options compatible with Eaton's Connected Lighting Systems:

- WaveLinx sensor
- LumaWatt Pro sensor
- SVPD sensor
- DLVP sensor and driver
- Fifth Light DALI driver

Other options include step-dimming and 3rd party drivers. Refer to the Connected Lighting options page and ordering information for more details.

Electrical

Long-Life LED system coupled with electrical driver to deliver optimal performance. LED's available in 3000K, 3500K or 4000K with a minimum CRI of 80. Projected life is 60,000 hours at 89% lumen output. Electronic drivers are available for 120-277V and 347V applications.

Emergency Battery Pack Option

Optional 120V-277V integral emergency battery pack is available in 7-watts or 14-watts to meet critical life-safety lighting requirements. The 90-minute batteries provide constant power to the LED system, ensuring code-compliance. A test switch/indicator button can be tested safely from the ground using a laser pointer, while the patented EZ Key prevents accidental discharge of the battery during construction. Emergency/generator transfer options available – see ordering information for details.

Driver Access

Driver can be accessed from below without tools.

Finish

Durable cold rolled steel with multistage, iron phosphate pretreatment and white enamel finish to ensure maximum bonding and rust inhibition.

Reflectors

Reflector has high reflectance baked matte white enamel finish for luminous uniformity.

Shielding

Positively retained frosted acrylic profile lenses provide a soft but effective distribution of light.

Compliance

Modules are UL recognized components and indoor luminaires are cULus listed for 25°C ambient environments, RoHS compliant, and LED modules comply with IESNA LM-79 and LM-80 standards. DesignLights Consortium® Qualified and classified for both DLC Standard and DLC Premium, refer to www.designlights.org for details.

Warranty

Five year warranty.



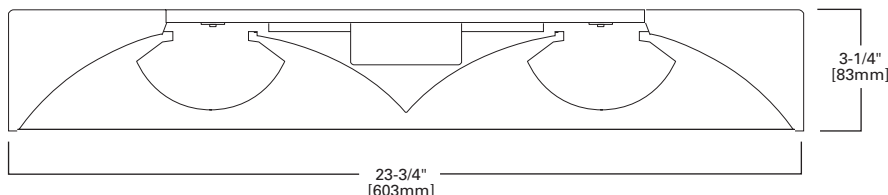
**22AC
LED**

**2' X 2' TROFFER
LED MODULE**

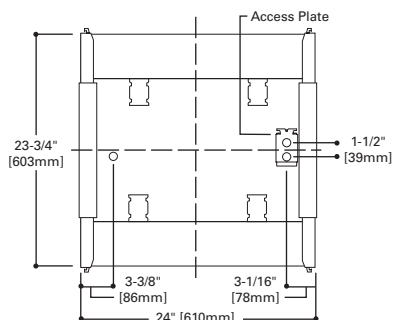
Specification Grade Troffer



Connected Systems
[CLICK HERE](#)

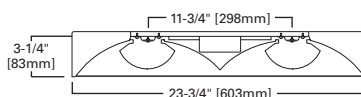


MOUNTING DATA



NOTE: 2' x 2' and 2' x 4' allow for row mounting

LAMP CONFIGURATIONS



CEILING COMPATIBILITY

G Grid/Lay-in Standard	F Drywall Frame Kit	Ceiling Type**	Trim Type
		Exposed Grid	G
		Concealed T	G or T
		Slot Grid	G or T
		Flange	***

CERTIFICATION DATA

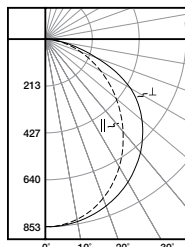
cULus - 1598
 Damp Location Listed
 IC Rated
 LM79/LM80 Compliant
 ROHS Compliant
 DesignLights Consortium® Qualified

***See Drywall Frame Kit Accessory

LINEAR DISCONNECT
 Safe and convenient means of
 disconnecting power



PHOTOMETRICS



22AC-LD5-23-UNV-L835-CD1-U

Electronic Driver
 Linear LED 3500K
 Spacing criterion:
 (H) 1.18 x mounting
 height, (L) 1.31 x
 mounting height
 Lumens: 2392
 Input Watts: 19.5W
 Efficacy: 122.7 lm/W
 Test Report:
 22AC-LD5-23-UNV-
 L835-CD1-U.IES

Candlepower

Angle	Along H	45°	Across L
0	852	852	852
5	848	846	851
10	832	833	842
15	806	813	827
20	769	785	807
25	724	750	782
30	672	709	751
35	613	661	713
40	550	611	673
45	485	556	625
50	420	497	574
55	357	438	516
60	293	376	448
65	230	313	356
70	173	245	247
75	119	169	157
80	68	94	86
85	26	31	31
90	0	0	0

Coefficients of Utilization

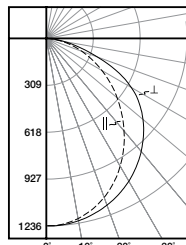
rc rw RCR	Effective floor cavity reflectance 20%																							
	80%				70%				50%				30%				10%				0%			
	70	50	30	10	70	50	30	10	50	30	10	50	30	10	50	30	10	50	30	10	50	30	10	0
0	119	119	119	119	116	116	116	116	111	111	111	106	106	106	102	102	102	100	100	100	100	100	100	100
1	109	104	100	96	106	102	98	94	98	94	91	94	91	89	90	88	86	84	84	84	84	84	84	84
2	99	91	84	78	96	89	82	77	85	80	75	82	77	74	79	75	72	70	70	70	70	70	70	70
3	90	80	71	65	88	78	70	64	75	68	63	72	67	62	70	65	61	59	59	59	59	59	59	59
4	82	70	62	55	80	69	61	54	67	59	54	64	58	53	62	57	52	50	50	50	50	50	50	
5	76	63	54	47	74	62	53	47	60	52	46	58	51	46	56	50	45	43	43	43	43	43	43	
6	70	57	48	41	68	56	47	41	54	46	41	52	45	40	51	45	40	38	38	38	38	38	38	
7	65	51	42	36	63	50	42	36	49	41	36	47	41	36	46	40	35	33	33	33	33	33	33	
8	60	47	38	32	59	46	38	32	45	37	32	44	37	32	42	36	32	30	30	30	30	30	30	
9	56	43	35	29	55	42	34	29	41	34	29	40	33	29	39	33	29	27	27	27	27	27	27	
10	53	40	32	26	52	39	31	26	38	31	26	37	31	26	36	30	26	24	24	24	24	24	24	

Zonal Lumen Summary

Zone	Lumens	% Fixture
0-30	657	27.5
0-40	1071	44.8
0-60	1891	79.1
0-90	2392	100.0
0-180	2392	100.0

Luminance Data

Angle in Deg	Average 0-Deg cd/sm	Average 45-Deg cd/sm	Average 90-Deg cd/sm
45	1846	2116	2379
55	1675	2055	2421
65	1465	1993	2267
75	1237	1757	1632
85	803	957	957



22AC-LD5-34-UNV-L835-CD1-U

Electronic Driver
 Linear LED 3500K
 Spacing criterion:
 (H) 1.18 x mounting
 height, (L) 1.31 x
 mounting height
 Lumens: 3466
 Input Watts: 30.2W
 Efficacy: 114.8 lm/W
 Test Report:
 22AC-LD5-34-UNV-
 L835-CD1-U.IES

Candlepower

Angle	Along H	45°	Across L
0	1234	1234	1234
5	1229	1230	1236
10	1206	1207	1220
15	1167	1176	1198
20	1115	1137	1169
25	1049	1086	1132
30	972	1026	1087
35	888	958	1033
40	797	883	973
45	703	805	906
50	610	721	832
55	517	636	748
60	424	545	647
65	335	455	518
70	253	355	359
75	173	241	226
80	100	134	124
85	39	44	45
90	0	0	0

Coefficients of Utilization

rc rw RCR	Effective floor cavity reflectance 20%																							
	80%				70%				50%				30%				10%				0%			
	70	50	30	10	70	50	30	10	50	30	10	50	30	10	50	30	10	50	30	10	50	30	10	0
0	119	119	119	119	116	116	116	116	111	111	111	106	106	106	102	102	102	100	100	100	100	100	100	100
1	109	104	100	96	106	102	98	94	98	94	91	94	91	89	90	88	86	84	84	84	84	84	84	84
2	99	91	84	78	96	89	82	77	85	80	75	82	77	74	79	75	72	70	70	70	70	70	70	70
3	90	80	71	65	88	78	70	64	75	68	63	72	67	62	70	65	61	59	59	59	59	59	59	59
4	82	70	62	55	80	69	61	54	67	59	54	64	58	53	62	57	52	50	50	50	50	50	50	
5	76	63	54	47	74	62	53	47	60	52	46	58	51	46	56	50	45	43	43	43	43	43	43	
6	70	57	48	41	68	56	47	41	54	46	41	52	45	40	51	45	40	38	38	38	38	38	38	
7	65	51	42	36	63	50	42	36	49	41	36	47	41	36	46	40	35	33	33	33	33	33	33	
8	60	47	38	32	59	46	38	32	45	37	32	43	37	32	42	36	32	30	30	30	30	30	30	
9	56	43	35	29	55	42	34	29	41	34	29	40	33	29	39	33	29	27	27	27	27	27	27	
10	53	40	32	26	52	39	31	26	38	31	26	37	31	26	36	30	26	24	24	24	24	24	24	

Zonal Lumen Summary

Zone	Lumens	% Fixture
0-30	951	27.4
0-40	1551	44.8
0-60	2740	79.0
0-90	3466	100.0
0-180	3466	100.0

Luminance Data

Angle in Deg	Average 0-Deg cd/sm	Average 45-Deg cd/sm	Average 90-Deg cd/sm
45	2675	3064	3448
55	2426	2984	3509
65	2133	2897	3298
75	1799	2506	2350
85	1204	1359	1389

LUMEN MAINTENANCE

Ambient Temperature	TM-21 Lumen Maintenance (60,000 hours)	Theoretical L70 (Hours)
25°C	> 89%	> 178,000

ENERGY AND PERFORMANCE DATA BY CATALOG NUMBER

Stock or MTO*	Catalog Logic (Curved)	Delivered Lumens	Watts	Efficacy (LPW)
MTO	22AC-LD5-20-UNV-L830-CD1-U	1997	16.7	119
MTO	22AC-LD5-20-UNV-L835-CD1-U	2076	16.7	124
MTO	22AC-LD5-20-UNV-L840-CD1-U	2118	16.7	127
MTO	22AC-LD5-23-UNV-L830-CD1-U	2301	19.5	118
Stock	22AC-LD5-23-UNV-L835-CD1-U	2392	19.5	123
Stock	22AC-LD5-23-UNV-L840-CD1-U	2440	19.5	125
MTO	22AC-LD5-27-UNV-L830-CD1-U	2599	22.4	116
MTO	22AC-LD5-27-UNV-L835-CD1-U	2702	22.4	121
MTO	22AC-LD5-27-UNV-L840-CD1-U	2756	22.4	123
MTO	22AC-LD5-34-UNV-L830-CD1-U	3334	30.2	110
Stock	22AC-LD5-34-UNV-L835-CD1-U	3466	30.2	115
Stock	22AC-LD5-34-UNV-L840-CD1-U	3535	30.2	117
MTO	22AC-LD5-38-UNV-L830-CD1-U	3681	34.3	107
MTO	22AC-LD5-38-UNV-L835-CD1-U	3827	34.3	112
MTO	22AC-LD5-38-UNV-L840-CD1-U	3904	34.3	114
MTO	22AC-LD5-44-UNV-L830-CD1-U	4270	42.3	101
MTO	22AC-LD5-44-UNV-L835-CD1-U	4439	42.3	105
MTO	22AC-LD5-44-UNV-L840-CD1-U	4528	42.3	107

*Made to order (MTO) requires a typical three week lead time.

ORDERING INFORMATION

SAMPLE NUMBER: 22AC-LD5-34-UNV-L835-CD1-U

<p>Rating [Blank]=Standard ATW-SW4=Chicago Rated</p> <p>Series⁽⁶⁾ 22AC=2' x 2' Accord Series</p> <p>Type [Blank]=Standard A=Air(vented)⁽³⁾</p>	<p>Lamp Type LD5=LED 5.0</p> <p>Stock Lumen Outputs 23=2300 Lumens⁽⁶⁾ 34=3400 Lumens</p> <p>MTO Lumen Outputs 20=2000 Lumens⁽⁶⁾ 27=2700 Lumens⁽⁶⁾ 38=3800 Lumens 44=4400 Lumens</p>	<p>Shielding [Blank]=Standard Lens SQP=Lens with Square Pattern Insert RDP=Lens with Round Pattern Insert</p> <p>Voltage⁽¹⁾ UNV=Universal Voltage 120-277 347V=347 Volt⁽⁵⁾ 48V=48 Volt Low-voltage (Class 2)⁽³⁾</p>	<p>Driver Type CD=0-10V Dimming Driver (1%-100% Dimming) SR=Sensor-ready Dimming Driver for LWIPD1 option (1%-100% Dimming)⁽⁸⁾ 5LTD=Fifth Light DALI Driver (10%-100% Dimming)^{(4),(E)} 5LTHD=Fifth Light Dimming Driver (1%-100% Dimming)^(E) LV1=DLVP Dimming Driver (0%-100% Dimming)^(C) SD=Step Dimming Driver (50% or 100% Dimming)⁽⁶⁾ LH=Lutron HiLume (LDE1 series) 1%-100% EcoSystem Driver with Soft-on Fade to Black dimming^(F) L5=Lutron 5 Series (LDE5-Series) 5%-100% EcoSystem Driver^(F) LU=Lutron HiLume (L3D series) 1%-100% EcoSystem/3-wire Driver^(F)</p>	<p>Number of Drivers 1=1 Driver</p>
		<p>Options Emergency EL7W=7-watt, 120V-277V emergency battery pack installed⁽²⁾ EL14W=14-watt 120V-277V emergency battery pack installed⁽²⁾ ELV7W=7-watt, DLVP-compatible low voltage emergency battery pack installed^(C) ELV14W=14-watt DLVP-compatible low voltage emergency battery pack installed^(C) GTR2=Bodine Generator Transfer Relay⁽⁷⁾ ETR2=lota Emergency Transfer Relay⁽⁷⁾ ETRD=lota Emergency Transfer Relay with dimming control⁽⁷⁾</p> <p>Lamps L830=3000K L835=3500K L840=4000K</p> <p>Flex A3/8-4/18GDIM=3/8" Flex with 0-10V Dimming Leads</p> <p>Multiple other configurations available. See below for details.</p>		

Integrated Sensing Systems
SWPD1=WaveLinX Wireless Integrated Sensor^(A)
LWIPD1=LumaWatt Pro Wireless Integrated Sensor⁽⁸⁾
LWTPD1=LumaWatt Pro Wireless Tile-mount Sensor⁽⁸⁾
SLVPD1=DLVP Low-voltage Integrated Sensor^(C)
SVPD1=0-10V Stand-alone Integrated Sensor^(D)



Packaging
U=Unit Pack
PALC=Job Pack, in carton

- ACCESSORIES**
- T3A END E.Q. BRACKET PARTS BAG
 - DF-22-W=2' x 2' Drywall Frame Kit
 - SK-22-WS=2' x 2' Shallow Surface Mount Kit
 - SK-22-WT=2' x 2' Tall Surface Mount Kit
 - DF10P-C_=Decorator Dimmer, 0-10V
 - SF10P-_=Decorator Dimmer, 0-10V

NOTES: ⁽¹⁾Products also available in non-US voltages and frequencies for international markets. ⁽²⁾With integral test switch/indicator/laser test. For approximate delivered lumens multiply the lumens per watt of the desired fixture by the wattage of the emergency battery pack (100 lm/W x 7=700 lumens). IES-format photometry for luminaire under emergency operation available. ⁽³⁾Air versions are not designed for continuous row mount applications. Air version is vented but does not meet air handling requirements. ⁽⁴⁾2000, 2300, 2700 and 3400 lumen options are not available with a Fifth Light "5LTD" and "5LTHD" driver. ⁽⁵⁾347V emergency option not available. ⁽⁶⁾2000, 2300, 2700 and 3400 lumen options are not available with Step-dim driver. ⁽⁷⁾Used to bypass local control during outage. Must be used in conjunction with UL 1008 device (provided by others). GTR2 and ETR2 options include 2 relays on fixtures with dimming drivers. ETRD option only requires one relay when used on a dimming fixture. Must specify voltage as 120V or 277V when ordering these devices. ⁽⁸⁾DesignLights Consortium® Qualified and classified for both DLC Standard and DLC Premium, refer to www.designlights.org for details.

Integrated Sensing and Control System Options
NOTES: Integrated options must be used in conjunction with the associated system and may not be compatible with other options or accessories. Please refer to the following: ^(A) Consult WaveLinX system pages for additional details and compatibility. ⁽⁸⁾ Consult LumaWatt Pro system pages for additional details and compatibility. ^(C) Consult DLVP system pages for additional details and compatibility. ^(D) Consult SVPD series system pages for additional details and compatibility. ^(E) Consult Fifth Light system pages for additional details and compatibility. ^(F) Consult Marketplace Options - Lutron system pages for additional details and compatibility. Compatible only with driver series shown, and may require two or more drivers. Requires field commissioning to operate or dim. Contact Lutron at www.lutron.com.

Flexible Metal Conduit Options
Flex options available for 0-10V dimming control, DALI dimming control, emergency and night light functions. 72-inch factory-installed and pre-wired to driver, fitted to luminaire housing access plate with 90° enclosed FMC connector. Not all options may be combined and installation ratings vary by type.
A3/8-4/18GDIM series notes: Factory installed dimming option 3/8" flexible metal conduit with 2-#18 power and ground wires and 2-#18 UL-listed jacketed 0-10V +/- control wires. Meets UL 66, 83, 1479, 1569, 1581, 2556. NEC® 250.118, 300.22(C), 392, 396, 330, 501, 502, 503, 530, 504, 505, 518, 520, 530, 645, 72; Federal Specification A-A-59544 (formerly J-C-30B); all applicable OSHA and HUD Requirements. UL Classified 1-, 2-, and 3-hour through penetration with applicable fire stop product (not included). May be surface mounted, fished and/or embedded in plaster. Cable tray and approved raceway rated, install per NEC®; Environmental Air-Handling Space Installation per NEC® 300.22(C).

Specifications & dimensions subject to change without notice. Consult your Eaton Representative for availability and ordering information.

SHIPPING DATA	
Catalog No.	Wt.
22AC-LD5-23	14 lbs.
22AC-LD5-34	14 lbs.



Eaton
1121 Highway 74 South
Peachtree City, GA 30269
P: 770-486-4800
www.eaton.com/lighting

Specifications and dimensions subject to change without notice.