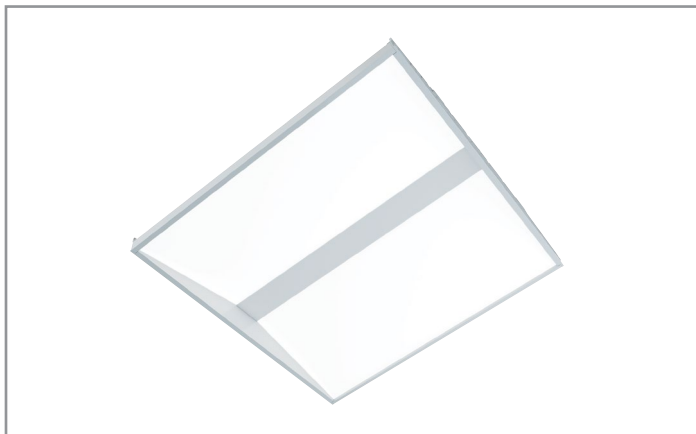


Project		Catalog #		Type	
Prepared by		Notes		Date	



# Metalux

## Encounter 22EN LED

2' x 2' Troffer LED Module  
Specification Grade Troffer

### Typical Applications

- Commercial Office Spaces • Schools • Hospitals • Retail
- Other Indoor Ambient Applications

### Product Certification



### Product Features



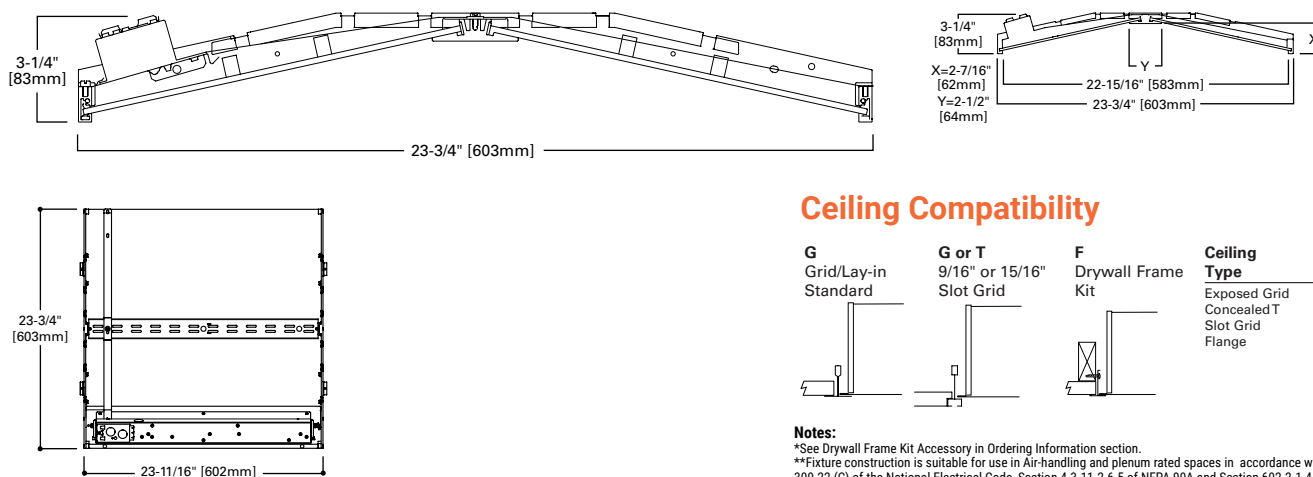
### Interactive Menu

- Order Information page 2
- Photometric Data page 3
- Control Solutions page 4
- Connected Systems page 4
- Product Warranty

### Top Product Features

- Available in 1' x 2', 1' x 4', 2' x 2' and 2' x 4' recessed versions
- Leverages our patented WaveStream Technology with AccuAim™ optics
- Four CCT options: 3000K, 3500K, 4000K, and 5000K at 80CRI or 90 CRI
- White tuning solutions available, either 3000K - 5000K or 2700K - 6500K
- Efficacy up to 143 lumens per watt

### Dimensional and Mounting Details



### Ceiling Compatibility

G	G or T	F	Ceiling Type	Trim Type
Grid/Lay-in Standard	9/16" or 15/16" Slot Grid	Drywall Frame Kit	Exposed Grid	G
			Concealed T	G or T
			Slot Grid	G or T
			Flange	*

**Notes:**  
 \*See Drywall Frame Kit Accessory in Ordering Information section.  
 \*\*Fixture construction is suitable for use in Air-handling and plenum rated spaces in accordance with Section 300.22 (2) of the National Electrical Code, Section 4.3.11.2.6.5 of NFPA 90A and Section 602.2.1.4 of ICC.

## Order Information

SAMPLE ORDER NUMBER: **22EN-LD2-34-UNV-L835-CD1-SVPD1-U**

Rating	Series	Air	Lamp Type	Lumen Outputs	Voltage
<b>[Blank]</b> =Standard <b>ATW-SW4</b> = Chicago Rated <sup>(7)</sup>	<b>22EN=2' x 2' Encounter Series</b>	<b>[Blank]</b> =Standard <b>A=Air</b> (Vented) <sup>(8)</sup>	<b>LD2=LED 2.0</b>	<b>Stock</b> 25=2500 Lumens <sup>(2),(4),(10)</sup> 34=3400 Lumens <sup>(2),(4)</sup> <b>MTQ</b> 19=1900 Lumens <sup>(2),(4),(10),(11)</sup> 30=3000 Lumens <sup>(2),(4)</sup> 39=3900 Lumens 43=4300 Lumens	<b>UNV=Universal Voltage 120-277</b> 347V=347 Volt <sup>(5)</sup> 48V=48 Volt Low-voltage (Class 2) <sup>(6)</sup>
<b>Notes</b> (7) Chicago rated version does not allow for row mounting.	<b>Notes</b> (6) DesignLights Consortium® Qualified and classified for both DLC Standard and DLC Premium, refer to www.designlights.org for details.	<b>Notes</b> (8) Air version is vented but does not meet air handling requirements.		<b>Notes</b> (2) 1900, 2500, 3000 and 3400 lumen option are not available with a Fifth Light DALI (5LTD) driver. (4) Step-dim driver not available with 1900, 2500, 3000 and 3400 lumen option. (10) Not compatible with WN driver. (11) White tuning not available with 1900 lumen option.	<b>Notes</b> (1) Products also available in non-US voltages and frequencies for international markets. (5) 347V emergency option not available. (C) Consult DLVP system pages for additional details and compatibility.

Emergency Options	CCT	Flex	Driver Type
<b>Emergency Options</b> <b>EL7W</b> =7-watt, 120V-277V emergency battery pack installed <sup>(3)</sup> <b>EL14W</b> =14-watt 120V-277V emergency battery pack installed <sup>(3)</sup> <b>ELV7W</b> =7-watt, DLVP-compatible low voltage emergency battery pack installed <sup>(3)</sup> <b>ELV14W</b> =14-watt DLVP-compatible low voltage emergency battery pack installed <sup>(3)</sup> <b>GTR2</b> =Bodine Generator Transfer Relay <sup>(9)</sup> <b>ETRD</b> =Iota Emergency Transfer Relay with dimming control <sup>(9)</sup>	<b>CCT</b> <b>L830</b> =3000K <b>L835=3500K</b> <b>L840</b> =4000K <b>L850</b> =5000K <b>L930</b> =3000K <b>L935</b> =3500K <b>L940</b> =4000K <b>L950</b> =5000K <b>L83050</b> =80CRI 3000K-5000K White Tuning <sup>(12)</sup> <b>L93050</b> =90CRI 3000K-5000K White Tuning <sup>(12)</sup> <b>L82765</b> =80CRI 2700K-6500K White Tuning <sup>(12)</sup> <b>L92765</b> =90CRI 2700K-6500K White Tuning <sup>(12)</sup>	<b>Flex</b> <b>A3/8-4/18GDIM</b> =3/8" Flex with 0-10V Dimming Leads Multiple other configurations available. See below for details. <b>A3/8-5/18GDIM</b> =Flex with 0-10V Dimming leads and Blue for alternate wiring. See below for details.	<b>Driver Type</b> <b>CD</b> =0-10V Dimming Driver (1%-100% Dimming) <b>WN</b> =WaveLinX Wireless Fixture, No Sensor. <sup>(A),(6),(H)</sup> <b>5LTD</b> =Fifth Light DALI Driver (10%-100% Dimming) <sup>(2),(E)</sup> <b>5LTHD</b> =Fifth Light Dimming Driver (1%-100% Dimming) <sup>(E)</sup> <b>LV1</b> =DLVP Dimming Driver (0%-100% Dimming) <sup>(C)</sup> <b>SD</b> =Step Dimming Driver (50% or 100% Dimming) <sup>(4)</sup> <b>LH</b> =Lutron HiLume (LDE1 series) 1%-100% EcoSystem Driver with Soft-on Fade to Black dimming <sup>(F)</sup> <b>L5</b> =Lutron 5 Series (LDE5-Series) 5%-100% EcoSystem Driver <sup>(F)</sup> <b>W2A</b> =White Tuning, 2ch, Intensity and CCT Control <sup>(12)</sup> <b>SR</b> =Sensor-ready Dimming Driver (1%-100% Dimming)
<b>Notes</b> (3) With integral test switch/indicator/laser test. For approximate delivered lumens multiply the lumens per watt of the desired fixture by the wattage of the emergency battery pack (100 lm/W x 7=700 lumens). IES-format photometry for luminaire under emergency operation available. (9) Used to bypass local control during outage. Must be used in conjunction with UL 1008 device (provided by others). GTR2 option includes 2 relays on fixtures with dimming drivers. ETRD option only requires one relay when used on a dimming fixture. (C) Consult DLVP system pages for additional details and compatibility.	<b>Notes</b> (12) White tuning provides correlated color temperatures (CCT) between 3000K (warm) to 5000K (cool) or 2700K (warm) to 6500K (cool). Must be used in conjunction with W2A driver only. Must be used with two (2) 10V dimming control channels, 1 color, 1 intensity.	<b>Flexible Metal Conduit Options</b> Flex options available for 0-10V dimming control, DALI dimming control, emergency and night light functions. 72-inch factory-installed and pre-wired to driver, fitted to luminaire housing access plate with 90° enclosed FMC connector. Not all options may be combined and installation ratings vary by type. <b>A3/8-4/18GDIM series notes:</b> Factory installed dimming option 3/8" flexible metal conduit with 2-#18 power and ground wires and 2-#18 UL-listed jacketed 0-10V +/- control wires. Meets UL 66, 83, 1479, 1569, 1581, 2556, NEC® 250.118, 300.22(C), 392.396, 330, 501, 502, 503, 530, 504, 505, 518, 520, 530, 645, 72; Federal Specification A-A-59544 (formerly J-C-30B); all applicable OSHA and HUD Requirements. UL Classified 1-, 2-, and 3-hour through penetration with applicable fire stop product (not included). May be surface mounted, fished and/or embedded in plaster. Cable tray and approved raceway rated, install per NEC®; Environmental Air-Handling Space Installation per NEC® 300.22(C).	<b>Notes</b> (2) 1900, 2500, 3000 and 3400 lumen option are not available with a Fifth Light DALI (5LTD) driver. (4) Step-dim driver not available with 1900, 2500, 3000 and 3400 lumen option. (12) White tuning provides correlated color temperatures (CCT) between 3000K (warm) to 5000K (cool) or 2700K (warm) to 6500K (cool). Must be used in conjunction with W2A driver only. Must be used with two (2) 10V dimming control channels, 1 color, 1 intensity. Integrated options must be used in conjunction with the associated system and may not be compatible with other options or accessories. Please refer to the following: (A) Consult WaveLinX system pages for additional details and compatibility. (C) Consult DLVP system pages for additional details and compatibility. (E) Consult Fifth Light system pages for additional details and compatibility. (F) Consult Marketplace Options - Lutron system pages for additional details and compatibility. Compatible only with driver series shown, and may require two or more drivers. Requires field commissioning to operate or dim. Contact Lutron at www.lutron.com. (G) Not compatible with GTR, ETRD, or integrated sensor options. (H) Available with UNV voltage only.

Number of Drivers	Integrated Sensing Systems	Packaging	Accessories
<b>Number of Drivers</b> <b>1=1 Driver</b>	<b>Integrated Sensing Systems</b> <b>[Blank]</b> =No Sensor <sup>(13)</sup> <b>WAA</b> =WaveLinX Wireless Integrated Sensor <sup>(A),(13)</sup> <b>WAB</b> =WaveLinX Lite Wireless Integrated Sensor <sup>(B),(13)</sup> <b>SLVPD1</b> =Low-voltage Integrated Sensor <sup>(C),(13)</sup> <b>SVPD1</b> =0-10V Stand-alone Integrated Sensor <sup>(D),(13)</sup>	<b>Packaging</b> <b>U</b> =Unit Pack <b>PALC</b> =Job Pack, in carton	<b>Accessories (order separately)</b> <b>T3A END E.O. BRACKET PARTS BAG</b> (Standard with fixture) <b>DF-22W-U</b> =2' x 2' Drywall Frame Kit <b>SK-22-WS</b> =2' x 2' Shallow Surface Mount Kit <b>SK-22-WT</b> =2' x 2' Tall Surface Mount Kit <b>ISHH-01</b> =Programming Remote for Integrated Sensor <sup>(D)</sup> <b>ISHH-02</b> =Personal Control Remote for Integrated Sensor <sup>(D)</sup>
	<b>Notes</b> (13) W2A driver only available with WAA sensor. Integrated options must be used in conjunction with the associated system and may not be compatible with other options or accessories. Please refer to the following: (A) Consult WaveLinX system pages for additional details and compatibility. (B) WaveLinX Lite devices are not currently compatible with the WaveLinX Wireless Area Controller. Consult WaveLinX Lite system pages for additional details and compatibility. (C) Consult DLVP system pages for additional details and compatibility. (D) Consult SVPD series system pages for additional details and compatibility.		<b>Notes</b> Integrated options must be used in conjunction with the associated system and may not be compatible with other options or accessories. Please refer to the following: (D) For use with SVPD sensor only. Consult SVPD series system pages for additional details and compatibility.

## Product Specifications

### Construction

- Shallow 3-1/16" deep housing extruded aluminum frame
- Injected molded composite end plates
- End plates screws for strength, rigidity and gap eliminations
- End plates accessory grid-lock feature adds safety
- Four auxiliary fixture end suspension points
- Large access plate for supply connection

### Controls

- 0-10V dimming to 1% standard
- WaveLinX wireless fixture for sensor-less wireless control
- WaveLinX wireless sensor compatible for standalone, controlled, connected, and IoT capability
- SVPD sensor compatible for standalone functionality
- Low-voltage sensor and driver compatible for DLVP applications
- DALI 2.0, Lutron, and step-dimming available

### Electrical

- LED's available in 3000K, 3500K, or 4000K at 80 CRI or 90 CRI minimum
- Color accuracy  $\leq 3$ -Step MacAdam ellipse (SDCM)
- TM21 life at 60,000 hours up to L92 and calculated L70 exceeds 288,000 hrs
- Drivers available in 120-277V and 347V
- Tunable white options available with Cooper Lighting's VividTune

### Emergency Battery Pack Options

- Optional 120V-277V integral emergency battery pack available in 7W or 14W
- 90-minute backup period for code compliance
- Test switch with laser pointer allows safe testing from floor
- Patented EZ Key prevents accidental discharge during construction

### Driver Access

- Drivers can be accessed via plenum

### Finish

- High reflectance baked matte white enamel finish

### Optics

- Precision formed optical assembly
- Positively retained high optical grade acrylic lenses
- WaveStream technology provides a visually comfortable fully luminous surface

### Compliance

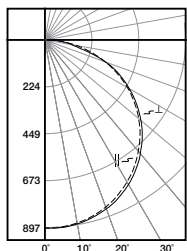
- Components are UL recognized
- cULus Damp Location listed for 25C ambient indoor environments
- Complies with IESNA LM-79 and LM-80 standards
- DesignLights Consortium® Qualified and classified for DLC Standard and DLC Premium (refer to www.designlights.org)

### Warranty

- Five year warranty standard. Optional ten year warranty available

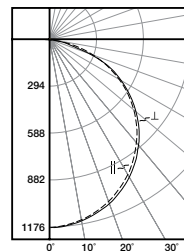
## Photometric Data

[View IES files](#)



### 22EN-LD2-25-UNV-L835-CD1-U

Electronic Driver  
 Linear LED 3500K  
 Spacing criterion: (II) 1.27 x mounting height,  
 (⊥) 1.29 x mounting height  
 Lumens: 2648  
 Input Watts: 20W  
 Efficacy: 132.4 lm/W  
 Test Report: 22EN-LD2-25-UNV-L835-CD1-U.IES



### 22EN-LD2-34-UNV-L835-CD1-U

Electronic Driver  
 Linear LED 3500K  
 Spacing criterion: (II) 1.27 x mounting height,  
 (⊥) 1.29 x mounting height  
 Lumens: 3471  
 Input Watts: 28.5W  
 Efficacy: 121.8 lm/W  
 Test Report: 22EN-LD2-34-UNV-L835-CD1-U.IES

## Energy and Performance Data

Stock or MTO	Catalog Logic	Delivered Lumens	Watts	Efficacy (LPW)
MTO	22EN-LD2-19-UNV-L835-CD1-U	2091	16.5	127
STOCK	22EN-LD2-25-UNV-L835-CD1-U	2648	20	132
STOCK	22EN-LD2-25-UNV-L840-CD1-U	2701	20	135
MTO	22EN-LD2-30-UNV-L835-CD1-U	3078	24.9	124
STOCK	22EN-LD2-34-UNV-L835-CD1-U	3471	28.5	122
STOCK	22EN-LD2-34-UNV-L840-CD1-U	3540	28.5	124
MTO	22EN-LD2-39-UNV-L835-CD1-U	3979	33.3	119
MTO	22EN-LD2-43-UNV-L835-CD1-U	4478	38.3	117

### Shipping Data

Catalog No.	Weight (lbs)	Units per Pallet 49"L x 52"W x 55"H
22EN-LD2	14	40

### Lumen Maintenance

Ambient Temperature	TM-21 Lumen Maintenance (60,000 hours) <sup>(1)</sup>	Theoretical L70 (Hours) <sup>(2)</sup>
25°C	> 92%	> 288,000

Notes: (1) Supported by IES TM-21 standards. (2) Theoretical values represent estimations commonly used; however, refer to the IES position on LED Product Lifetime Prediction, IES PS-10-18, that explains proper use of IES TM-21 and LM-80.

### Lumen Calculator

CCT Multiplier	80 CRI	90 CRI
3000K	0.970	0.835
3500K	1.000	0.864
4000K	1.020	0.901
5000K	1.110	0.955

### Example of Lumen Adjustment Calculation

22EN-LD2-25-UNV-L835-CD1-U  
 at 90CRI at 3500K  
 Lumen Adjustment Factor = 0.864  
 Total Light Output = 2,648 lm x 0.864 = 2,287 lm  
 Efficacy =  $\frac{2,287 \text{ lm}}{20W} = 114.3 \text{ lm/W}$

## Control Systems

- WaveLinx Wireless
- WaveLinx Wired
- WaveLinx Lite
- DLVP
- VividTune



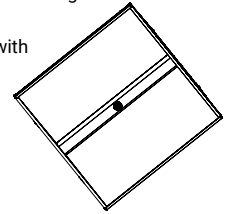
Connected Systems  
[CLICK HERE](#)

The Encounter with Integrated Sensor technology provides automatic energy savings without sacrificing performance. The Encounter delivers superior lighting with integrated occupancy and daylighting controls.

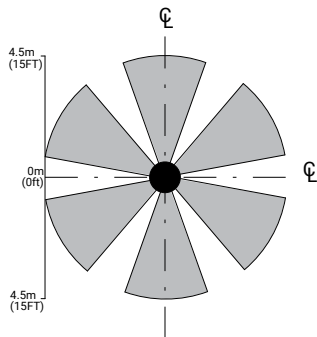
For standalone and controlled applications, the WaveLinx Lite integral sensor provides out-of-the-box functionality with no gateways required and factory startup is not needed.

When more connectivity is required, the WaveLinx Wireless sensor meets modern code and utility requirements, delivers energy and cost savings, while enabling buildings to become smart buildings.

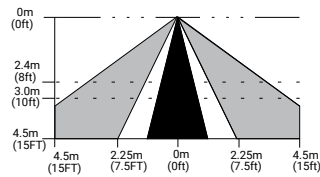
The WaveLinx Wireless Connected Lighting System combined with Trellix provides an open IoT platform and infrastructure that connects intelligent sensors leveraging the real-estate of the physical light fixture to solve higher complexity problems to deliver actionable insights through the aggregation of valuable data.



TOP VIEW:



SIDE VIEW:



**Note:** Installation of integrated sensors within 3-ft (1m) of HVAC air vents is not recommended. The pattern shown is intended solely as a general guide and is not to scale.

## Systems comparison chart

Cooper Lighting Solutions provides many lighting system solutions designed to satisfy code requirements and meet the unique needs of any project.



**Standalone**



**Controlled**  
WaveLinx Lite



**Connected**  
WaveLinx Wireless



**Enterprise**  
Trellix

	Standalone	Controlled WaveLinx Lite	Connected WaveLinx Wireless	Enterprise Trellix
<b>Occupancy</b>	Yes	Yes	Yes	Yes
<b>Daylighting</b>	Yes	Yes	Yes	Yes
<b>Gateways</b>	-	-	1 WAC	300 WACs
<b>Devices</b>	-	50 per Area (1400 per site)	150 per WAC	45,000 per Core Enterprise
<b>Software</b>	-	WaveLinx Lite Mobile App	WaveLinx Mobile App	Trellix Core
<b>Areas</b>	-	28 per Site	16 per WAC	up to 4,800
<b>Zones</b>	-	16 per Area	16 per Area	up to 76,800
<b>Scheduling</b>	-	-	Local	Global
<b>VividTune™</b>	-	-	Yes	Yes
<b>Plug-Load Control</b>	-	-	Yes	Yes
<b>Integration</b>	-	-	-	BACnet, API
<b>Dashboards</b>	-	-	-	Energy, Occupancy
<b>Configuration</b>	-	Installer	Technician	Technician / IT

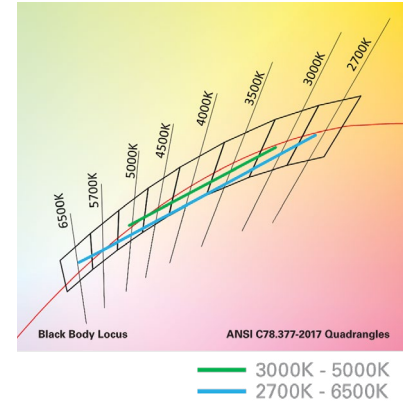
## SCALABILITY





### 22EN LED with VividTune Tunable White

VividTune tunable white luminaires from Cooper Lighting Solutions deliver high-quality light in a broad range of continuously variable color temperatures and intensities. Create a dynamic environment by adjusting the ambient light warmer or cooler to influence mood, support the task at hand, or create a dramatic ambience. The ability to control correlated color temperature and intensity separately using simple controls is the next evolution of LED lighting for the commercial, educational, healthcare and hospitality space. The unparalleled flexibility and number of available lighting environments enable users to find the right light with tunable white.



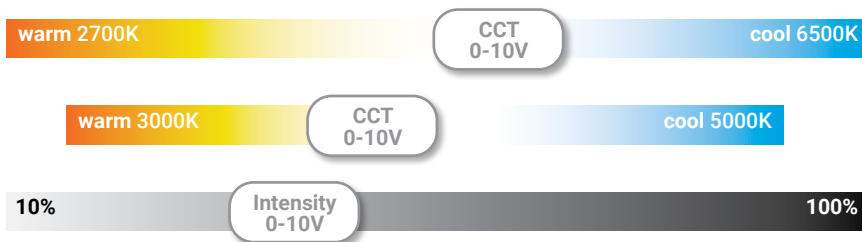
### Performance Data\*

Tunable White - Lumen Adjustment Factors (example only)				
CCT	3000K-5000K		2700K-6500K	
	80 CRI	90 CRI	80 CRI	90 CRI
2700K	-	-	0.858	0.709
3000K	0.930	0.776	0.867	0.731
3500K	0.945	0.795	0.895	0.748
4000K	0.949	0.825	0.883	0.781
4500K	0.962	0.830	0.909	0.776
5000K	0.963	0.834	0.907	0.796
6500K	-	-	0.912	0.816

2' x 2' Encounter LED - Example of Approximate Lumen Calculation			
	Standard Catalog #	VividTune 80 CRI Catalog #	VividTune 90 CRI Catalog #
CCT Setting	22EN-LD2-25-UNV-L835-CD1-U	22EN-LD2-25-UNV-L83050-W2A1-U	22EN-LD2-25-UNV-L93050-W2A1-U
3000K	-	2462	2056
3500K	2648	2502	2104
4000K	-	2513	2186
4500K	-	2547	2197
5000K	-	2549	2207

### Controlling VividTune Tunable White

VividTune luminaires make tunable white more accessible by using simple and familiar controls. From wall dimmers to wireless controls, VividTune tunable white luminaires are compatible with industry standard 0-10V dimming controls. A single 0-10V dimming input is used to control intensity (brightness) while a second 0-10V dimming input is used to adjust CCT. For suggested control configurations, [click here](#) for tunable white application guides.



### Example of Lumen Adjustment Calculation

22EN-LD2-25-UNV-L83050-W2A1-U at 80 CRI tuned to 3500K

*Adjusted Lumen = published lm x adjusted lm factor*

*Adjusted Lumen = 2648 \* 0.945*

*Adjusted Lumen = 2502 lm*

\* Lumen adjustment factors are for reference and may be different for each product selected. Refer to IES files for actual performance data on each.