

DESCRIPTION

The Paralux III Series features recessed aesthetics and the latest in energy efficient technology. The luminaire incorporates a nominal 3" deep precision cell louver into a 4-3/4" deep para-contoured fixture housing. This combination creates a total high performance parabolic optical assembly for optimum performance. The series is compatible with all of today's popular ceiling systems and is available with a number of options and accessories for application versatility. The high performance luminaire is designed to offer maximum efficiency and performance for today's unique interior specifications. The Paralux III series is an excellent choice for commercial office spaces, schools, hospitals or retail merchandising areas.

Catalog #		Type
Project		
Comments		Date
Prepared by		

SPECIFICATION FEATURES

Construction

4-3/4" deep, para-contoured housing, die formed of code gauge, prime cold rolled steel. Die embossed housing has full length die formed stiffeners for added strength. Contoured ballast/wireway cover is easily removed without tools. Die formed captive lampholder bracket fully encloses lampholder wiring permitting easy lampholder replacement. Heavy end plates are securely attached with interlocking tabs and screws. Four auxiliary fixture end suspension points provided. KOs for continuous row wiring. End plates have labor saving integral Grid-Lock feature for safety and convenience. *

Electrical**

Ballast are CBM/ETL Class "P" and are positively secured by mounting bolts. Pressure lock lampholders. UL/CUL listed. Suitable for damp locations.

Finish

Lighting grade, baked white enamel finish. Multistage, iron phosphate pretreatment ensures maximum bonding and rust inhibition.

Hinging/Latching

Positive cam action spring loaded, self locking, black steel latches. Safety lock T-hinges allow hinging and latching either side.

Louver

Die formed of low iridescent, vertical grain anodized aluminum. Finish is Anodic oxide coating. Accurate precision parabolic cells are held in place with interlocking feature. True-cut mitered corners. Black reveal with integral mechanical light seal around entire perimeter of louver. Louver protected from construction contaminants by polyethylene cover.

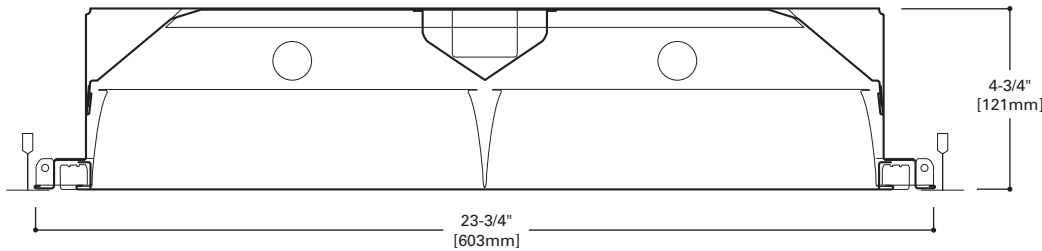


2EP3GAX
228T8
428T8
232
432

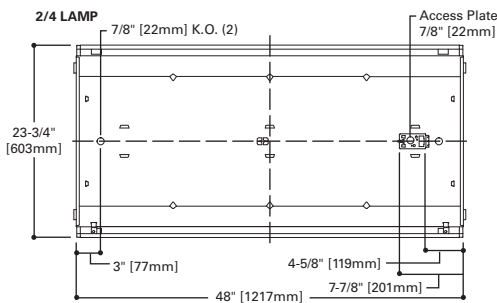
12, 16, 24, 32 Cell

2' X 4' PARABOLIC
2 OR 4 T8 LAMPS
SEMI-SPECULAR, SPECULAR
OR WHITE PAINTED LOUVER

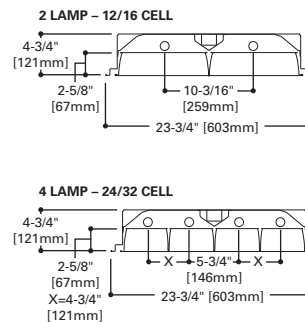
Paralux III
Recessed Static or Air
Suspension Troffer



MOUNTING DATA



LAMP CONFIGURATIONS



CEILING COMPATIBILITY

G	G	G	F	MZ	Ceiling Type	Trim Type
Grid/Lay-in Standard	Concealed T	Slot Grid	Aluminum Flange Trim With Supporting Swing Gates	Modular Trim With Supporting Swing Gates	Exposed Grid	G
					Concealed T	G
					Slot Grid	G
					Flange	F
					Concealed "T" or "Z"	MZ
					Metal Pan	MZ
					(Verify compatibility/ consult factory.)	

ENERGY DATA

Input Watts:
EB Ballast & STD Lamps
228T8 (48), 428T8 (93)
232 (55), 432 (113)

Luminaire Efficacy Rating
LER = FP-61
Catalog Number: 2EP3GAX-232
Yearly Cost of 1000 lumens,
3000 hrs at .08 KWH = \$3.93

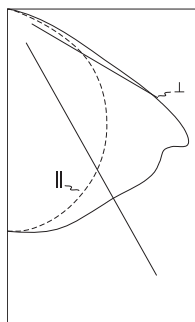
**Reference the lamp/ballast data in the Technical Section for specific lamp/ballast requirements.

LAMPS CONTAIN MERCURY. DISPOSE ACCORDING TO LOCAL, STATE OR FEDERAL LAWS

LINEAR DISCONNECT

Safe and convenient means of disconnecting power.

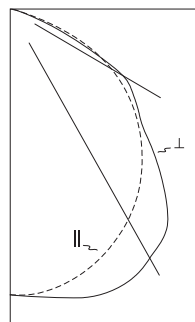
PHOTOMETRICS



2EP3GX-232S28I
 Electronic Ballast
 F32T8/35K Lamps
 3100 Lumens
 Spacing criterion:
 (II) 1.2 x mounting
 height, (⊥) 1.5 x
 mounting height
 Efficiency 69.7%
 Test Report:
 220P209
 LER = FP-
 Yearly Cost of 1000
 lumens, 3000 hrs at
 .08 KWH = \$

Candlepower

Angle	Along II	45°	Across ⊥
0	1467	1467	1467
5	1466	1471	1480
10	1439	1464	1492
15	1397	1442	1486
20	1342	1399	1464
25	1279	1342	1443
30	1206	1283	1433
35	1121	1226	1444
40	1024	1170	1455
45	922	1114	1425
50	815	1043	1415
55	697	951	1452
60	555	808	1050
65	362	503	549
70	165	190	312
75	68	80	156
80	32	36	53
85	11	13	16
90	0	0	0



2EP3GX-432S46I
 Electronic Ballast
 F32T8/35K Lamps
 3100 Lumens
 Spacing criterion:
 (II) 1.2 x mounting
 height, (⊥) 1.4 x
 mounting height
 Efficiency 65.6%
 Test Report:
 220P204
 LER = FP-
 Yearly Cost of 1000
 lumens, 3000 hrs at
 .08 KWH = \$

Candlepower

Angle	Along II	45°	Across ⊥
0	3068	3068	3068
5	3070	3085	3101
10	3025	3080	3148
15	2948	3066	3204
20	2845	3031	3216
25	2718	2954	3169
30	2574	2838	3050
35	2404	2682	2920
40	2207	2464	2596
45	1993	2172	2189
50	1765	1767	1828
55	1515	1360	1624
60	1232	1050	1360
65	896	745	753
70	486	371	336
75	163	140	134
80	69	60	53
85	24	20	15
90	0	0	0

Coefficients of Utilization

rc	Effective floor cavity reflectance																				
	80%			70%			50%			30%			10%			0%					
rw	70	50	30	70	50	30	70	50	30	70	50	30	70	50	30	70	50	30	70	50	30
RCR	0	83	83	83	81	81	81	81	77	77	77	74	74	74	71	71	71	70	70	70	70
	1	77	74	71	69	75	72	70	68	69	67	65	67	65	63	64	63	62	60	60	60
	2	70	65	60	57	68	63	59	56	61	58	55	59	56	53	57	54	52	51	51	51
	3	64	57	52	47	62	56	51	47	54	50	46	52	48	45	50	47	44	43	43	43
	4	58	50	44	40	57	49	44	40	48	43	39	46	42	39	45	41	38	37	37	37
	5	54	45	39	34	52	44	38	34	43	38	34	41	37	33	40	36	33	32	32	32
	6	49	40	34	30	48	40	34	30	38	33	29	37	33	29	36	32	29	27	27	27
	7	46	36	30	26	45	36	30	26	35	30	26	34	29	26	33	29	25	24	24	24
	8	42	33	27	23	41	33	27	23	32	27	23	31	26	23	30	26	23	21	21	21
	9	40	30	25	21	39	30	24	21	29	24	21	28	24	20	28	23	20	19	19	19
	10	37	28	22	19	36	28	22	19	27	22	19	26	22	18	26	21	18	17	17	17

Coefficients of Utilization

rc	Effective floor cavity reflectance																				
	80%			70%			50%			30%			10%			0%					
rw	70	50	30	70	50	30	70	50	30	70	50	30	70	50	30	70	50	30	70	50	30
RCR	0	78	78	78	76	76	76	76	73	73	73	70	70	70	67	67	67	66	66	66	66
	1	72	70	67	65	71	68	66	64	66	64	62	63	62	60	61	60	59	57	57	57
	2	67	62	58	55	65	61	57	54	58	55	53	56	54	51	54	52	50	49	49	49
	3	61	55	50	46	60	54	49	46	52	48	45	50	47	44	49	46	43	42	42	42
	4	56	49	44	39	55	48	43	39	46	42	39	45	41	38	44	40	38	36	36	36
	5	52	44	38	34	50	43	38	34	42	37	34	41	36	33	39	36	33	32	32	32
	6	48	40	34	30	47	39	34	30	38	33	30	37	33	29	36	32	29	28	28	28
	7	44	36	30	27	43	35	30	26	34	30	26	33	29	26	33	29	26	25	25	25
	8	41	33	27	24	40	32	27	24	31	27	24	31	26	23	30	26	23	22	22	22
	9	39	30	25	21	38	30	25	21	29	24	21	28	24	21	28	24	21	20	20	20
	10	36	28	23	19	35	27	23	19	27	22	19	26	22	19	26	22	19	18	18	18

Zonal Lumen Summary

Zone	Lumens	%Lamp	%Fixture
0-30	1172	18.9	27.1
0-40	1958	31.6	45.3
0-60	3722	60.0	86.2
0-90	4319	69.7	100.0
0-180	4319	69.7	100.0

Typical VCP Percentages

Room Size (Ft.)	Height Along		Height Across	
	8.5'	10.0'	8.5'	10.0'
20 x 20	74	72	67	65
30 x 30	78	75	73	68
30 x 60	81	78	75	71
60 x 30	82	80	78	74
60 x 60	83	81	79	76

Zonal Lumen Summary

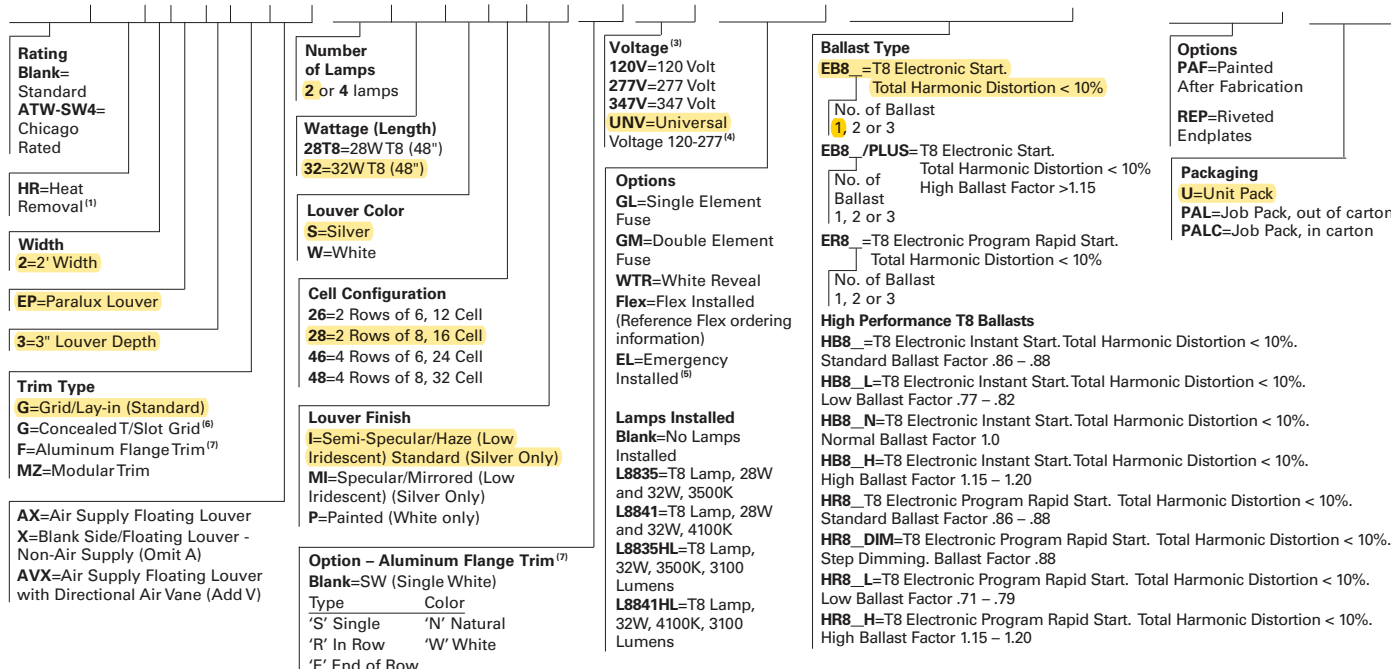
Zone	Lumens	%Lamp	%Fixture
0-30	2523	20.3	31.0
0-40	4191	33.8	51.5
0-60	7169	57.8	88.1
0-90	8136	65.6	100.0
0-180	8136	65.6	100.0

Typical VCP Percentages

Room Size (Ft.)	Height Along		Height Across	
	8.5'	10.0'	8.5'	10.0'
20 x 20	60	59	62	61
30 x 30	66	62	68	64
30 x 60	69	65	71	67
60 x 30	72	69	74	70
60 x 60	73	70	76	72

ORDERING INFORMATION

SAMPLE NUMBER: 2EP3GAX-232S261-UNV-EB81-U



NOTES: ⁽¹⁾Integral end plate grid lock feature not available in heat removal. ⁽²⁾An EQ Grid Clip is recommended for all 9/16" ceiling systems. Four required per fixture. ⁽³⁾Products also available in non-US voltages and frequencies for international markets. ⁽⁴⁾Not available when specifying emergencies, voltage must be specific. ⁽⁵⁾Fixtures equipped with "EL" option may require a 5-1/2" housing depth. If installing in field, must use low profile battery pack. ⁽⁶⁾Louver is recessed by 5/16" in Concealed T or Slot Grid T. ⁽⁷⁾Specify row configuration, type in catalog number when ordering complete fixture.

For complete product data, reference the Fluorescent Specification binder. Specifications & dimensions subject to change without notice. Consult your Cooper Lighting Representative for availability and ordering information.



Eaton
 1121 Highway 74 South
 Peachtree City, GA 30269
 P: 770-486-4800
 www.eaton.com/lighting

Specifications and dimensions subject to change without notice.

ACCESSORIES

EQ-CLIP-U=T-BAR Safety Earthquake Clips⁽²⁾

SHIPPING DATA

Catalog No.	Wt.
2EP3GAX-228T8S26I	42 lbs.
2EP3GAX-232S26I	42 lbs.
2EP3GAX-428T8S46I	42 lbs.
2EP3GAX-432S46I	42 lbs.