

DESCRIPTION

SNLED Lensed is a narrow LED lensed striplight series. This high quality luminaire is dedicated to the latest solid state lighting and electronic driver technology for optimal performance and energy efficiency. This Lensed product is available with three different lens types.

The small size of the SNLED makes it an ideal choice for size restricted architectural applications. The SNLED Series can be the illumination solution in commercial, industrial, retail and residential applications. Fixtures can be used in storage/utility areas, coves, display cases, shops, task and general area lighting.

SPECIFICATION FEATURES

Construction

Channel is die formed cold rolled steel with numerous KOs for ease of installation. Groove for Tong Hanger. End plate quickly converts to snap-in channel connector for continuous row alignment. Channel/wireway cover secured with sheet metal screws.

Controls

Equipped standard with a 0-10V continuous dimming driver that works with any standard 0-10V control/dimmer. Dimming range is 10% to 100%; varies by control device. Combine with energy-saving products like occupancy sensors, day lighting controls, and lighting relay panels to maximize energy savings. For motion control, reference options for both end and middle of the row applications.

Electrical

Long-Life LED system coupled with electronic (120-277V) driver to deliver optimal lighting performance. LED's available in 3000K, 3500K, 4000K, or 5000K with a CRI ≥ 85. Other color temperatures are available. Projected life is 60,000 + hours at 70% lumen output based on TM21. This driver is 0-10V dimming standard.

Emergency Battery Pack Option

Optional 120v-277v integral emergency battery pack is

available in 7-watts or 14-watts to meet critical life-safety lighting requirements. The 90-minute batteries provide constant power to the LED system, ensuring code-compliance. A test switch/indicator button can be tested safely from the ground using a laser pointer, while the patented EZ Key prevents accidental discharge of the battery during construction. See ordering information for details.

Finish

Multistage iron phosphate pretreatment ensures maximum bonding and rust inhibitor. High reflective paint after fabrication, baked white enamel finish is standard.

Channel/Wireway Cover

Die formed heavy gauge steel. Tight fit for ease of maintenance.

Shielding

Offers three different lensed optical distributions. (LC) Clear with linear optical ribs. (LN) Semi-frost for narrow distribution. (LW) Full frost for wide distribution.

Installation

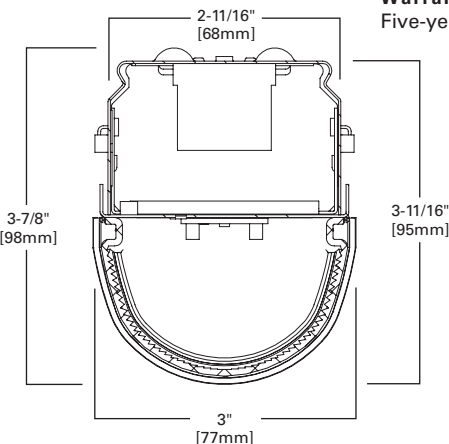
Fixture may be surface, pendant, or stem mounted. See accessories below in ordering information.

Compliance

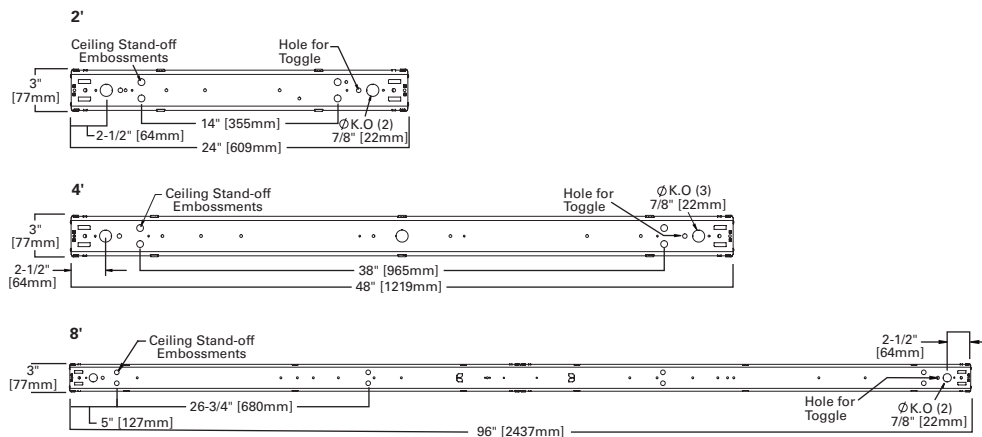
Components are UL recognized. Indoor luminaires are cULus listed for 40° C ambient environments, RoHS compliant, damp location listed, and comply with IESNA LM-79. LEDs comply with LM-80 standards. DesignLights Consortium® Qualified. Refer to www.designlights.org Qualified Products List under Family Models for details.

Warranty

Five-year warranty.



MOUNTING DATA



| | | |
|-------------|--|------|
| Catalog # | | Type |
| Project | | |
| Comments | | Date |
| Prepared by | | |



SNLED LENSED LED

Lensed LED Striplight



LINEAR DISCONNECT

Safe and convenient means of disconnecting power



WATTAGE

| SNLED Type | Stock* / MTO | Lumen Type | Length | Catalog Logic | Nominal Lumens | Wattage | lm/W |
|-----------------|--------------|------------|--------|-----------------------------------|----------------|---------|------|
| Clear Lens (LC) | MTO | Standard | 2 ft. | 2SNLED-LD4-18SL-LC-UNV-L8XX-CD1-U | 1907 | 17 | 105 |
| Clear Lens (LC) | MTO | Standard | 2 ft. | 2SNLED-LD4-22SL-LC-UNV-L8XX-CD1-U | 2325 | 22 | 101 |
| Clear Lens (LC) | MTO | Standard | 2 ft. | 2SNLED-LD4-26SL-LC-UNV-L8XX-CD1-U | 2712 | 23 | 112 |

| | | | | | | | |
|-----------------|-------|----------|-------|-----------------------------------|------|----|-----|
| Clear Lens (LC) | MTO | Standard | 4 ft. | 4SNLED-LD4-18SL-LC-UNV-L8XX-CD1-U | 2038 | 16 | 111 |
| Clear Lens (LC) | MTO | Standard | 4 ft. | 4SNLED-LD4-22SL-LC-UNV-L8XX-CD1-U | 2301 | 18 | 120 |
| Clear Lens (LC) | Stock | Standard | 4 ft. | 4SNLED-LD4-26SL-LC-UNV-L8XX-CD1-U | 2688 | 22 | 120 |
| Clear Lens (LC) | Stock | Standard | 4 ft. | 4SNLED-LD4-30SL-LC-UNV-L8XX-CD1-U | 3061 | 25 | 120 |
| Clear Lens (LC) | MTO | Standard | 4 ft. | 4SNLED-LD4-34SL-LC-UNV-L8XX-CD1-U | 3431 | 28 | 120 |
| Clear Lens (LC) | MTO | Standard | 4 ft. | 4SNLED-LD4-37SL-LC-UNV-L8XX-CD1-U | 3822 | 32 | 114 |
| Clear Lens (LC) | MTO | Standard | 4 ft. | 4SNLED-LD4-41SL-LC-UNV-L8XX-CD1-U | 4233 | 37 | 112 |
| Clear Lens (LC) | Stock | Standard | 4 ft. | 4SNLED-LD4-46SL-LC-UNV-L8XX-CD1-U | 4615 | 41 | 112 |
| Clear Lens (LC) | MTO | Standard | 4 ft. | 4SNLED-LD4-49SL-LC-UNV-L8XX-CD1-U | 4994 | 46 | 107 |
| Clear Lens (LC) | MTO | Standard | 4 ft. | 4SNLED-LD4-52SL-LC-UNV-L8XX-CD1-U | 5357 | 50 | 104 |
| Clear Lens (LC) | MTO | Standard | 4 ft. | 4SNLED-LD4-56SL-LC-UNV-L8XX-CD1-U | 5714 | 56 | 99 |
| Clear Lens (LC) | MTO | High | 4 ft. | 4SNLED-LD4-60HL-LC-UNV-L8XX-CD1-U | 6115 | 51 | 118 |

| | | | | | | | |
|-----------------|-------|----------|-------|-------------------------------------|-------|-----|-----|
| Clear Lens (LC) | MTO | Standard | 8 ft. | 8TSNLED-LD4-60SL-LC-UNV-L8XX-CD1-U | 6122 | 50 | 120 |
| Clear Lens (LC) | MTO | Standard | 8 ft. | 8TSNLED-LD4-68SL-LC-UNV-L8XX-CD1-U | 6863 | 57 | 120 |
| Clear Lens (LC) | Stock | Standard | 8 ft. | 8TSNLED-LD4-75SL-LC-UNV-L8XX-CD1-U | 7643 | 65 | 116 |
| Clear Lens (LC) | Stock | Standard | 8 ft. | 8TSNLED-LD4-83SL-LC-UNV-L8XX-CD1-U | 8466 | 73 | 113 |
| Clear Lens (LC) | MTO | Standard | 8 ft. | 8TSNLED-LD4-90SL-LC-UNV-L8XX-CD2-U | 9230 | 82 | 110 |
| Clear Lens (LC) | MTO | Standard | 8 ft. | 8TSNLED-LD4-98SL-LC-UNV-L8XX-CD2-U | 9988 | 91 | 107 |
| Clear Lens (LC) | MTO | Standard | 8 ft. | 8TSNLED-LD4-105SL-LC-UNV-L8XX-CD2-U | 10714 | 100 | 105 |
| Clear Lens (LC) | MTO | High | 8 ft. | 8SNLED-LD4-130HL-LC-UNV-L8XX-CD1-U | 13000 | 130 | 100 |
| Clear Lens (LC) | MTO | High | 8 ft. | 8SNLED-LD4-170HL-LC-UNV-L8XX-CD1-U | 17460 | 140 | 125 |

| SNLED Type | Stock* / MTO | Lumen Type | Length | Catalog Logic | Nominal Lumens | Wattage | lm/W |
|----------------------|--------------|------------|--------|-----------------------------------|----------------|---------|------|
| Semi-Frost Lens (LN) | MTO | Standard | 2 ft. | 2SNLED-LD4-18SL-LN-UNV-L8XX-CD1-U | 1901 | 17 | 105 |
| Semi-Frost Lens (LN) | MTO | Standard | 2 ft. | 2SNLED-LD4-22SL-LN-UNV-L8XX-CD1-U | 2318 | 22 | 101 |
| Semi-Frost Lens (LN) | MTO | Standard | 2 ft. | 2SNLED-LD4-26SL-LN-UNV-L8XX-CD1-U | 2704 | 23 | 116 |
| Semi-Frost Lens (LN) | MTO | High | 2 ft. | 2SNLED-LD4-32HL-LN-UNV-L8XX-CD1-U | 3200 | 32 | 100 |

| | | | | | | | |
|----------------------|-------|----------|-------|-----------------------------------|------|----|-----|
| Semi-Frost Lens (LN) | MTO | Standard | 4 ft. | 4SNLED-LD4-18SL-LN-UNV-L8XX-CD1-U | 2032 | 16 | 111 |
| Semi-Frost Lens (LN) | MTO | Standard | 4 ft. | 4SNLED-LD4-22SL-LN-UNV-L8XX-CD1-U | 2294 | 18 | 120 |
| Semi-Frost Lens (LN) | Stock | Standard | 4 ft. | 4SNLED-LD4-26SL-LN-UNV-L8XX-CD1-U | 2680 | 22 | 120 |
| Semi-Frost Lens (LN) | Stock | Standard | 4 ft. | 4SNLED-LD4-30SL-LN-UNV-L8XX-CD1-U | 3052 | 25 | 120 |
| Semi-Frost Lens (LN) | MTO | Standard | 4 ft. | 4SNLED-LD4-34SL-LN-UNV-L8XX-CD1-U | 3421 | 28 | 120 |
| Semi-Frost Lens (LN) | MTO | Standard | 4 ft. | 4SNLED-LD4-37SL-LN-UNV-L8XX-CD1-U | 3810 | 32 | 114 |
| Semi-Frost Lens (LN) | MTO | Standard | 4 ft. | 4SNLED-LD4-41SL-LN-UNV-L8XX-CD1-U | 4220 | 37 | 112 |
| Semi-Frost Lens (LN) | Stock | Standard | 4 ft. | 4SNLED-LD4-46SL-LN-UNV-L8XX-CD1-U | 4601 | 41 | 112 |
| Semi-Frost Lens (LN) | MTO | Standard | 4 ft. | 4SNLED-LD4-49SL-LN-UNV-L8XX-CD1-U | 4979 | 46 | 107 |
| Semi-Frost Lens (LN) | MTO | Standard | 4 ft. | 4SNLED-LD4-53SL-LN-UNV-L8XX-CD1-U | 5341 | 50 | 106 |
| Semi-Frost Lens (LN) | MTO | Standard | 4 ft. | 4SNLED-LD4-56SL-LN-UNV-L8XX-CD1-U | 5697 | 56 | 99 |
| Semi-Frost Lens (LN) | MTO | High | 4 ft. | 4SNLED-LD4-60HL-LN-UNV-L8XX-CD1-U | 6096 | 51 | 118 |

| | | | | | | | |
|----------------------|-------|----------|-------|-------------------------------------|-------|-----|-----|
| Semi-Frost Lens (LN) | MTO | Standard | 8 ft. | 8TSNLED-LD4-60SL-LN-UNV-L8XX-CD1-U | 6103 | 50 | 120 |
| Semi-Frost Lens (LN) | MTO | Standard | 8 ft. | 8TSNLED-LD4-68SL-LN-UNV-L8XX-CD1-U | 6842 | 57 | 120 |
| Semi-Frost Lens (LN) | Stock | Standard | 8 ft. | 8TSNLED-LD4-75SL-LN-UNV-L8XX-CD1-U | 7620 | 65 | 116 |
| Semi-Frost Lens (LN) | Stock | Standard | 8 ft. | 8TSNLED-LD4-83SL-LN-UNV-L8XX-CD1-U | 8441 | 73 | 113 |
| Semi-Frost Lens (LN) | MTO | Standard | 8 ft. | 8TSNLED-LD4-91SL-LN-UNV-L8XX-CD2-U | 9202 | 82 | 111 |
| Semi-Frost Lens (LN) | MTO | Standard | 8 ft. | 8TSNLED-LD4-98SL-LN-UNV-L8XX-CD2-U | 9958 | 91 | 107 |
| Semi-Frost Lens (LN) | MTO | Standard | 8 ft. | 8TSNLED-LD4-106SL-LN-UNV-L8XX-CD2-U | 10681 | 100 | 106 |
| Semi-Frost Lens (LN) | MTO | High | 8 ft. | 8TSNLED-LD4-130HL-LN-UNV-L8XX-CD2-U | 13000 | 130 | 100 |
| Semi-Frost Lens (LN) | MTO | High | 8 ft. | 8TSNLED-LD4-170HL-LN-UNV-L8XX-CD2-U | 17100 | 140 | 122 |

WATTAGE

| SNLED Type | Stock* / MTO | Lumen Type | Length | Catalog Logic | Nominal Lumens | Wattage | lm/W |
|----------------------|--------------|------------|--------|-------------------------------------|----------------|---------|------|
| Full Frost Lens (LW) | MTO | Standard | 2 ft. | 2SNLED-LD4-16SL-LW-UNV-L8XX-CD1-U | 1702 | 17 | 99 |
| Full Frost Lens (LW) | MTO | Standard | 2 ft. | 2SNLED-LD4-20SL-LW-UNV-L8XX-CD1-U | 2075 | 22 | 92 |
| Full Frost Lens (LW) | MTO | Standard | 2 ft. | 2SNLED-LD4-23SL-LW-UNV-L8XX-CD1-U | 2421 | 23 | 104 |
| Full Frost Lens (LW) | MTO | Standard | 4 ft. | 4SNLED-LD4-16SL-LW-UNV-L8XX-CD1-U | 1819 | 16 | 111 |
| Full Frost Lens (LW) | MTO | Standard | 4 ft. | 4SNLED-LD4-20SL-LW-UNV-L8XX-CD1-U | 2054 | 18 | 109 |
| Full Frost Lens (LW) | Stock | Standard | 4 ft. | 4SNLED-LD4-23SL-LW-UNV-L8XX-CD1-U | 2399 | 22 | 111 |
| Full Frost Lens (LW) | Stock | Standard | 4 ft. | 4SNLED-LD4-27SL-LW-UNV-L8XX-CD1-U | 2732 | 25 | 108 |
| Full Frost Lens (LW) | MTO | Standard | 4 ft. | 4SNLED-LD4-30SL-LW-UNV-L8XX-CD1-U | 3062 | 28 | 106 |
| Full Frost Lens (LW) | MTO | Standard | 4 ft. | 4SNLED-LD4-33SL-LW-UNV-L8XX-CD1-U | 3411 | 32 | 105 |
| Full Frost Lens (LW) | MTO | Standard | 4 ft. | 4SNLED-LD4-37SL-LW-UNV-L8XX-CD1-U | 3778 | 37 | 101 |
| Full Frost Lens (LW) | Stock | Standard | 4 ft. | 4SNLED-LD4-41SL-LW-UNV-L8XX-CD1-U | 4119 | 41 | 100 |
| Full Frost Lens (LW) | MTO | Standard | 4 ft. | 4SNLED-LD4-44SL-LW-UNV-L8XX-CD1-U | 4457 | 46 | 96 |
| Full Frost Lens (LW) | MTO | Standard | 4 ft. | 4SNLED-LD4-47SL-LW-UNV-L8XX-CD1-U | 4781 | 50 | 94 |
| Full Frost Lens (LW) | MTO | Standard | 4 ft. | 4SNLED-LD4-50SL-LW-UNV-L8XX-CD1-U | 5100 | 56 | 89 |
| Full Frost Lens (LW) | MTO | High | 4 ft. | 4SNLED-LD4-54HL-LW-UNV-L8XX-CD1-U | 5458 | 51 | 106 |
| Full Frost Lens (LW) | MTO | Standard | 8 ft. | 8TSNLED-LD4-54SL-LW-UNV-L8XX-CD1-U | 5464 | 50 | 108 |
| Full Frost Lens (LW) | MTO | Standard | 8 ft. | 8TSNLED-LD4-61SL-LW-UNV-L8XX-CD1-U | 6125 | 57 | 107 |
| Full Frost Lens (LW) | Stock | Standard | 8 ft. | 8TSNLED-LD4-67SL-LW-UNV-L8XX-CD1-U | 6822 | 65 | 104 |
| Full Frost Lens (LW) | Stock | Standard | 8 ft. | 8TSNLED-LD4-74SL-LW-UNV-L8XX-CD1-U | 7556 | 73 | 101 |
| Full Frost Lens (LW) | MTO | Standard | 8 ft. | 8TSNLED-LD4-81SL-LW-UNV-L8XX-CD2-U | 8238 | 82 | 99 |
| Full Frost Lens (LW) | MTO | Standard | 8 ft. | 8TSNLED-LD4-88SL-LW-UNV-L8XX-CD2-U | 8915 | 91 | 96 |
| Full Frost Lens (LW) | MTO | Standard | 8 ft. | 8TSNLED-LD4-95SL-LW-UNV-L8XX-CD2-U | 9562 | 100 | 95 |
| Full Frost Lens (LW) | MTO | High | 8 ft. | 8TSNLED-LD4-110HL-LW-UNV-L8XX-CD2-U | 11000 | 130 | 84 |
| Full Frost Lens (LW) | MTO | High | 8 ft. | 8TSNLED-LD4-150HL-LW-UNV-L8XX-CD2-U | 15300 | 140 | 121 |

* Stocked in either 3500K or 4000K

PHOTOMETRICS

See website for IES/photometric files

LUMEN MAINTENANCE

| Ambient Temperature | TM-21 Lumen Maintenance (12,000 hours) | Theoretical L70 (Hours) |
|---------------------|--|-------------------------|
| 25°C | 92.55% | 273,000 |

Max Ambient temp in compliance with CSA: 40°C

ORDERING INFORMATION

SAMPLE NUMBER: 4SNLED-LD4-46SL-LN-UNV-L835-CD1-U

| | | | |
|---|---|---|---|
| <p>2=2' Length 4=4' Length 8T=8' Length</p> | <p>Optic LC=Clear Lens LN=Semi-Frost Lens - Narrow LW=Full Frost Lens - Wide</p> | <p>Driver Type CD=0-10V Dimming Driver (10% - 100% Dimming) HCD=0-10V Dimming Driver (1% - 100% Dimming) ⁽¹¹⁾ SD=Step-dim (Bi Level) ^{(4), (10)} 5LTD=5th Light (DALI) Driver ^{(4), (6)}</p> | <p>Packaging U=Unit Pack</p> |
| <p>Series SNLED=Commercial LED Striplight ⁽⁹⁾</p> | <p>Voltage UNV=Universal Voltage 120-277 347=347V 480=480V ⁽⁴⁾</p> | <p>Number of Drivers 1=1 Driver 2=2 Drivers</p> | |
| <p>Lamp Type LDI=LED 1.0</p> | <p>Options</p> | | |
| <p>LED Lumens Output ⁽²⁾</p> | <p>Emergency</p> | <p>ACCESSORIES</p> | |
| <p>Stocked Lumen</p> | <p>EL7W=7-watt, 120V-277V emergency battery pack installed ^{(7), (4)}</p> | <p>(Order Separately) AYC=Chain/Set=36" Chain Hanger (Use 1 set per fixture) SCF=Fixed Stem Set (Specify Length) SCS=Swivel Stem Set (Specify Length) SCA=Adjustable 48" Stem Set EYE CHAIN SET/3FT=Eye Bolt Chain (Use 1 set per fixture) WG/SNF-2FT=2' Wire Guard WG/SNF-4FT=4' Wire Guard A1B/Spacer-U=Spacer 1-1/2" to 2-1/2" from ceiling (Use 2 per fixture) TOGGLE=Single Toggle No. 2 (Specify Length) Y-TOGGLE=Y Toggle No. 2 (Specify Length)</p> | |
| <p>Packages - LC</p> | <p>EL14W=14-watt 120V-277V emergency battery pack installed ^{(7), (4)}</p> | | |
| <p>26SL=2600 ⁽⁸⁾</p> | <p>GTDT2=Bodine Generator Transfer Device ⁽¹³⁾</p> | | |
| <p>30SL=3000</p> | <p>ITS2=LOTA Emergency Transfer Switch ⁽¹³⁾</p> | | |
| <p>46SL=4600</p> | <p>Wiring</p> | | |
| <p>75SL=7500 ⁽¹⁴⁾</p> | <p>PI/CPI=Plug-in Option</p> | | |
| <p>83SL=8300 ⁽¹⁴⁾</p> | <p>Motion Sensors</p> | | |
| <p>MTO Lumen</p> | <p>LB-ERMS360=360° Low Bay Motion Sensor - End of Row</p> | | |
| <p>Packages - LN</p> | <p>LB-MRMS360=360° Low Bay Motion Sensor - Middle of Row</p> | | |
| <p>18SL=1800 ⁽⁸⁾</p> | <p>HB-ERMS360=360° High Bay Motion Sensor - End of Row ⁽⁵⁾</p> | | |
| <p>22SL=2200</p> | <p>HB-MRMS360=360° High Bay Motion Sensor - Middle of Row ⁽⁵⁾</p> | | |
| <p>34SL=3400</p> | <p>CCT</p> | | |
| <p>37SL=3700</p> | <p>L830=3000K</p> | | |
| <p>41SL=4100</p> | <p>L835=3500K</p> | | |
| <p>49SL=4900</p> | <p>L840=4000K</p> | | |
| <p>52SL=5200</p> | <p>L850=5000K</p> | | |
| <p>56SL=5600</p> | | | |
| <p>60SL=6000 ⁽¹⁴⁾</p> | | | |
| <p>60HL=6000 ^{(1), (14)}</p> | | | |
| <p>68SL=6800 ⁽¹⁴⁾</p> | | | |
| <p>90SL=9000 ^{(3), (14)}</p> | | | |
| <p>98SL=9800 ^{(3), (14)}</p> | | | |
| <p>105SL=10,500 ^{(3), (14)}</p> | | | |
| <p>130HL=13,000 ^{(3), (12), (14)}</p> | | | |
| <p>170HL=17,000 ^{(3), (12), (14)}</p> | | | |

NOTES: ⁽¹⁾ 4 ft. only. ⁽²⁾ Nominal lumen values. ⁽³⁾ Two drivers required. ⁽⁴⁾ 4 ft. and 8 ft. only. ⁽⁵⁾ Motion Sensor offers dimmability. ⁽⁶⁾ For a complete listing of Fifth Light products, visit www.eaton.com/lightingsystems ⁽⁷⁾ With integral test switch/indicator/laser test. For approximate delivered lumens multiply the lumens per watt of the desired fixture by the wattage of the emergency battery pack (100 lm/W x 7=700 lumens). IES-format photometry for luminaire under emergency operation available. ⁽⁸⁾ 2 ft. and 4 ft. only. ⁽⁹⁾ DesignLights Consortium™ Qualified and classified for DLC Standard (all lumen packages), refer to www.designlights.org for details. ⁽¹⁰⁾ 4100 lumen and above on 4 ft. and 8200 lumen and above on 8 ft. ⁽¹¹⁾ HCD driver option requires two drivers for 6700 - 10,500 lumens. Not available for 13,000 lumens and above. ⁽¹²⁾ Not currently listed on DLC QPL. ⁽¹³⁾ Used to transfer fixture to secondary power source for life-safety operation. When used with a dimming fixture, two devices are required to ensure control is disabled while operating under emergency power. ⁽¹⁴⁾ 8 ft. only.

Specifications & dimensions subject to change without notice. Consult your Eaton Representative for availability and ordering information.

SHIPPING DATA

| Length. | Wt. |
|---------|-----------|
| 2 ft. | 4.3 lbs. |
| 4 ft. | 8.2 lbs. |
| 8 ft. | 15.1 lbs. |