

## DESCRIPTION

SNLED Base is a narrow LED striplight series. This high quality luminaire is dedicated to the latest solid state lighting and electronic driver technology for optimal performance and energy efficiency.

The small size of the SNLED makes it an ideal choice for size restricted architectural applications. The SNLED Series can be the illumination solution in commercial, industrial, retail and residential applications. Fixtures can be used in storage/utility areas, coves, display cases, shops, tasks and general area lighting.

<b>Catalog #</b>		<b>Type</b>
<b>Project</b>		
<b>Comments</b>		<b>Date</b>
<b>Prepared by</b>		

## SPECIFICATION FEATURES

### Construction

Channel is die formed cold rolled steel with numerous KOs for ease of installation. Groove for Tong Hanger. End plate quickly converts to snap-in channel connector for continuous row alignment. Channel/wireway cover secured with sheet metal screws.

### Controls

Equipped standard with a 0-10V continuous dimming driver that works with any standard 0-10V control/dimmer. Dimming range is 10% to 100%; varies by control device. Combine with energysaving products like occupancy sensors, day lighting controls, and lighting relay panels to maximize energy savings. For motion control, reference options for both end and middle of the row applications.

### Electrical

Long-Life LED system coupled with electronic (120-277V) driver to deliver optimal lighting performance. LED's available in 3000K, 3500K, 4000K, or 5000K with a CRI ≥ 85. Other color temperatures are available. Projected life is 60,000+ hours at 70% lumen output. This driver is 0-10V dimming standard.

### Emergency Battery Pack Option

Optional 120v-277v integral emergency battery pack is available in 7-watts or 14-watts to meet critical life-safety lighting requirements. The 90-minute batteries provide constant power to the LED system, ensuring code-compliance. A test switch/indicator button can be tested safely from the ground using a laser pointer, while the patented EZ Key prevents accidental discharge of the battery during construction. See ordering information for details.

### Installation

Fixture may be surface, pendant, or stem mounted. See accessories below (order separately).

### Compliance

Components are UL recognized. Indoor luminaires are cULus listed for 40° C ambient environments, RoHS compliant, damp location listed, and comply with IESNA LM-79. LEDs comply with LM-80 standards. DesignLights Consortium® Qualified. Refer to www.designlights.org Qualified Products List under Family Models for details.

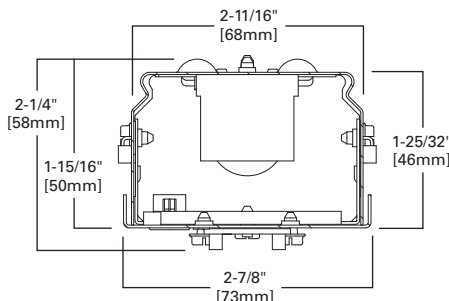
### Warranty

Five-year warranty.

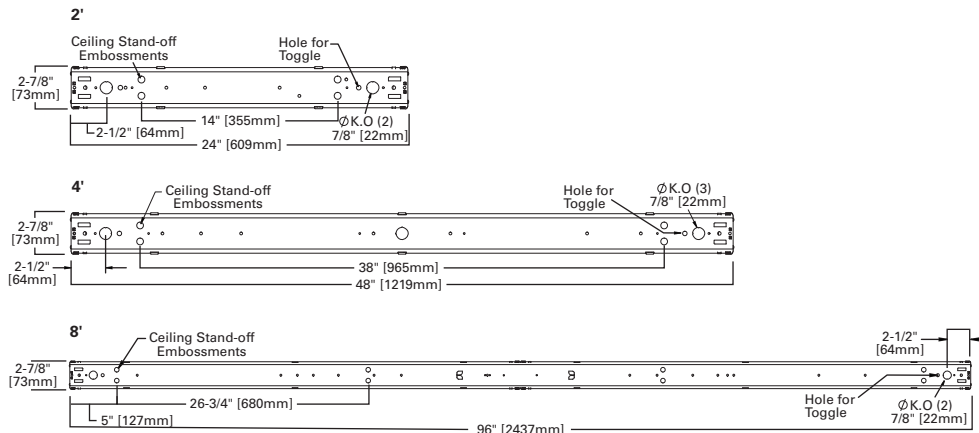


## SNLED BASE LED

LED Striplight



## MOUNTING DATA



## LINEAR DISCONNECT

Safe and convenient means of disconnecting power



## WATTAGE

SNLED Type	Stock / MTO	Lumen Type	Length	Catalog Logic	Nominal Lumens	Wattage	lm/W
Base	MTO	Standard	2 ft.	2SNLED-LD4-20SL-UNV-L8XX-CD1-U	2002	17	117
Base	Stock	Standard	2 ft.	2SNLED-LD4-24SL-UNV-L8XX-CD1-U	2441	22	111
Base	MTO	Standard	2 ft.	2SNLED-LD4-28SL-UNV-L8XX-CD1-U	2848	23	121
Base	MTO	Standard	4 ft.	4SNLED-LD4-20SL-UNV-L8XX-CD1-U	2140	16	123
Base	MTO	Standard	4 ft.	4SNLED-LD4-24SL-UNV-L8XX-CD1-U	2416	18	131
Base	Stock	Standard	4 ft.	4SNLED-LD4-28SL-UNV-L8XX-CD1-U	2823	22	129
Base	Stock	Standard	4 ft.	4SNLED-LD4-32SL-UNV-L8XX-CD1-U	3214	25	128
Base	MTO	Standard	4 ft.	4SNLED-LD4-36SL-UNV-L8XX-CD1-U	3603	28	127
Base	MTO	Standard	4 ft.	4SNLED-LD4-40SL-UNV-L8XX-CD1-U	4013	32	124
Base	MTO	Standard	4 ft.	4SNLED-LD4-44SL-UNV-L8XX-CD1-U	4445	37	120
Base	Stock	Standard	4 ft.	4SNLED-LD4-48SL-UNV-L8XX-CD1-U	4846	41	117
Base	MTO	Standard	4 ft.	4SNLED-LD4-52SL-UNV-L8XX-CD1-U	5244	46	114
Base	MTO	Standard	4 ft.	4SNLED-LD4-56SL-UNV-L8XX-CD1-U	5625	50	112
Base	MTO	Standard	4 ft.	4SNLED-LD4-60SL-UNV-L8XX-CD1-U	6000	56	107
Base	MTO	High	4 ft.	4SNLED-LD4-64HL-UNV-L8XX-CD1-U	6421	51	126
Base	MTO	Standard	8 ft.	8TSNLED-LD4-64SL-UNV-L8XX-CD1-U	6428	50	128
Base	MTO	Standard	8 ft.	8TSNLED-LD4-72SL-UNV-L8XX-CD1-U	7206	57	127
Base	Stock	Standard	8 ft.	8TSNLED-LD4-80SL-UNV-L8XX-CD1-U	8026	65	124
Base	Stock	Standard	8 ft.	8TSNLED-LD4-88SL-UNV-L8XX-CD1-U	8890	73	120
Base	MTO	Standard	8 ft.	8TSNLED-LD4-96SL-UNV-L8XX-CD2-U	9692	82	117
Base	MTO	Standard	8 ft.	8TSNLED-LD4-104SL-UNV-L8XX-CD2-U	10488	91	114
Base	MTO	Standard	8 ft.	8TSNLED-LD4-112SL-UNV-L8XX-CD2-U	11250	100	112

## PHOTOMETRICS

See website for IES/photometric files

## LUMEN MAINTENANCE

Ambient Temperature	TM-21 Lumen Maintenance (12,000 hours)	Theoretical L70 (Hours)
25°C	92.55%	303,000

Max Ambient temp in compliance with UL: 40°C

ORDERING INFORMATION

SAMPLE NUMBER: 4SNLED-LD4-44SL-UNV-L840-U

<p><b>2=2' Length</b>  <b>4=4' Length</b>  <b>8T=8' Length</b></p>	<p><b>Voltage</b>  <b>UNV=Universal Voltage 120-277</b>  <b>347=347V</b>  <b>480=480V<sup>(4)</sup></b></p>	<p><b>Driver Type</b>  <b>CD=0-10V Dimming Driver (10% - 100% Dimming)</b>  <b>HCD=0-10V Dimming Driver (1% - 100% Dimming)<sup>(13)</sup></b>  <b>SD=Step-dim (Bi Level)<sup>(4, 11, 12)</sup></b>  <b>5LTD=Fifth Light (DALI) Driver<sup>(4, 6, 11)</sup></b></p>	<p><b>Packaging</b>  <b>U=Unit Pack</b></p>																														
<p><b>Series</b>  <b>SNLED=Commercial LED Striplight<sup>(10)</sup></b></p>	<p><b>Options</b>  <b>Emergency</b>  <b>EL7W=7-watt, 120V-277V emergency battery pack installed<sup>(7), (8)</sup></b>  <b>EL14W=14-watt 120V-277V emergency battery pack installed<sup>(7), (8)</sup></b>  <b>GTD2=Bodine Generator Transfer Device<sup>(15)</sup></b>  <b>ETS2=IOTA Emergency Transfer Switch<sup>(15)</sup></b></p>	<p><b>Number of Drivers</b>  <b>1=1 Driver<sup>(6)</sup></b>  <b>2=2 Drivers<sup>(6)</sup></b></p>																															
<p><b>Lamp Type</b>  <b>LD4=LED 4.0</b></p>	<p><b>Wiring</b>  <b>PI/CPI=Plug-in Option</b></p>	<p><b>ACCESSORIES</b>          (Order Separately)  <b>AYC=Chain/Set=36" Chain Hanger</b>          (Use 1 set per fixture)  <b>SCF=Fixed Stem Set (Specify Length)</b>  <b>SCS=Swivel Stem Set (Specify Length)</b>  <b>SCA=Adjustable 48" Stem Set</b>  <b>EYE CHAIN SET/3FT=Eye Bolt Chain</b>          (Use 1 set per fixture)  <b>WG/SNF-2FT=2' Wire Guard</b>  <b>WG/SNF-4FT=4' Wire Guard</b>  <b>A1B/Spacer-U=Spacer 1-1/2" to 2-1/2" from ceiling</b>          (Use 2 per fixture)  <b>TOGGLE=Single Toggle No. 2 (Specify Length)</b>  <b>Y-TOGGLE=Y Toggle No. 2 (Specify Length)</b></p>																															
<p><b>LED Lumens Output<sup>(2)</sup></b></p> <table border="0"> <tr> <td><b>Stocked Lumen Packages<sup>(9)</sup></b></td> <td><b>MTO Lumen Packages</b></td> </tr> <tr> <td>24SL=2400<sup>(11)</sup></td> <td>20SL=2000<sup>(11)</sup></td> </tr> <tr> <td>28SL=2800<sup>(11)</sup></td> <td>36SL=3600</td> </tr> <tr> <td>32SL=3200</td> <td>40SL=4000</td> </tr> <tr> <td>48SL=4800</td> <td>44SL=4400</td> </tr> <tr> <td>80SL=8000<sup>(12)</sup></td> <td>52SL=5200</td> </tr> <tr> <td>88SL=8800</td> <td>56SL=5600</td> </tr> <tr> <td></td> <td>60SL=6000</td> </tr> <tr> <td></td> <td>64SL=6400</td> </tr> <tr> <td></td> <td>64HL=6400<sup>(8)</sup></td> </tr> <tr> <td></td> <td>72SL=7200<sup>(12)</sup></td> </tr> <tr> <td></td> <td>96SL=9600<sup>(3)</sup></td> </tr> <tr> <td></td> <td>104SL=10,400<sup>(3)</sup></td> </tr> <tr> <td></td> <td>112SL=11,200<sup>(3)</sup></td> </tr> <tr> <td></td> <td>170HL=17,000<sup>(3), (14)</sup></td> </tr> </table>	<b>Stocked Lumen Packages<sup>(9)</sup></b>	<b>MTO Lumen Packages</b>	24SL=2400 <sup>(11)</sup>	20SL=2000 <sup>(11)</sup>	28SL=2800 <sup>(11)</sup>	36SL=3600	32SL=3200	40SL=4000	48SL=4800	44SL=4400	80SL=8000 <sup>(12)</sup>	52SL=5200	88SL=8800	56SL=5600		60SL=6000		64SL=6400		64HL=6400 <sup>(8)</sup>		72SL=7200 <sup>(12)</sup>		96SL=9600 <sup>(3)</sup>		104SL=10,400 <sup>(3)</sup>		112SL=11,200 <sup>(3)</sup>		170HL=17,000 <sup>(3), (14)</sup>	<p><b>Motion Sensors</b>  <b>LB-ERMS360=360° Low Bay Motion Sensor - End of Row</b>  <b>LB-MRMS360=360° Low Bay Motion Sensor - Middle of Row</b>  <b>HB-ERMS360=360° High Bay Motion Sensor - End of Row<sup>(5)</sup></b>  <b>HB-MRMS360=360° High Bay Motion Sensor - Middle of Row<sup>(5)</sup></b></p>		
<b>Stocked Lumen Packages<sup>(9)</sup></b>	<b>MTO Lumen Packages</b>																																
24SL=2400 <sup>(11)</sup>	20SL=2000 <sup>(11)</sup>																																
28SL=2800 <sup>(11)</sup>	36SL=3600																																
32SL=3200	40SL=4000																																
48SL=4800	44SL=4400																																
80SL=8000 <sup>(12)</sup>	52SL=5200																																
88SL=8800	56SL=5600																																
	60SL=6000																																
	64SL=6400																																
	64HL=6400 <sup>(8)</sup>																																
	72SL=7200 <sup>(12)</sup>																																
	96SL=9600 <sup>(3)</sup>																																
	104SL=10,400 <sup>(3)</sup>																																
	112SL=11,200 <sup>(3)</sup>																																
	170HL=17,000 <sup>(3), (14)</sup>																																
	<p><b>CCT</b>  <b>L830=3000K</b>  <b>L835=3500K</b>  <b>L840=4000K</b>  <b>L850=5000K</b></p>																																

NOTES: <sup>(1)</sup> 2 ft. and 4 ft. only. <sup>(2)</sup> Nominal lumen values. <sup>(3)</sup> Two driver required. <sup>(4)</sup> 4 ft. and 8 ft. only. <sup>(5)</sup> Motion Sensor offers dimmability. <sup>(6)</sup> For a complete listing of Fifth Light Technology products and other solutions from Cooper Controls, visit [www.coopercontrol.com](http://www.coopercontrol.com). <sup>(7)</sup> With integral test switch/indicator/laser test. For approximate delivered lumens multiply the lumens per watt of the desired fixture by the wattage of the emergency battery pack (100 lm/W x 7=700 lumens). IES-format photometry for luminaire under emergency operation available. <sup>(8)</sup> 4 ft. only. <sup>(9)</sup> Stocked by mid April 2015. <sup>(10)</sup> DesignLights Consortium™ Qualified and classified for DLC Standard (all Lumen packages), refer to [www.designlights.org](http://www.designlights.org) for details. <sup>(11)</sup> 4400 lumen and above. <sup>(12)</sup> Step dimming not available. <sup>(13)</sup> HCD driver option not available with 7200, 8000, and 8800 lumen packages. <sup>(14)</sup> Not currently listed on DLC OPL. <sup>(15)</sup> Used to transfer fixture to secondary power source for life-safety operation. When used with a dimming fixture, two devices are required to ensure control is disabled while operating under emergency power.

Specifications & dimensions subject to change without notice. Consult your Eaton Representative for availability and ordering information.