

DESCRIPTION

SNLED Industrial version is a narrow striplight series with focused reflector series. This high quality luminaire is dedicated to the latest solid state lighting and electronic driver technology for optimal performance and energy efficiency. The reflector is offered in two different versions - standard or high lumen models and are produced from either specular or white material.

The narrow design of the SNLED makes it an ideal choice for industrial applications. The SNLED Series can be the illumination solution in commercial, industrial, retail and residential applications. Fixtures can be used in storage/utility areas, coves, display cases, shops, task and general area lighting.

SPECIFICATION FEATURES

Construction

Channel is die formed cold rolled steel with numerous KOs for ease of installation. Groove for Tong Hanger. End plate quickly converts to snap-in channel connector for continuous row alignment. Channel/wireway cover secured with sheet metal screw.

Controls

Equipped standard with a 0-10V continuous dimming driver that works with any standard 0-10V control/dimmer. Combine with energy saving products like occupancy sensors, day lighting controls, and lighting relay panels to maximize energy savings. For motion control, reference options for both end and middle of the row applications. Standard dimming is 0-10V to 10% with 1%, step and Fifth Light DALI dimming options available.

Electrical

Long-Life LED system coupled with electrical driver to deliver optimal performance. LED's available in 3000K, 3500K, 4000K or 5000K with a minimum of 80 CRI and optional 90 CRI. Projected life based on TM21 rating up to L87 >60,000 hours. Electronic drivers are cULus recognized and available for 120-277V, 347V and 480V applications.

Emergency Battery Pack Option

Optional 120v-277v integral emergency battery pack is available in 7-watts or 14-watts to meet critical life-safety lighting requirements. The 90-minute batteries provide constant power to the LED system, ensuring code-compliance. A test switch/indicator button can be tested safely from the ground using a laser pointer, while the patented EZ Key prevents accidental discharge of the battery during construction. Emergency/generator transfer options available – see ordering information for details.

Reflector

Available in either specular or white material.

Channel/Wireway Cover

Die formed heavy gauge steel. Tight fit for ease of maintenance.

Catalog #		Type	
Project		Date	
Comments			
Prepared by			

Installation

Fixture may be surface, pendant, or stem mounted. See accessories below in ordering information.

Compliance

Indoor luminaires are cULus listed for -20°C to 40°C ambient environments, RoHS compliant, damp location listed, and comply with IESNA LM-79. LEDs comply with LM-80 standards. Drivers are NEMA 410 compliant. DesignLights Consortium® Qualified and classified for both DLC Standard and DLC Premium, refer to www.designlights.org for details. Can be used for State of California Title 24 high efficacy luminaire.

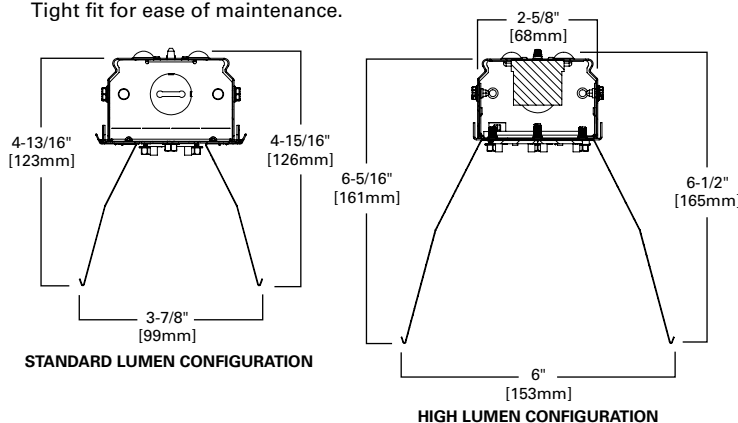
Warranty

Five-year warranty.

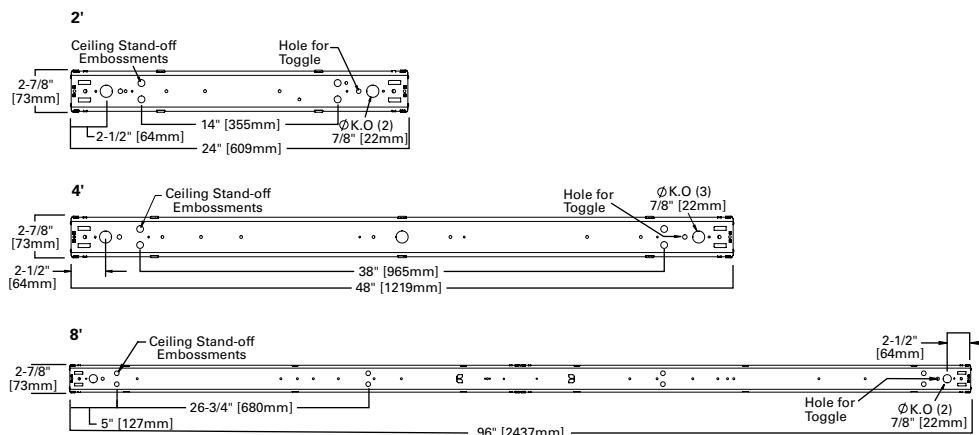


SNLED INDUSTRIAL LED

Reflector LED Striplight



MOUNTING DATA



WATTAGE

SNLED Type	Lumen Type	Length	Catalog Number**	Nominal 3500K Lumens	Wattage	lm/W
Miro Reflector (RM)	Standard	2 ft.	2SNLED-LD5-19SL-RM-UNV-L8XX-CD1-U	1938	14	135.8
Miro Reflector (RM)	Standard	2 ft.	2SNLED-LD5-23SL-RM-UNV-L8XX-CD1-U	2393	18	132.2
Miro Reflector (RM)	Standard	2 ft.	2SNLED-LD5-27SL-RM-UNV-L8XX-CD1-U	2716	21	129.6
Miro Reflector (RM)	Standard	2 ft.	2SNLED-LD5-32HL-RM-UNV-L8XX-CD1-U	3274	27	123.2
Miro Reflector (RM)	Standard	4 ft.	4SNLED-LD5-19SL-RM-UNV-L8XX-CD1-U	1870	13	143.4
Miro Reflector (RM)	Standard	4 ft.	4SNLED-LD5-23SL-RM-UNV-L8XX-CD1-U	2318	16	144.8
Miro Reflector (RM)	Standard	4 ft.	4SNLED-LD5-27SL-RM-UNV-L8XX-CD1-U	2669	18	144.7
Miro Reflector (RM)	Standard	4 ft.	4SNLED-LD5-31SL-RM-UNV-L8XX-CD1-U	3043	21	143.8
Miro Reflector (RM)	Standard	4 ft.	4SNLED-LD5-35SL-RM-UNV-L8XX-CD1-U	3527	25	141.8
Miro Reflector (RM)	Standard	4 ft.	4SNLED-LD5-39SL-RM-UNV-L8XX-CD1-U	3880	28	140
Miro Reflector (RM)	Standard	4 ft.	4SNLED-LD5-42SL-RM-UNV-L8XX-CD1-U	4221	31	138.1
Miro Reflector (RM)	Standard	4 ft.	4SNLED-LD5-47SL-RM-UNV-L8XX-CD1-U	4666	35	135.2
Miro Reflector (RM)	Standard	4 ft.	4SNLED-LD5-50SL-RM-UNV-L8XX-CD1-U	4995	38	132.9
Miro Reflector (RM)	Standard	4 ft.	4SNLED-LD5-54SL-RM-UNV-L8XX-CD1-U	5417	41	131.8
Miro Reflector (RM)	Standard	4 ft.	4SNLED-LD5-58SL-RM-UNV-L8XX-CD1-U	5814	46	126
Miro Reflector (RM)	Standard	4 ft.	4SNLED-LD5-62SL-RM-UNV-L8XX-CD1-U	6287	52	121.7
Miro Reflector (RM)	Standard	4 ft.	4SNLED-LD5-65SL-RM-UNV-L8XX-CD1-U	6555	55	118.9
Miro Reflector (RM)	High	4 ft.	4SNLED-LD5-62HL-RM-UNV-L8XX-CD1-U	5533	43	128.3
Miro Reflector (RM)	High	4 ft.	4SNLED-LD5-72HL-RM-UNV-L8XX-CD1-U	7300	62	117.5
Miro Reflector (RM)	Standard	8 ft.	8TSNLED-LD5-62SL-RM-UNV-L8XX-CD1-U	6086	42	143.8
Miro Reflector (RM)	Standard	8 ft.	8TSNLED-LD5-70SL-RM-UNV-L8XX-CD1-U	7055	50	141.8
Miro Reflector (RM)	Standard	8 ft.	8TSNLED-LD5-78SL-RM-UNV-L8XX-CD1-U	7760	55	140
Miro Reflector (RM)	Standard	8 ft.	8TSNLED-LD5-85SL-RM-UNV-L8XX-CD1-U	8443	61	138.1
Miro Reflector (RM)	Standard	8 ft.	8TSNLED-LD5-95SL-RM-UNV-L8XX-CD1-U	9332	69	135.2
Miro Reflector (RM)	Standard	8 ft.	8TSNLED-LD5-101SL-RM-UNV-L8XX-CD1-U	9989	75	132.9
Miro Reflector (RM)	Standard	8 ft.	8TSNLED-LD5-109SL-RM-UNV-L8XX-CD1-U	10834	82	131.8
Miro Reflector (RM)	High	8 ft.	8TSNLED-LD5-120HL-RM-UNV-L8XX-CD1-U	11629	92	126
Miro Reflector (RM)	High	8 ft.	8TSNLED-LD5-160HL-RM-UNV-L8XX-CD2-U	14599	124	117.5

* Stocked in either 3500K or 4000K. Reflector ships separate from striplight.

** Lumen portion of catalog number may not match actual lumens.

WATTAGE

SNLED Type	Lumen Type	Length	Catalog Number**	Nominal 3500K Lumens	Wattage	lm/W
White Reflector (RW)	Standard	2 ft.	2SNLED-LD5-18SL-RW-UNV-L8XX-CD1-U	1922	14	134.7
White Reflector (RW)	Standard	2 ft.	2SNLED-LD5-21SL-RW-UNV-L8XX-CD1-U	2373	18	131.1
White Reflector (RW)	Standard	2 ft.	2SNLED-LD5-25SL-RW-UNV-L8XX-CD1-U	2693	21	128.5
White Reflector (RW)	Standard	2 ft.	2SNLED-LD5-30HL-RW-UNV-L8XX-CD1-U	3033	27	114.2
White Reflector (RW)	Standard	4 ft.	4SNLED-LD5-18SL-RW-UNV-L8XX-CD1-U	1854	13	142.2
White Reflector (RW)	Standard	4 ft.	4SNLED-LD5-21SL-RW-UNV-L8XX-CD1-U	2298	16	143.6
White Reflector (RW)	Standard	4 ft.	4SNLED-LD5-25SL-RW-UNV-L8XX-CD1-U	2646	18	143.5
White Reflector (RW)	Standard	4 ft.	4SNLED-LD5-28SL-RW-UNV-L8XX-CD1-U	3017	21	142.6
White Reflector (RW)	Standard	4 ft.	4SNLED-LD5-32SL-RW-UNV-L8XX-CD1-U	3498	25	140.6
White Reflector (RW)	Standard	4 ft.	4SNLED-LD5-36SL-RW-UNV-L8XX-CD1-U	3847	28	138.9
White Reflector (RW)	Standard	4 ft.	4SNLED-LD5-39SL-RW-UNV-L8XX-CD1-U	4186	31	136.9
White Reflector (RW)	Standard	4 ft.	4SNLED-LD5-43SL-RW-UNV-L8XX-CD1-U	4627	35	134.1
White Reflector (RW)	Standard	4 ft.	4SNLED-LD5-46SL-RW-UNV-L8XX-CD1-U	4953	38	131.7
White Reflector (RW)	Standard	4 ft.	4SNLED-LD5-50SL-RW-UNV-L8XX-CD1-U	5371	41	130.7
White Reflector (RW)	Standard	4 ft.	4SNLED-LD5-54SL-RW-UNV-L8XX-CD1-U	5765	46	125
White Reflector (RW)	Standard	4 ft.	4SNLED-LD5-62SL-RW-UNV-L8XX-CD1-U	6234	52	120.7
White Reflector (RW)	Standard	4 ft.	4SNLED-LD5-64SL-RW-UNV-L8XX-CD1-U	6500	55	117.9
White Reflector (RW)	High	4 ft.	4SNLED-LD5-57HL-RW-UNV-L8XX-CD1-U	5127	43	118.9
White Reflector (RW)	High	4 ft.	4SNLED-LD5-67HL-RW-UNV-L8XX-CD1-U	6763	62	108.8
White Reflector (RW)	Standard	8 ft.	8TSNLED-LD5-57SL-RW-UNV-L8XX-CD1-U	6035	42	142.6
White Reflector (RW)	Standard	8 ft.	8TSNLED-LD5-64SL-RW-UNV-L8XX-CD1-U	6995	50	140.6
White Reflector (RW)	Standard	8 ft.	8TSNLED-LD5-72SL-RW-UNV-L8XX-CD1-U	7695	55	138.9
White Reflector (RW)	Standard	8 ft.	8TSNLED-LD5-79SL-RW-UNV-L8XX-CD1-U	8372	61	136.9
White Reflector (RW)	Standard	8 ft.	8TSNLED-LD5-86SL-RW-UNV-L8XX-CD1-U	9253	69	134.1
White Reflector (RW)	Standard	8 ft.	8TSNLED-LD5-93SL-RW-UNV-L8XX-CD1-U	9905	75	131.7
White Reflector (RW)	Standard	8 ft.	8TSNLED-LD5-101SL-RW-UNV-L8XX-CD1-U	10743	82	130.7
White Reflector (RW)	High	8 ft.	8TSNLED-LD5-120HL-RW-UNV-L8XX-CD1-U	11531	92	125
White Reflector (RW)	High	8 ft.	8TSNLED-LD5-160HL-RW-UNV-L8XX-CD2-U	13527	124	108.8

* Stocked in either 3500K or 4000K. Reflector ships separate from striplight.

** Lumen portion of catalog number may not match actual lumens.

CCT TABLE

Approximate Color Temperature Multiplier	
2700K	.93
3000K	.98
3500K	1.0
4000K	1.02
5000K	1.02

CRI

Lumen multiplier (80CRI to 90CRI)			
3000K	3500K	4000K	5000K
0.805	0.840	0.846	0.901

PHOTOMETRICS

See website for IES/photometric files

ORDERING INFORMATION

SAMPLE NUMBER: 4SNLED-LD5-47SL-RM-UNV-L835-CD1-U

<p>2=2' Length 4=4' Length 8T=8' Length</p> <p>Series SNLED=Commercial LED Striplight⁽¹²⁾</p> <p>Lamp Type LD5=LED 5.0</p> <p>LED Lumens Output⁽¹⁾</p> <table border="0"> <tr> <td>Miro Re_ectors</td> <td>White Re_ectors</td> </tr> <tr> <td>19SL⁽²⁾</td> <td>18SL⁽²⁾</td> </tr> <tr> <td>23SL⁽²⁾</td> <td>21SL⁽²⁾</td> </tr> <tr> <td>27SL⁽²⁾</td> <td>25SL⁽²⁾</td> </tr> <tr> <td>31SL</td> <td>28SL</td> </tr> <tr> <td>32HL</td> <td>30HL</td> </tr> <tr> <td>35SL</td> <td>32SL</td> </tr> <tr> <td>39SL</td> <td>36SL</td> </tr> <tr> <td>42SL</td> <td>39SL</td> </tr> <tr> <td>47SL</td> <td>43SL</td> </tr> <tr> <td>48HL</td> <td>45HL</td> </tr> <tr> <td>50SL</td> <td>46SL</td> </tr> <tr> <td>52HL</td> <td>48HL</td> </tr> <tr> <td>54SL</td> <td>50SL</td> </tr> <tr> <td>58SL</td> <td>54SL</td> </tr> <tr> <td>62SL</td> <td>57SL</td> </tr> <tr> <td>65HL</td> <td>57HL</td> </tr> <tr> <td>62HL</td> <td>64SL</td> </tr> <tr> <td>70SL</td> <td>67HL</td> </tr> <tr> <td>72HL</td> <td>72SL</td> </tr> <tr> <td>78SL</td> <td>79SL</td> </tr> <tr> <td>85SL</td> <td>86SL</td> </tr> <tr> <td>95SL</td> <td>93SL</td> </tr> <tr> <td>101SL</td> <td>101SL⁽¹⁴⁾</td> </tr> <tr> <td>109SL⁽¹⁴⁾</td> <td>120HL⁽¹⁴⁾</td> </tr> <tr> <td>120HL⁽¹⁴⁾</td> <td>160HL⁽¹³⁾</td> </tr> <tr> <td>160HL⁽¹³⁾</td> <td></td> </tr> </table>	Miro Re_ectors	White Re_ectors	19SL ⁽²⁾	18SL ⁽²⁾	23SL ⁽²⁾	21SL ⁽²⁾	27SL ⁽²⁾	25SL ⁽²⁾	31SL	28SL	32HL	30HL	35SL	32SL	39SL	36SL	42SL	39SL	47SL	43SL	48HL	45HL	50SL	46SL	52HL	48HL	54SL	50SL	58SL	54SL	62SL	57SL	65HL	57HL	62HL	64SL	70SL	67HL	72HL	72SL	78SL	79SL	85SL	86SL	95SL	93SL	101SL	101SL ⁽¹⁴⁾	109SL ⁽¹⁴⁾	120HL ⁽¹⁴⁾	120HL ⁽¹⁴⁾	160HL ⁽¹³⁾	160HL ⁽¹³⁾		<p>Re_ector RM=Specular RW=White</p> <p>Voltage UNV=Universal Voltage 120-277 347=347V 480=480V⁽³⁾</p> <p>Options Emergency EL7W=7-watt, 120V-277V emergency battery pack installed^{(3), (6)} EL14W=14-watt 120V-277V emergency battery pack installed^{(3), (6)} GTR2=Bodine Generator Transfer Relay⁽⁹⁾ ETR2=lota Emergency Transfer Relay⁽⁹⁾ ETRD=lota Emergency Transfer Relay with dimming control⁽⁹⁾</p> <p>Wiring PI/CPI=Plug in and cross over plug in options⁽¹¹⁾ PC6/515P=(NEMA 5-15P) 6' Cord with NEMA Straight Plug^{(10), (11)} PC6/L715=(NEMA L7-15P) 6' Cord with NEMA Twist Plug^{(10), (11)}</p> <p>Motion Sensors LB-ERMS360=360° Low Bay Motion Sensor - End of Row LB-MRMS360=360° Low Bay Motion Sensor - Middle of Row HB-ERMS360=360° High Bay Motion Sensor - End of Row⁽⁴⁾ HB-MRMS360=360° High Bay Motion Sensor - Middle of Row⁽⁴⁾</p> <p>CCT/CRI L830=3000K, 80 CRI L835=3500K, 80 CRI L840=4000K, 80 CRI L850=5000K, 80 CRI L930=3000K, 90 CRI L935=3500K, 90 CRI L940=4000K, 90 CRI L950=5000K, 90 CRI</p>	<p>Driver Type CD=0-10V Dimming Driver (10% - 100% Dimming) HCD=0-10V Dimming Driver (1% - 100% Dimming) SD=Step-dim (Bi Level)⁽³⁾ 5LTD=Fifth Light (DALI) Driver^{(3), (5)}</p> <p>Number of Drivers 1=1 Driver 2=2 Drivers</p>	<p>Packaging U=Unit Pack</p>
Miro Re_ectors	White Re_ectors																																																								
19SL ⁽²⁾	18SL ⁽²⁾																																																								
23SL ⁽²⁾	21SL ⁽²⁾																																																								
27SL ⁽²⁾	25SL ⁽²⁾																																																								
31SL	28SL																																																								
32HL	30HL																																																								
35SL	32SL																																																								
39SL	36SL																																																								
42SL	39SL																																																								
47SL	43SL																																																								
48HL	45HL																																																								
50SL	46SL																																																								
52HL	48HL																																																								
54SL	50SL																																																								
58SL	54SL																																																								
62SL	57SL																																																								
65HL	57HL																																																								
62HL	64SL																																																								
70SL	67HL																																																								
72HL	72SL																																																								
78SL	79SL																																																								
85SL	86SL																																																								
95SL	93SL																																																								
101SL	101SL ⁽¹⁴⁾																																																								
109SL ⁽¹⁴⁾	120HL ⁽¹⁴⁾																																																								
120HL ⁽¹⁴⁾	160HL ⁽¹³⁾																																																								
160HL ⁽¹³⁾																																																									

ACCESSORIES

(Order Separately)
AYC-Chain/Set=36" Chain Hanger (Use 1 set per fixture)
SCF=Fixed Stem Set (Specify Length)
SCS=Swivel Stem Set (Specify Length)
SCA=Adjustable 48" Stem Set
EYE CHAIN SET/3FT=Eye Bolt Chain (Use 1 set per fixture)
A1B/Spacer-U=Spacer 1-1/2" to 2-1/2" from ceiling (Use 2 per fixture)
TOGGLE=Single Toggle No. 2 (Specify Length)
Y-TOGGLE=Y Toggle No. 2 (Specify Length)

NOTES: ⁽¹⁾ Nominal lumen values. See table for values and fixture length. ⁽²⁾ Available in 2 ft. and 4 ft. ⁽³⁾ 4 ft. and 8 ft. only. ⁽⁴⁾ Motion Sensor offers dimmability. ⁽⁵⁾ For a complete listing of Fifth Light products, visit www.eaton.com/lightingsystems ⁽⁶⁾ With integral test switch/indicator/laser test. For approximate delivered lumens multiply the lumens per watt of the desired fixture by the wattage of the emergency battery pack (100 lm/W x 7=700 lumens). IES-format photometry for luminaire under emergency operation available. ⁽⁹⁾ Used to bypass local control during outage. Must be used in conjunction with UL 1008 device (provided by others). GTR2 and ETR2 options include 2 relays on fixtures with dimming drivers. ETRD option only requires one relay when used on a dimming fixture. Must specify voltage as 120V or 277V when ordering these devices. ⁽¹⁰⁾ Most common C&P shown. Must specify location for cord. All "end" locations will be on the end with sensor installed. ⁽¹¹⁾ Consult tech support on numerous options for this feature. ⁽¹²⁾ DesignLights Consortium® Qualified and classified for both DLC Standard and DLC Premium, refer to www.designlights.org for details. ⁽¹³⁾ Requires two drivers. ⁽¹⁴⁾ DALI and Step-dim versions require two drivers.

Specifications & dimensions subject to change without notice. Consult your Eaton Representative for availability and ordering information.