

DESCRIPTION

SNLED Lensed is a narrow LED lensed striplight series. This high quality luminaire is dedicated to the latest solid state lighting and electronic driver technology for optimal performance and energy efficiency. This Lensed product is available with three different lens types.

The small size of the SNLED makes it an ideal choice for size restricted architectural applications. The SNLED Series can be the illumination solution in commercial, industrial, retail and residential applications. Fixtures can be used in storage/utility areas, coves, display cases, shops, task and general area lighting.

SPECIFICATION FEATURES

Construction

Channel is die formed cold rolled steel with numerous KOs for ease of installation. Groove for Tong Hanger. End plate quickly converts to snap-in channel connector for continuous row alignment. Channel/wireway cover secured with sheet metal screws.

Controls

Equipped standard with a 0-10V continuous dimming driver that works with any standard 0-10V control/dimmer. Combine with energy saving products like occupancy sensors, day lighting controls, and lighting relay panels to maximize energy savings. For motion control, reference options for both end and middle of the row applications. Standard dimming is 0-10V to 10% with 1%, step and Fifth Light DALI dimming options available.

Electrical

Long-Life LED system coupled with electrical driver to deliver optimal performance. LED's available in 3000K, 3500K, 4000K or 5000K with a minimum of 80 CRI. Projected life at 70% lumen maintenance is nearly 170,000 hours with TM21 rating up to L82 >60,000 hours. Electronic drivers are cULus recognized and available for 120-277V, 347V and 480V applications.

Emergency Battery Pack Option

Optional 120v-277v integral emergency battery pack is

available in 7-watts or 14-watts to meet critical life-safety lighting requirements. The 90-minute batteries provide constant power to the LED system, ensuring code-compliance. A test switch/indicator button can be tested safely from the ground using a laser pointer, while the patented EZ Key prevents accidental discharge of the battery during construction. See ordering information for details.

Finish

Multistage iron phosphate pretreatment ensures maximum bonding and rust inhibitor. High reflective paint after fabrication, baked white enamel finish is standard.

Channel/Wireway Cover

Die formed heavy gauge steel. Tight fit for ease of maintenance.

Shielding

Offers three different lensed optical distributions. (LC) Clear with linear optical ribs. (LN) Semi-frost for narrow distribution. (LW) Full frost for wide distribution.

Installation

Fixture may be surface, pendant, or stem mounted. See accessories below in ordering information.

Compliance

Components are UL recognized. Indoor luminaires are cULus listed for 40° C ambient environments, RoHS compliant, damp location listed, and comply with IESNA LM-79. LEDs comply with LM-80 standards. Drivers are NEMA 410 compliant. DesignLights Consortium® Qualified and classified for both DLC Standard and DLC Premium, refer to www.designlights.org for details.

Warranty

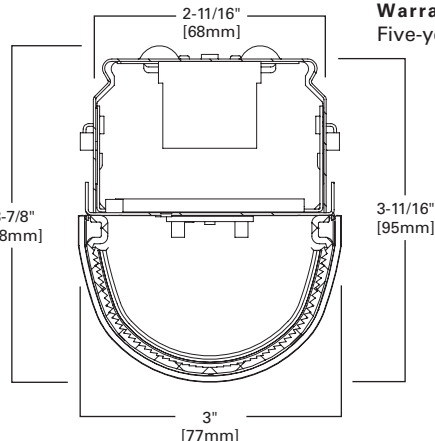
Five-year warranty.



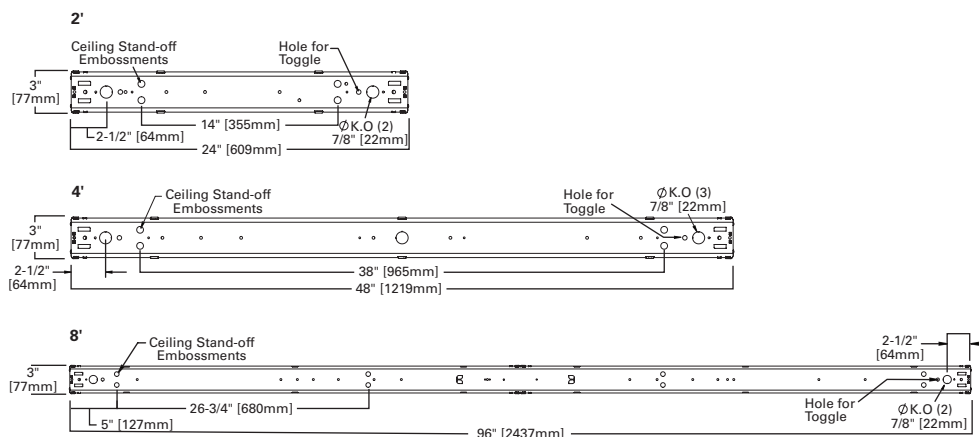
SNLED LENSED LED

Lensed LED Striplight

powered by



MOUNTING DATA



WATTAGE

SNLED Type	Lumen Type	Length	Catalog Number**	Nominal 3500K Lumens	Wattage	lm/W
Clear Lens (LC)	Standard	2 ft.	2SNLED-LD5-18SL-LC-UNV-L8XX-CD1-U	2043	15.9	128
Clear Lens (LC)	Standard	2 ft.	2SNLED-LD5-22SL-LC-UNV-L8XX-CD1-U	2358	17.2	137
Clear Lens (LC)	Standard	2 ft.	2SNLED-LD5-26SL-LC-UNV-L8XX-CD1-U	2699	20.1	134
Clear Lens (LC)	High	2 ft.	2SNLED-LD5-34HL-LC-UNV-L8XX-CD1-U	3442	25.8	133

Clear Lens (LC)	Standard	4 ft.	4SNLED-LD5-18SL-LC-UNV-L8XX-CD1-U	1955	14.6	134
Clear Lens (LC)	Standard	4 ft.	4SNLED-LD5-22SL-LC-UNV-L8XX-CD1-U	2382	16.0	149
Clear Lens (LC)	Standard	4 ft.	4SNLED-LD5-26SL-LC-UNV-L8XX-CD1-U	2826	19.3	147
Clear Lens (LC)	Standard	4 ft.	4SNLED-LD5-30SL-LC-UNV-L8XX-CD1-U	3199	22.1	145
Clear Lens (LC)	Standard	4 ft.	4SNLED-LD5-34SL-LC-UNV-L8XX-CD1-U	3567	24.9	143
Clear Lens (LC)	Standard	4 ft.	4SNLED-LD5-37SL-LC-UNV-L8XX-CD1-U	3914	27.7	141
Clear Lens (LC)	Standard	4 ft.	4SNLED-LD5-41SL-LC-UNV-L8XX-CD1-U	4261	30.6	139
Clear Lens (LC)	Standard	4 ft.	4SNLED-LD5-46SL-LC-UNV-L8XX-CD1-U	4708	34.6	136
Clear Lens (LC)	Standard	4 ft.	4SNLED-LD5-49SL-LC-UNV-L8XX-CD1-U	5139	38.7	133
Clear Lens (LC)	Standard	4 ft.	4SNLED-LD5-52SL-LC-UNV-L8XX-CD1-U	5551	42.8	130
Clear Lens (LC)	Standard	4 ft.	4SNLED-LD5-56SL-LC-UNV-L8XX-CD1-U	5950	47.1	126
Clear Lens (LC)	Standard	4 ft.	4SNLED-LD5-63SL-LC-UNV-L8XX-CD1-U	6340	51.5	123
Clear Lens (LC)	Standard	4 ft.	4SNLED-LD5-66SL-LC-UNV-L8XX-CD1-U	6603	54.9	120
Clear Lens (LC)	High	4 ft.	4SNLED-LD5-52HL-LC-UNV-L8XX-CD1-U	5215	37.0	141
Clear Lens (LC)	High	4 ft.	4SNLED-LD5-55HL-LC-UNV-L8XX-CD1-U	5569	40.0	139
Clear Lens (LC)	High	4 ft.	4SNLED-LD5-60HL-LC-UNV-L8XX-CD1-U	5920	43.0	138
Clear Lens (LC)	High	4 ft.	4SNLED-LD5-76HL-LC-UNV-L8XX-CD1-U	7698	61.8	125

Clear Lens (LC)	Standard	8 ft.	8TSNLED-LD5-60SL-LC-UNV-L8XX-CD1-U	6399	44.1	145
Clear Lens (LC)	Standard	8 ft.	8TSNLED-LD5-68SL-LC-UNV-L8XX-CD1-U	7134	49.7	143
Clear Lens (LC)	Standard	8 ft.	8TSNLED-LD5-75SL-LC-UNV-L8XX-CD1-U	7828	55.4	141
Clear Lens (LC)	Standard	8 ft.	8TSNLED-LD5-83SL-LC-UNV-L8XX-CD1-U	8522	61.2	139
Clear Lens (LC)	Standard	8 ft.	8TSNLED-LD5-90SL-LC-UNV-L8XX-CD1-U	9415	69.2	136
Clear Lens (LC)	Standard	8 ft.	8TSNLED-LD5-98SL-LC-UNV-L8XX-CD1-U	10277	77.4	133
Clear Lens (LC)	Standard	8 ft.	8TSNLED-LD5-105SL-LC-UNV-L8XX-CD1-U	11102	85.6	130
Clear Lens (LC)	High	8 ft.	8TSNLED-LD5-130HL-LC-UNV-L8XX-CD1-U	11839	85.9	138
Clear Lens (LC)	High	8 ft.	8TSNLED-LD5-170HL-LC-UNV-L8XX-CD2-U	15396	123.6	125

* Stocked in either 3500K or 4000K. Check Flash for stock availability.

** Lumen portion of catalog number may not match actual lumens.

WATTAGE

SNLED Type	Lumen Type	Length	Catalog Number**	Nominal 3500K Lumens	Wattage	lm/W
Semi-Frost Lens (LN)	Standard	2 ft.	2SNLED-LD5-18SL-LN-UNV-L8XX-CD1-U	1983	15.9	125
Semi-Frost Lens (LN)	Standard	2 ft.	2SNLED-LD5-22SL-LN-UNV-L8XX-CD1-U	2289	17.2	133
Semi-Frost Lens (LN)	Standard	2 ft.	2SNLED-LD5-26SL-LN-UNV-L8XX-CD1-U	2620	20.1	130
Semi-Frost Lens (LN)	High	2 ft.	2SNLED-LD5-32HL-LN-UNV-L8XX-CD1-U	3341	25.8	130
Semi-Frost Lens (LN)	Standard	4 ft.	4SNLED-LD5-18SL-LN-UNV-L8XX-CD1-U	1898	14.6	130
Semi-Frost Lens (LN)	Standard	4 ft.	4SNLED-LD5-22SL-LN-UNV-L8XX-CD1-U	2313	16.0	144
Semi-Frost Lens (LN)	Standard	4 ft.	4SNLED-LD5-26SL-LN-UNV-L8XX-CD1-U	2744	19.3	142
Semi-Frost Lens (LN)	Standard	4 ft.	4SNLED-LD5-30SL-LN-UNV-L8XX-CD1-U	3106	22.1	141
Semi-Frost Lens (LN)	Standard	4 ft.	4SNLED-LD5-34SL-LN-UNV-L8XX-CD1-U	3463	24.9	139
Semi-Frost Lens (LN)	Standard	4 ft.	4SNLED-LD5-37SL-LN-UNV-L8XX-CD1-U	3800	27.7	137
Semi-Frost Lens (LN)	Standard	4 ft.	4SNLED-LD5-41SL-LN-UNV-L8XX-CD1-U	4137	30.6	135
Semi-Frost Lens (LN)	Standard	4 ft.	4SNLED-LD5-46SL-LN-UNV-L8XX-CD1-U	4570	34.6	132
Semi-Frost Lens (LN)	Standard	4 ft.	4SNLED-LD5-49SL-LN-UNV-L8XX-CD1-U	4989	38.7	129
Semi-Frost Lens (LN)	Standard	4 ft.	4SNLED-LD5-53SL-LN-UNV-L8XX-CD1-U	5389	42.8	126
Semi-Frost Lens (LN)	Standard	4 ft.	4SNLED-LD5-56SL-LN-UNV-L8XX-CD1-U	5777	47.1	123
Semi-Frost Lens (LN)	Standard	4 ft.	4SNLED-LD5-61SL-LN-UNV-L8XX-CD1-U	6155	51.5	120
Semi-Frost Lens (LN)	Standard	4 ft.	4SNLED-LD5-64SL-LN-UNV-L8XX-CD1-U	6410	54.9	117
Semi-Frost Lens (LN)	High	4 ft.	4SNLED-LD5-50HL-LN-UNV-L8XX-CD1-U	5063	37.0	137
Semi-Frost Lens (LN)	High	4 ft.	4SNLED-LD5-54HL-LN-UNV-L8XX-CD1-U	5407	40.0	135
Semi-Frost Lens (LN)	High	4 ft.	4SNLED-LD5-60HL-LN-UNV-L8XX-CD1-U	5747	43.0	134
Semi-Frost Lens (LN)	High	4 ft.	4SNLED-LD5-74HL-LN-UNV-L8XX-CD1-U	7474	61.8	121
Semi-Frost Lens (LN)	Standard	8 ft.	8TSNLED-LD5-60SL-LN-UNV-L8XX-CD1-U	6212	44.1	141
Semi-Frost Lens (LN)	Standard	8 ft.	8TSNLED-LD5-68SL-LN-UNV-L8XX-CD1-U	6926	49.7	139
Semi-Frost Lens (LN)	Standard	8 ft.	8TSNLED-LD5-75SL-LN-UNV-L8XX-CD1-U	7600	55.4	137
Semi-Frost Lens (LN)	Standard	8 ft.	8TSNLED-LD5-83SL-LN-UNV-L8XX-CD1-U	8273	61.2	135
Semi-Frost Lens (LN)	Standard	8 ft.	8TSNLED-LD5-91SL-LN-UNV-L8XX-CD1-U	9141	69.2	132
Semi-Frost Lens (LN)	Standard	8 ft.	8TSNLED-LD5-98SL-LN-UNV-L8XX-CD1-U	9978	77.4	129
Semi-Frost Lens (LN)	Standard	8 ft.	8TSNLED-LD5-106SL-LN-UNV-L8XX-CD1-U	10779	85.6	126
Semi-Frost Lens (LN)	High	8 ft.	8TSNLED-LD5-130HL-LN-UNV-L8XX-CD1-U	11494	85.9	134
Semi-Frost Lens (LN)	High	8 ft.	8TSNLED-LD5-170HL-LN-UNV-L8XX-CD2-U	14947	123.6	121

* Stocked in either 3500K or 4000K. Check Flash for stock availability.

** Lumen portion of catalog number may not match actual lumens.

WATTAGE

SNLED Type	Lumen Type	Length	Catalog Number**	Nominal 3500K Lumens	Wattage	lm/W
Full Frost Lens (LW)	Standard	2 ft.	2SNLED-LD5-16SL-LW-UNV-L8XX-CD1-U	1825	15.9	115
Full Frost Lens (LW)	Standard	2 ft.	2SNLED-LD5-20SL-LW-UNV-L8XX-CD1-U	2106	17.2	122
Full Frost Lens (LW)	Standard	2 ft.	2SNLED-LD5-23SL-LW-UNV-L8XX-CD1-U	2410	20.1	120
Full Frost Lens (LW)	High	2 ft.	2SNLED-LD5-30HL-LW-UNV-L8XX-CD1-U	2936	25.8	114

Full Frost Lens (LW)	Standard	4 ft.	4SNLED-LD5-16SL-LW-UNV-L8XX-CD1-U	1746	14.6	120
Full Frost Lens (LW)	Standard	4 ft.	4SNLED-LD5-20SL-LW-UNV-L8XX-CD1-U	2128	16.0	133
Full Frost Lens (LW)	Standard	4 ft.	4SNLED-LD5-23SL-LW-UNV-L8XX-CD1-U	2524	19.3	131
Full Frost Lens (LW)	Standard	4 ft.	4SNLED-LD5-27SL-LW-UNV-L8XX-CD1-U	2857	22.1	130
Full Frost Lens (LW)	Standard	4 ft.	4SNLED-LD5-30SL-LW-UNV-L8XX-CD1-U	3186	24.9	128
Full Frost Lens (LW)	Standard	4 ft.	4SNLED-LD5-33SL-LW-UNV-L8XX-CD1-U	3495	27.7	126
Full Frost Lens (LW)	Standard	4 ft.	4SNLED-LD5-37SL-LW-UNV-L8XX-CD1-U	3805	30.6	124
Full Frost Lens (LW)	Standard	4 ft.	4SNLED-LD5-41SL-LW-UNV-L8XX-CD1-U	4204	34.6	122
Full Frost Lens (LW)	Standard	4 ft.	4SNLED-LD5-44SL-LW-UNV-L8XX-CD1-U	4589	38.7	119
Full Frost Lens (LW)	Standard	4 ft.	4SNLED-LD5-47SL-LW-UNV-L8XX-CD1-U	4958	42.8	116
Full Frost Lens (LW)	Standard	4 ft.	4SNLED-LD5-50SL-LW-UNV-L8XX-CD1-U	5314	47.1	113
Full Frost Lens (LW)	Standard	4 ft.	4SNLED-LD5-56SL-LW-UNV-L8XX-CD1-U	5662	51.5	110
Full Frost Lens (LW)	Standard	4 ft.	4SNLED-LD5-58SL-LW-UNV-L8XX-CD1-U	5897	54.9	107
Full Frost Lens (LW)	High	4 ft.	4SNLED-LD5-44HL-LW-UNV-L8XX-CD1-U	4449	37.0	120
Full Frost Lens (LW)	High	4 ft.	4SNLED-LD5-48HL-LW-UNV-L8XX-CD1-U	4751	40.0	119
Full Frost Lens (LW)	High	4 ft.	4SNLED-LD5-54HL-LW-UNV-L8XX-CD1-U	5051	43.0	118
Full Frost Lens (LW)	High	4 ft.	4SNLED-LD5-65HL-LW-UNV-L8XX-CD1-U	6568	61.8	106

Full Frost Lens (LW)	Standard	8 ft.	8TSNLED-LD5-54SL-LW-UNV-L8XX-CD1-U	5715	44.1	130
Full Frost Lens (LW)	Standard	8 ft.	8TSNLED-LD5-61SL-LW-UNV-L8XX-CD1-U	6371	49.7	128
Full Frost Lens (LW)	Standard	8 ft.	8TSNLED-LD5-67SL-LW-UNV-L8XX-CD1-U	6991	55.4	126
Full Frost Lens (LW)	Standard	8 ft.	8TSNLED-LD5-74SL-LW-UNV-L8XX-CD1-U	7611	61.2	124
Full Frost Lens (LW)	Standard	8 ft.	8TSNLED-LD5-81SL-LW-UNV-L8XX-CD1-U	8409	69.2	122
Full Frost Lens (LW)	Standard	8 ft.	8TSNLED-LD5-88SL-LW-UNV-L8XX-CD1-U	9179	77.4	119
Full Frost Lens (LW)	Standard	8 ft.	8TSNLED-LD5-95SL-LW-UNV-L8XX-CD1-U	9916	85.6	116
Full Frost Lens (LW)	High	8 ft.	8TSNLED-LD5-110HL-LW-UNV-L8XX-CD1-U	10101	85.9	118
Full Frost Lens (LW)	High	8 ft.	8TSNLED-LD5-150HL-LW-UNV-L8XX-CD2-U	13136	123.6	106

* Stocked in either 3500K or 4000K. Check Flash for stock availability.

** Lumen portion of catalog number may not match actual lumens.

PHOTOMETRICS

See website for IES/photometric files

TYPICAL LUMEN MAINTENANCE

Ambient Temperature	TM-21 Lumen Maintenance (60,000 hours)	Theoretical L70 (Hours)
25°C	> 82%	170,000

Max Ambient temp in compliance with UL and CSA: 40°C

ORDERING INFORMATION

SAMPLE NUMBER: 4SNLED-LD5-46SL-LN-UNV-L835-CD1-U

<p>2=2' Length 4=4' Length 8T=8' Length</p> <p>Series SNLED=Commercial LED Striplight⁽¹²⁾</p> <p>Lamp Type LD5=LED 5.0</p>	<p>Optic LC=Clear Lens LN=Semi-Frost Lens - Narrow LW=Full Frost Lens - Wide</p> <p>Voltage UNV=Universal Voltage 120-277 347=347V 480=480V⁽³⁾</p>	<p>Driver Type CD=0-10V Dimming Driver (10% - 100% Dimming) HCD=0-10V Dimming Driver (1% - 100% Dimming)⁽⁸⁾ SD=Step-dim (Bi Level)^{(3),(7)} 5LTD=Fifth Light (DALI) Driver^{(3),(5)}</p> <p>Number of Drivers 1=1 Driver 2=2 Drivers</p>	<p>Packaging U=Unit Pack</p>																																																																																				
<p>LED Lumen Packages⁽¹⁾</p> <table border="1"> <thead> <tr> <th>LC</th> <th>LN</th> <th>LW</th> </tr> </thead> <tbody> <tr><td>18SL</td><td>18SL</td><td>16SL</td></tr> <tr><td>22SL</td><td>22SL</td><td>20SL</td></tr> <tr><td>26SL</td><td>26SL</td><td>23SL</td></tr> <tr><td>30SL</td><td>30SL</td><td>27SL</td></tr> <tr><td>34SL</td><td>32HL</td><td>30SL</td></tr> <tr><td>34HL</td><td>34SL</td><td>30HL</td></tr> <tr><td>37SL</td><td>37SL</td><td>33SL</td></tr> <tr><td>41SL</td><td>41SL</td><td>37SL</td></tr> <tr><td>46SL</td><td>46SL</td><td>41SL</td></tr> <tr><td>49SL</td><td>49SL</td><td>44SL</td></tr> <tr><td>52SL</td><td>50HL</td><td>44HL</td></tr> <tr><td>55SL</td><td>53SL</td><td>47SL</td></tr> <tr><td>56SL</td><td>54HL</td><td>48HL</td></tr> <tr><td>60SL</td><td>56SL</td><td>50SL</td></tr> <tr><td>60HL</td><td>60SL</td><td>54SL</td></tr> <tr><td>63SL</td><td>61SL</td><td>54HL</td></tr> <tr><td>66SL</td><td>60HL</td><td>56SL</td></tr> <tr><td>68SL</td><td>64SL</td><td>58SL</td></tr> <tr><td>75SL</td><td>68SL</td><td>61SL</td></tr> <tr><td>83SL</td><td>74HL</td><td>65HL</td></tr> <tr><td>90SL</td><td>75SL</td><td>67SL</td></tr> <tr><td>98SL</td><td>83SL</td><td>74SL</td></tr> <tr><td>105SL</td><td>91SL</td><td>81SL</td></tr> <tr><td>130HL</td><td>98SL</td><td>88SL</td></tr> <tr><td>170HL⁽²⁾</td><td>106SL</td><td>95SL</td></tr> <tr><td></td><td>130HL</td><td>110HL</td></tr> <tr><td></td><td>170HL⁽²⁾</td><td>150HL⁽²⁾</td></tr> </tbody> </table>		LC	LN	LW	18SL	18SL	16SL	22SL	22SL	20SL	26SL	26SL	23SL	30SL	30SL	27SL	34SL	32HL	30SL	34HL	34SL	30HL	37SL	37SL	33SL	41SL	41SL	37SL	46SL	46SL	41SL	49SL	49SL	44SL	52SL	50HL	44HL	55SL	53SL	47SL	56SL	54HL	48HL	60SL	56SL	50SL	60HL	60SL	54SL	63SL	61SL	54HL	66SL	60HL	56SL	68SL	64SL	58SL	75SL	68SL	61SL	83SL	74HL	65HL	90SL	75SL	67SL	98SL	83SL	74SL	105SL	91SL	81SL	130HL	98SL	88SL	170HL ⁽²⁾	106SL	95SL		130HL	110HL		170HL ⁽²⁾	150HL ⁽²⁾	<p>Options Emergency EL7W=7-watt, 120V-277V emergency battery pack installed^{(3),(6)} EL14W=14-watt 120V-277V emergency battery pack installed^{(3),(6)} GTD2=Bodine Generator Transfer Device⁽⁹⁾ ETS2=IOTA Emergency Transfer Switch⁽⁹⁾</p> <p>Wiring PI/CPI=Plug in and cross over plug in options⁽¹¹⁾ PC6/515P=(NEMA 5-15P) 6' Cord with NEMA Straight Plug^{(10),(11)} PC6/L715=(NEMA L7-15P) 6' Cord with NEMA Twist Plug^{(10),(11)}</p> <p>Motion Sensors LB-ERMS360=360° Low Bay Motion Sensor - End of Row LB-MRMS360=360° Low Bay Motion Sensor - Middle of Row HB-ERMS360=360° High Bay Motion Sensor - End of Row⁽⁴⁾ HB-MRMS360=360° High Bay Motion Sensor - Middle of Row⁽⁴⁾</p> <p>CCT L830=3000K L835=3500K L840=4000K L850=5000K</p>	<p>ACCESSORIES (Order Separately) AYC=Chain/Set=36" Chain Hanger (Use 1 set per fixture) SCF=Fixed Stem Set (Specify Length) SCS=Swivel Stem Set (Specify Length) SCA=Adjustable 48" Stem Set EYE CHAIN SET/3FT=Eye Bolt Chain (Use 1 set per fixture) WG/SNF-2FT=2' Wire Guard WG/SNF-4FT=4' Wire Guard A1B/Spacer-U=Spacer 1-1/2" to 2-1/2" from ceiling (Use 2 per fixture) TOGGLE=Single Toggle No. 2 (Specify Length) Y-TOGGLE=Y Toggle No. 2 (Specify Length)</p>
LC	LN	LW																																																																																					
18SL	18SL	16SL																																																																																					
22SL	22SL	20SL																																																																																					
26SL	26SL	23SL																																																																																					
30SL	30SL	27SL																																																																																					
34SL	32HL	30SL																																																																																					
34HL	34SL	30HL																																																																																					
37SL	37SL	33SL																																																																																					
41SL	41SL	37SL																																																																																					
46SL	46SL	41SL																																																																																					
49SL	49SL	44SL																																																																																					
52SL	50HL	44HL																																																																																					
55SL	53SL	47SL																																																																																					
56SL	54HL	48HL																																																																																					
60SL	56SL	50SL																																																																																					
60HL	60SL	54SL																																																																																					
63SL	61SL	54HL																																																																																					
66SL	60HL	56SL																																																																																					
68SL	64SL	58SL																																																																																					
75SL	68SL	61SL																																																																																					
83SL	74HL	65HL																																																																																					
90SL	75SL	67SL																																																																																					
98SL	83SL	74SL																																																																																					
105SL	91SL	81SL																																																																																					
130HL	98SL	88SL																																																																																					
170HL ⁽²⁾	106SL	95SL																																																																																					
	130HL	110HL																																																																																					
	170HL ⁽²⁾	150HL ⁽²⁾																																																																																					

NOTES: ⁽¹⁾ Nominal lumen values. See table for value and fixture length. ⁽²⁾ Two drivers required. ⁽³⁾ 4 ft. and 8 ft. only. ⁽⁴⁾ Motion Sensor offers dimmability. ⁽⁵⁾ Available for 41 watts and above. Two drivers required for 85 watts and above. For a complete listing of Fifth Light products, visit www.eaton.com/lightingsystems ⁽⁶⁾ With integral test switch/indicator/laser test. For approximate delivered lumens multiply the lumens per watt of the desired fixture by the wattage of the emergency battery pack (100 lm/W x 7=700 lumens). IES-format photometry for luminaire under emergency operation available. ⁽⁷⁾ Available for 41 Watts and above. Two drivers required for 69 watts and above. ⁽⁸⁾ Requires two drivers for 61 watts and above. ⁽⁹⁾ Used to transfer fixture to secondary power source for life-safety operation. When used with a dimming fixture, two devices are required to ensure control is disabled while operating under emergency power. ⁽¹⁰⁾ Most common C&P shown. Must specify location for cord. All "end" locations will be on the end with sensor installed. ⁽¹¹⁾ Consult tech support on numerous options for this feature. ⁽¹²⁾ DesignLights Consortium® Qualified and classified for both DLC Standard and DLC Premium, refer to www.designlights.org for details.

Specifications & dimensions subject to change without notice. Consult your Eaton Representative for availability and ordering information.

SHIPPING DATA

Length.	Wt.
2 ft.	4.3 lbs.
4 ft.	8.2 lbs.
8 ft.	15.1 lbs.



Eaton
1121 Highway 74 South
Peachtree City, GA 30269
P: 770-486-4800
www.eaton.com/lighting

Specifications and dimensions subject to change without notice.