
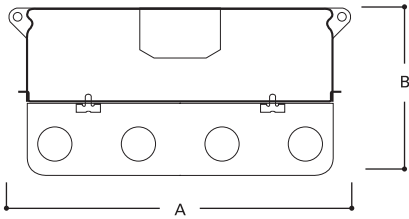


8TSS140120LE3

Catalog Number	Description	UPC	STD					PRICE
			Pack	EGV	Dallas	PTC	CRA	
 SS SERIES STANDARD STRIPLIGHT								
8TSS-132-120V-EB81-U	2 LAMP, TANDEM 8' STRIP, ELECTRONIC BALLAST, T8	66240023330	1			Y		
8TSS-132-277V-EB81-U	2 LAMP, TANDEM 8' STRIP, ELECTRONIC BALLAST, T8	66240023598	1			Y		
8TSS-132-UNV-EB81-U	2 LAMP, TANDEM 8' STRIP, ELECTRONIC BALLAST, T8	66240124055	1				Y	
8TSS-232-120V-EB81-4B	4 LAMP, TANDEM 8' STRIP, ELECTRONIC BALLAST, T8	66240135285	4			Y		
8TSS-232-120V-EB81-U	4 LAMP, TANDEM 8' STRIP, ELECTRONIC BALLAST, T8	66240172111	1	Y		Y	Y	
8TSS-232-277V-EB81-4B	4 LAMP, TANDEM 8' STRIP, ELECTRONIC BALLAST, T8	66240135286	4			Y		
8TSS-232-277V-EB81-U	4 LAMP, TANDEM 8' STRIP, ELECTRONIC BALLAST, T8	66240023601	1	Y		Y	Y	
8TSS-232-UNV-EB81-U	4 LAMP, TANDEM 8' STRIP, ELECTRONIC BALLAST, T8	66240019112	1				Y	
8TSS-240-120V-LE3-U	4 LAMP, TANDEM 8' STRIP	66240010259	1			Y		
SS-132-120V-EB81-U	1 LAMP, 4' STRIP, ELECTRONIC BALLAST, T8	66240023329	1			Y		
SS-132-UNV-EB81-U	1 LAMP, 4' STRIP, ELECTRONIC BALLAST, T8	66240123484	1				Y	
SS-132-277V-EB81-U	1 LAMP, 4' STRIP, ELECTRONIC BALLAST, T8	66240023600	1			Y		
SS-196-120V-U	1 LAMP, 8' STRIP	66240010250	1	Y		Y		
SS-220-LTS-120V-U	2 LAMP, 2' STRIP	66240010212	1	Y	Y	Y	Y	
SS-225-120V-EB81-U	2 LAMP, 3' STRIP, ELECTRONIC BALLAST, T8	66240138921	1			Y		
SS-225-277V-EB81-U	2 LAMP, 3' STRIP, ELECTRONIC BALLAST, T8	66240171862	1			Y		
SS-225-UNV-EB81-U	2 LAMP, 3' STRIP, ELECTRONIC BALLAST, T8	66240121171	1				Y	
SS-230-120V-U	2 LAMP, 3' STRIP	66240010214	1	Y		Y	Y	
SS-232-120V-EB81-4B	2 LAMP, 4' STRIP, ELECTRONIC BALLAST, T8	66240146839	4			Y		
SS-232-120V-EB81-6B	2 LAMP, 4' STRIP, ELECTRONIC BALLAST, T8	66240135273	6			Y		
SS-232-120V-EB81-U	2 LAMP, 4' STRIP, ELECTRONIC BALLAST, T8	66240023429	1	Y	Y	Y	Y	
SS-232-277V-EB81-6B	2 LAMP, 4' STRIP, ELECTRONIC BALLAST, T8	66240135274	6			Y		
SS-232-277V-EB81-U	2 LAMP, 4' STRIP, ELECTRONIC BALLAST, T8	66240023019	1	Y	Y	Y	Y	
SS-232-UNV-EB81-U	2 LAMP, 4' STRIP, ELECTRONIC BALLAST, T8	66240119138	1				Y	
SS-240-120V-AD-RL234TP-U	2 LAMP, 4' STRIP, RESIDENTIAL BALLAST	66240107776	1				Y	
SS-240-120V-AD-RM2S35TP-U	2 LAMP, 4' STRIP, RESIDENTIAL BALLAST	66240101203	1				Y	
SS-240-120V-LE3-6B	2 LAMP, 4' STRIP	66240135277	6			Y		
SS-240-120V-LE3-U	2 LAMP, 4' STRIP	66240135276	1	Y	Y	Y	Y	
SS-240-120V-Z-U	2 LAMP, 4' STRIP, COLD WEATHER BALLAST	66240010230	1			Y		
SS-240-277V-LE3-U	2 LAMP, 4' STRIP	66240010240	1		Y	Y		
SS-296-120V-EB81-4B	2 LAMP, 8' STRIP, ELECTRONIC BALLAST, T8	66240023864	4			Y		
SS-296-120V-EB81-U	2 LAMP, 8' STRIP, ELECTRONIC BALLAST, T8	66240023533	1	Y	Y	Y	Y	
SS-296-120V-LE3-2B	2 LAMP, 8' STRIP	66240010266	2			Y		
SS-296-120V-LE3-4B	2 LAMP, 8' STRIP	66240010264	4			Y		
SS-296-120V-LE3-U	2 LAMP, 8' STRIP	66240010265	1	Y	Y	Y	Y	
SS-296-120V-Z-U	2 LAMP, 8' STRIP, COLD WEATHER BALLAST	66240011350	1			Y		
SS-296-277V-EB81-4B	2 LAMP, 8' STRIP, ELECTRONIC BALLAST, T8	66240163355	4			Y		
SS-296-277V-EB81-U	2 LAMP, 8' STRIP, ELECTRONIC BALLAST, T8	66240023536	1	Y	Y	Y	Y	
SS-296-277V-LE3-U	2 LAMP, 8' STRIP	66240010273	1	Y	Y	Y	Y	
XP-SS-296-120V-UN-820-U	2 LAMP, 8' STRIP, EXPORT BALLAST	66240181641	1				Y	
XP2-SS-240-120V-U	2 LAMP, 4' STRIP, EXPORT BALLAST	66240182468	1				Y	



DIMENSIONS



NOMINAL LENGTH	A	B
4', 6', 8'	10-1/8" (257mm)	4-7/8" (124mm)

DESCRIPTION

The STW Series is a functional and multi-purpose extra wide, heavy duty, strip family that incorporates premium performance and construction durability. The performance and application versatility of this series can be increased by using optional symmetrical or asymmetrical reflectors. The STW Series can be installed using various mounting methods and numerous options and accessories are available. The STW Series provides a good illumination solution in institutional, commercial, industrial and retail applications. An excellent choice for storage/utility areas, shops, task and general area lighting.



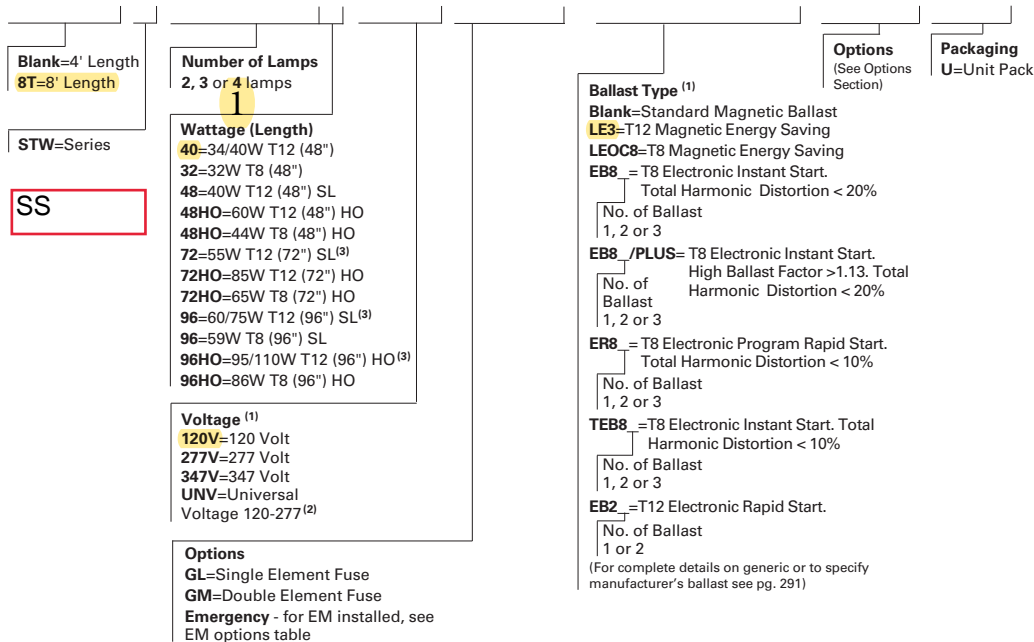
STWSERIES

4', 6' or 8' Strip
2, 3 or 4 Lamps

COMMERCIAL EXTRA WIDE STRIPLITE

ORDERING INFORMATION

SAMPLE NUMBER: STW-232-120V-EB81-U



NOTES: ⁽¹⁾Products also available in non-US voltages and frequencies for international markets. ⁽²⁾Not available when specifying emergencies, voltage must be specific. ⁽³⁾3-lamp (396SL, 372SL, 396HO) fixtures utilize one 2-lamp energy saving ballast (LE3) and one 1-lamp standard ballast (non LE3).

For complete product data, reference the Fluorescent Specification binder. Specifications & dimensions subject to change without notice. Consult your Cooper Lighting Representative for availability and ordering information.

- Equipped with energy saving ballasts/complies with federal energy efficiency standards
- Die formed channels
- Baked enamel finish
- Pressure lock lampholders (RS), spring loaded lampholders (SL, HO)
- Easy wireway access/wireway cover removed without tools
- Numerous KOs for easy installation
- Also available in tandem 8' lengths
- UL/CUL Listed. Suitable for damp locations.