

## DESCRIPTION

The SSF Series is a functional and multi-purpose standard strip family that incorporates premium performance and construction durability. Designed with our easy-to-use Flip-Up socket design, the SSF significantly reduces installation time. The performance and application versatility of this series can be increased by incorporating symmetrical or asymmetrical reflectors. The SSF Series can be installed using various mounting methods and numerous options and accessories are available.

<b>Catalog #</b>		<b>Type</b>
<b>Project</b>		
<b>Comments</b>		<b>Date</b>
<b>Prepared by</b>		

## SPECIFICATION FEATURES

### Construction

Channel die cold rolled steel with numerous KOs for ease of installation. Groove for Tong Hanger. End plate quickly converts to snap-in channel connector for continuous row alignment. Lamp holder bracket flips in place. Channel/wireway cover secured with quarter-turn fasteners.

### Channel/Wireway Cover

Die formed heavy gauge steel. Tight fit for ease of maintenance. Easily removed without use of tools. Optional reflector available incorporating silver technology enhancements (Silver Lining). Consult Pre Sales Technical Support.

### Electrical\*

Ballasts are CBM/ETL Class "P" and are positively secured by mounting bolts. Rotor Lock lampholders. UL/CUL listed. Suitable for damp locations.

### Finish

Multistage iron phosphate pretreatment ensures maximum bonding and rust inhibitor. Lighting upgrade, baked white enamel finish. Prepainted material is standard, PAF optional.

### Application

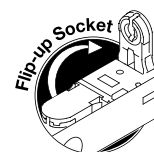
The SSF Series can be the illumination solution in commercial, industrial, retail and residential applications. Fixtures can be used in storage/utility areas, coves, display cases, shops, task and general area lighting.



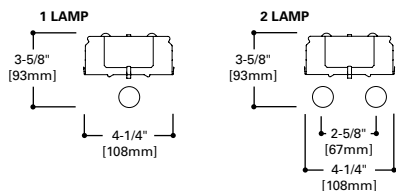
**SSF**  
117, 125  
128T8  
132, 217, 225  
228T8  
232  
328T8  
332

2', 3' OR 4' STRIP  
1, 2 OR 3 T8 LAMPS

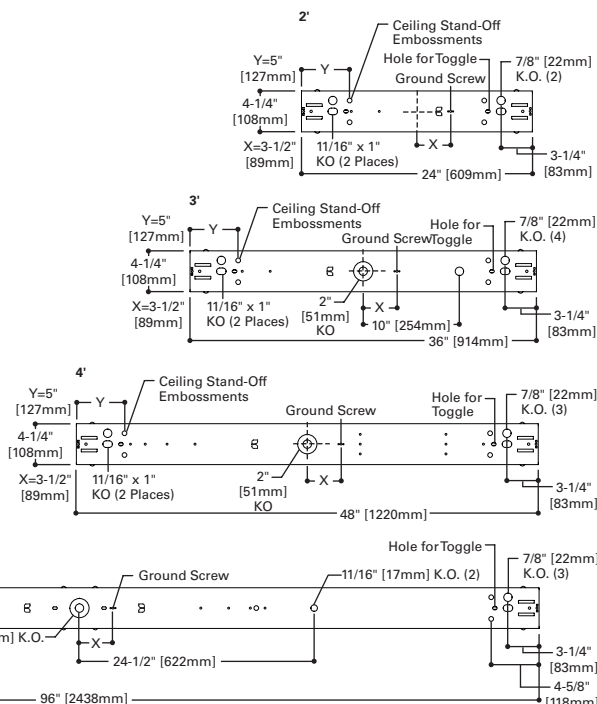
Standard Striplite



## LAMP CONFIGURATIONS



## MOUNTING DATA



## ENERGY DATA

Input Watts:

**EB Ballasts Normal Ballast Factor**  
117 (20), 217 (34), 125 (23), 225 (53),  
128T8 (25), 228T8 (49), 328T8 (71),  
132 (28), 232 (58), 332 (80)

**EB Ballasts Low Ballast Factor**  
125 (21), 225 (40), 128T8 (22),  
228T8 (44), 328T8 (64), 132 (25),  
232 (48), 332 (72)

Luminaire Efficacy Rating

**LER = FS-88**

**Catalog Number:** SSF-232

**Yearly Cost of 1000 lumens,**  
**3000 hrs at .08 KWH = \$2.73**

\*Reference the lamp/ballast data in the Technical Section for specific lamp/ballast requirements.

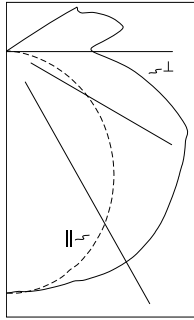
**LAMPS CONTAIN MERCURY. DISPOSE ACCORDING TO LOCAL, STATE OR FEDERAL LAWS**

**LINEAR DISCONNECT**

Safe and convenient means of disconnecting power.



PHOTOMETRICS



SSF-228T8 Electronic Ballast F28T8-SP35-UMX-ECO Lamps 2750 Lumens Spacing criterion: (||) 1.3 x mounting height, (⊥) 1.5 x mounting height Efficiency 86.2% Test Report: SS232.IES LER = FS95 Yearly Cost of 1000 lumens, 3000 hrs at .08 KWH = \$2.53

Candlepower

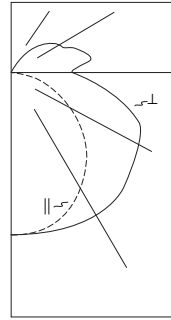
Table with 4 columns: Angle, Along ||, 45°, Across ⊥. Rows 0-90.

Coefficients of Utilization

Table showing effective floor cavity reflectance (80%, 70%, 20%) and RCR for various rc and rw values.

Zonal Lumen Summary

Table with 4 columns: Zone, Lumens, %Lamp, %Fixture. Rows 0-30, 60, 90, 180.



SSF-232 Electronic Ballast FO32T8 Lamps 2900 Lumens Spacing criterion: (||) 1.3 x mounting height, (⊥) 1.6 x mounting height Efficiency 91.6% Test Report: SS232.IES LER = FS-88 Yearly Cost of 1000 lumens, 3000 hrs at .08 KWH = \$2.73

Candlepower

Table with 4 columns: Angle, Along ||, 45°, Across ⊥. Rows 0-90.

Coefficients of Utilization

Table showing effective floor cavity reflectance (80%, 70%, 20%) and RCR for various rc and rw values.

Zonal Lumen Summary

Table with 4 columns: Zone, Lumens, %Lamp, %Fixture. Rows 0-30, 60, 90, 180.

ORDERING INFORMATION

SAMPLE NUMBER: SSF-232-UNV-EB81-U

Ordering options: Tandem, Number of Lamps, Voltage, Options, Wattage.

Ordering options: Ballast Type (BOLLIST ADDED FOR ITEM), Options, Packaging.

ACCESSORIES (Order Separately): A1B/Spacer-U, GRP-SSF, AVC-Chain/Set, SCF, SCS, SCA, CLC-SSF, SSF-ASY-4, SSF-REV-4, SSF-SYM-4, ICF-4FT-REFL, WG/SSF-2FT, WG/SSF-3FT, WG/SSF-4FT, TOGGLE, Y-TOGGLE.

Ballast configurations: No. of Ballast, Total Harmonic Distortion < 10% or > 1.13.

(Additional Accessories Available. See Options and Accessories Section.)

NOTES: (1) Available in 28T8 and 32 watt. Requires two ballasts for Tandem option. (2) Products also available in non-US voltages and frequencies for international markets. (3) For SilverLining reflector add SS in Catalog Number.



Cooper Lighting Solutions 1121 Highway 74 South Peachtree City, GA 30269 P: 770-486-4800 www.cooperlighting.com

Specifications and dimensions subject to change without notice.