

Project		Catalog #		Type	
Prepared by		Notes		Date	



# Metalux

## OHB LED

### LED High Bay Efficiency Luminaire 2' Length

#### Typical Applications

Industrial • Commercial • Manufacturing • Food Processing • Sports / Multi-Purpose

### Interactive Menu

- Order Information [page 2](#)
- Photometric Data [page 3](#)
- Connected Systems [page 6](#)
- Product Warranty

### Product Certification



### Product Features

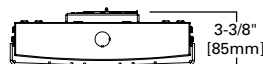
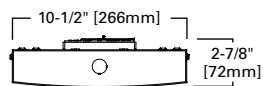


### Top Product Features

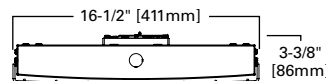
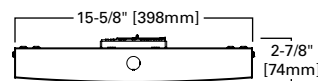
- Precision designed optical performance
- Offered in both standard and high efficacy versions
- High performance efficacy up to 206 lm/W
- Efficient 1-for-1 replacement of linear fluorescent & HID fixtures
- Lumen packages – 9K, 12K, 15K, 18K, 24K, 30K, 36K
- Narrow, medium, and wide distribution
- Options to meet Buy American and other domestic preference requirements

### Dimensional and Mounting Details

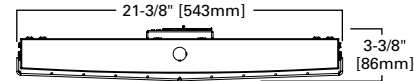
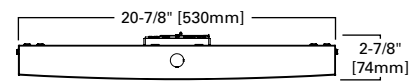
OHB-9SE, 12SE, 15SE



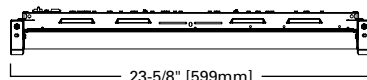
OHB-9HE, 12HE, 15HE, 18HE, 18SE, 24SE, 30SE



OHB-24HE, 30HE, 36SE



2' Side View



[additional product diagrams](#)

## Order Information

SAMPLE ORDER NUMBER: **OHB-24SE-MFL-UNV-L840-CD-U** Includes V Hangers for rapid installation

Domestic Preferences	Series	Lumen Package	Efficacy	Distribution/Shielding	Voltage	CCT/CRI
<b>[Blank]</b> =Standard <b>BAA</b> =Buy American Act <b>TAA</b> =Trade Agreements Act	<b>OHB</b> =Optimized High Bay, 2 ft.	<b>9</b> =9,000 Lumens <b>12</b> =12,000 Lumens <b>15</b> =15,000 Lumens <b>18</b> =18,000 Lumens <b>24</b> =24,000 Lumens <b>30</b> =30,000 Lumens <b>36</b> =36,000 Lumens	<b>SE</b> =Standard Efficacy <b>HE</b> =High Efficacy <sup>(3)</sup>	<b>N</b> =Narrow <b>MFL</b> =Medium Frosted <b>MCL</b> =Medium Clear <b>W</b> =Wide <b>NL</b> =No Lens	<b>120V</b> =120 Volt <b>277V</b> =277 Volt <b>347V</b> =347 Volt <b>480V</b> =480 Volt <b>UNV</b> =Universal Voltage 120-277 <b>UNC</b> =Universal Voltage 347/480	<b>L730</b> =70CRI / 3000K <b>L735</b> =70CRI / 3500K <b>L740</b> =70CRI / 4000K <b>L750</b> =70CRI / 5000K <b>L830</b> =80CRI / 3000K <b>L835</b> =80CRI / 3500K <b>L840</b> =80CRI / 4000K <b>L850</b> =80CRI / 5000K <b>L930</b> =90CRI / 3000K <b>L935</b> =90CRI / 3500K <b>L940</b> =90CRI / 4000K <b>L950</b> =90CRI / 5000K
<b>Notes</b> (1) Only product configurations with these designated prefixes are built to be compliant with the Buy American Act of 1933 (BAA) or Trade Agreements Act of 1979 (TAA), respectively. Please refer to <a href="#">DOMESTIC PREFERENCES</a> website for more information. Components shipped separately may be separately analyzed under domestic preference requirements.	<b>Notes</b> (2) DesignLights Consortium® Qualified and classified for both DLC Standard and DLC Premium, refer to <a href="#">www.designlights.org</a> for details.	<b>Notes</b> (3) HE not available for 36K lumens.	<b>Notes</b> (4) Voltage must be specified when ordered with plugs or emergency drivers. (5) When ordering sensor or EBP/TD option, specify as UNV (for 120V or 277V), 347V or 480V. (6) Ambient temperatures limited to 40C when using emergency, sensors, or 5LTD in conjunction with 347V or 480V.			

Options	Driver Type	Wiring
<b>Options</b> <b>EBP/TD *</b> <b>EL20W</b> = 20-watt 120V-277V emergency battery pack installed <sup>(7), (8), (10), (11), (12), (14)</sup> <b>EL20-W-REM</b> =20-watt 120V-277V emergency battery pack remote mounted <sup>(7), (8), (11), (12), (14)</sup> <b>ETRD</b> =Emergency Transfer Relay with dimming control <sup>(9), (10), (13)</sup>	<b>CD</b> =0-10V Dimming Driver <b>5LTD</b> =Fifth Light DALI <sup>(15), (16)</sup>	<b>C3 (1)</b> =1 Circuit, 3' Cord with no Plug <b>C3 (2)</b> =2 Circuits, 3' Cord with no Plug <b>C6 (1)</b> =1 Circuit, 6' Cord with no Plug <b>C6 (2)</b> =2 Circuits, 6' Cord with no Plug <b>C10 (1)</b> =1 Circuit, 10' Cord with no Plug <b>C10 (2)</b> =2 Circuits, 10' Cord with no Plug <b>PC3/120</b> =(NEMA L5-15P) 3' Cord with NEMA Plug <b>PC3/277</b> =(NEMA L7-15P) 3' Cord with NEMA Plug <b>PC3/347</b> =(NEMA L24-20P) 3' Cord with NEMA Plug <b>PC3/480</b> =(NEMA L8-20P) 3' Cord with NEMA Plug <b>PC6/120</b> =(NEMA L5-15P) 6' Cord with NEMA Plug <b>PC6/277</b> =(NEMA L7-15P) 6' Cord with NEMA Plug <b>PC6/347</b> =(NEMA L24-20P) 6' Cord with NEMA Plug <b>PC6/480</b> =(NEMA L8-20P) 6' Cord with NEMA Plug
<b>Notes</b> * Emergency and transfer devices are UL924 listed. (7) For approximate delivered lumens multiply the lumens per watt of the emergency battery pack by the wattage of the emergency battery pack. (8) EM options available in 0°C - 45°C ambient. (9) Used to transfer fixture to secondary power during outage. Must be used in conjunction with UL 1008 device (provided by others). These options require 2 relays on fixtures with dimming drivers. ETRD option only requires one relay when used on a dimming fixture. A maximum of two devices can be used on one product. (10) OHB-SPM mounting not available with EL20W or ETRD options. (11) Refer to Ambient Chart for temperature ratings. (12) Ambient temperatures limited to 40C when using emergency, sensors, or 5LTD in conjunction with 347V or 480V. (13) Not available with 36SE lumen package. (14) Not available with UNC (347V or 480V) for 36K lumens due to space constraints.	<b>Notes</b> (15) Sensor or UNC not available in conjunction with 5LTD driver. (16) 5LTD not available for 36SE Lumen Package.	

Options	Packaging	Accessories
<b>Options</b> <b>MP</b> =Modular Plug <sup>(18)</sup> <b>PAF</b> =Painted After Fabrication <b>HA</b> =High Ambient <sup>(19), (20)</sup> <b>Motion Sensors</b> <b>MS</b> =360° or 180° Motion Sensor Installed, (specify voltage) <sup>(17), (23), (25)</sup> <b>SVPD3</b> =Integrated Occupancy and Daylight Dimming Sensor, 1200 sq. ft. coverage <sup>(17), (25)</sup> <b>OEPF010VMV</b> =Occupancy Sensor with Integrated Photocell <sup>(17), (23), (26)</sup> <b>FSP-211/L7-U</b> =PIR Occupancy Sensor with integral 0-10V Dimming <sup>(17), (21), (24), (25)</sup> <b>FSP-321/L7-U</b> =PIR Occupancy Sensor with integral 0-10V dimming <sup>(17), (22), (24)</sup> <b>LWR</b> =Enlightened Wireless Sensor system <sup>(17), (25)</sup> <b>ZW-SWPD3</b> =Integrated Wavelinx Wireless Sensor, 1200 sq ft. coverage <sup>(17), (25)</sup> <b>WLS4</b> =WaveLinx Lite Wireless Integrated Sensor, 15'-40' Mounting Height <sup>(17), (25), (27)</sup> <b>ZLD1Z</b> =Leviton 120-277V PIR Occupancy Sensor with integral 0-10V Dimming <sup>(24), (31)</sup>	<b>Options</b> <b>U</b> =Unit Pack <b>PALC</b> =Job Pack, in carton	<b>Accessories (order separately) <sup>(30)</sup></b> <b>OHB-WG112</b> =Wire guard for 9SE, 12SE and 15SE <b>OHB-WG162</b> =Wire guard for 9HE, 12HE, 15HE, 18HE, 18SE, 24SE, and 30SE <b>OHB-WG222</b> =Wire guard for 24HE, 30HE, and 36SE <b>Y-TOGGLE</b> __-2PK=(2) Y-Toggle Cable Kits (Specify 10 or 30 for length in feet) <b>FH-1</b> =Fixture Hook <sup>(29)</sup> <b>FL-1</b> =Fixture Loop <sup>(29)</sup> <b>OHB-SPM</b> =Single Point Mounting Hub <sup>(28)</sup> <b>MPC3</b> =3' Modular Power Cord & Plug (Specify Voltage) <b>MPC6</b> =6' Modular Power Cord & Plug (Specify Voltage) <b>MC3</b> =3' Modular Power Cord <b>MC6</b> =6' Modular Power Cord
<b>FSP-211</b> <b>Notes</b> (17) When ordering sensor or EBP/TD option, specify as UNV (for 120V or 277V), 347V or 480V. (18) Requires use of MC or MPC cord accessories, specify voltage for plugs (MP). (19) High Ambient not available with integrated emergency. (20) HA not offered for 9HE, 9SE, 12HE, 12SE, 15HE, 24HE, 24SE, 30HE, and 36SE. (21) Available for UNV (for 120V or 277V) only. (22) Available for UNC (for 347V or 480V) only. (23) UNV and 347V only. (24) Sensor requires sidecar when specified in 36K lumen package. (25) Sensor option not available for 36K lumen package with 347V or 480V. (26) Sensor option not available for 36K lumen package with 480V. (27) WaveLinx Lite devices are not currently compatible with the WaveLinx Pro Wireless Area Controller. (31) Configuration of basic and advanced features using the Leviton Smart Sensor App on any Bluetooth-enabled Android or iOS device.		<b>Notes</b> (28) Single Point Mounting not available with integrated emergency. (29) Must be used in conjunction with OHB-SPM accessory for proper installation. (30) Accessories sold separately will be separately analyzed under domestic preference requirements. Consult factory for further information.

## Product Specifications

### Construction

- Rugged and durable scalable design with rigid, steel center channel
- Mechanically attached end caps provide strength and durability
- Suspension mounting with optional wire hook and chain set or cable; Single monopoint mounting with SPM tong hanger

### Electrical

- Long-Life LED system coupled with electrical driver for optimal performance
- LED's available in 3000K, 3500K, 4000K and 5000K with 70 CRI, 80 CRI and 90 CRI options
- Electronic drivers are available for 120-277V, 347V and 480V applications
- 0-10V dimming control (standard)
- Operating temperature of -40°C to 55°C (refer to chart)

### Emergency Battery Pack Option

- 20-watt, 120-277V integral emergency battery pack available to meet critical life-safety lighting requirements
- 90-minute batteries provide constant power to the LED system, ensuring code-compliance
- Emergency/generator transfer options available (see ordering information for details)

### Optics

- Precision designed optics deliver even illumination
- Offered in narrow, medium and wide distributions

### Shielding

- Standard lensing provides additional LED protection and optical control
- Optional wire guards available for more complex environments

### Controls

- Integral occupancy sensor (SVPD3) option provides 600 sq. ft. to up to 1250 sq. ft. of coverage for occupancy sensing and daylight harvesting
- Integral 360° or 180° motion sensor
- Integrated Wavelinx Wireless Sensor option provides 1200 sq. ft. coverage
- WaveLinx wireless enabled (does not include sensor)

### Finish

- White enamel finish preceded by a multistage cleaning cycle
- Iron phosphate coating with rust inhibitor protects against contaminants and oxidation

### Compliance

- cULus listed for damp locations
- LED modules comply with IESNA LM-79 and LM-80 standards
- DesignLights Consortium® Qualified and classified for both DLC Standard and DLC Premium (refer to www.designlights.org for details)

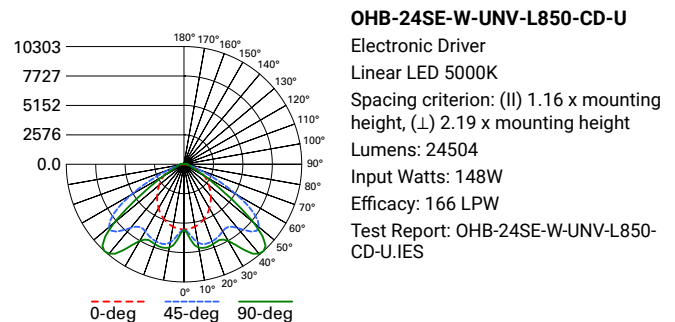
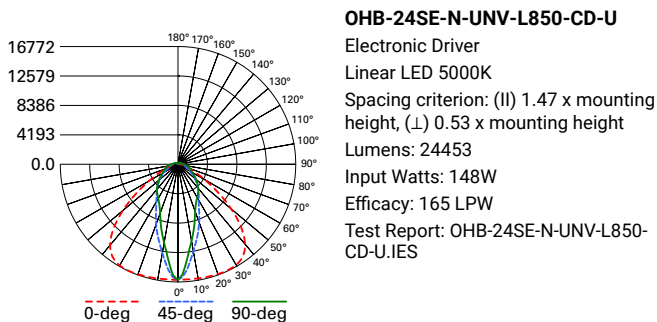
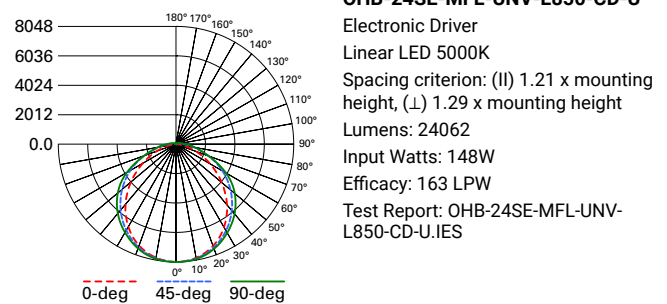
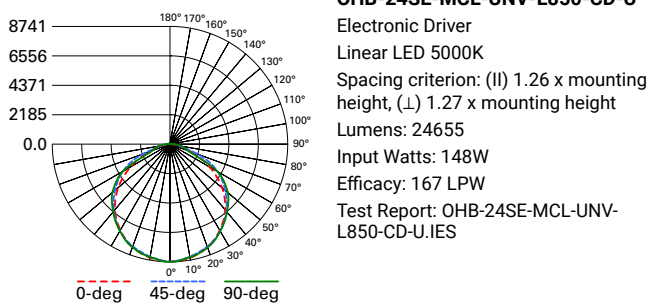
### Warranty

- Five year warranty standard.

**WaveLinx Lite devices are not currently compatible with the WaveLinx Pro Wireless Area Controller**

## Photometric Data

[View IES files](#)



## Energy and Performance Data by Catalog Number

OHB SE- 5000K 70CRI											
Catalog Number	Lumen Output					Watts	Efficacy (LPW)				
	N	MFL	MCL	W	NL	277V	N	MFL	MCL	W	NL
OHB-9SE	9179	9032	9255	9198	9179	54	170	167	171	170	170
OHB-12SE	13006	12798	13114	13033	13679	76	171	168	173	172	180
OHB-15SE	16115	15857	16248	16148	16948	97	167	164	168	167	175
OHB-18SE	19981	19661	20146	20022	21014	111	180	177	182	181	190
OHB-24SE	25797	25384	26010	25851	27130	148	174	172	176	175	183
OHB-30SE	32441	31922	32709	32509	34118	181	179	177	181	180	189
OHB-36SE	39153	38527	39477	39235	41178	226	173	170	174	173	182

OHB - SE 5000K 80CRI											
Catalog Number	Lumen Output					Watts	Efficacy (LPW)				
	N	MFL	MCL	W	NL	277V	N	MFL	MCL	W	NL
OHB-9SE	8801	8660	8873	8819	8801	54	163	160	164	163	163
OHB-12SE	12221	12025	12321	12246	12852	76	161	158	162	161	169
OHB-15SE	15141	14899	15266	15173	15924	97	156	154	158	157	165
OHB-18SE	18940	18637	19096	18979	19919	111	171	168	172	171	180
OHB-24SE	24453	24062	24655	24504	25717	148	165	163	167	166	174
OHB-30SE	30482	29994	30733	30545	32057	181	169	166	170	169	177
OHB-36SE	36788	36200	37092	36865	38690	226	163	160	164	163	171

OHB - HE 5000K 70CRI											
Catalog Number	Lumen Output					Watts	Efficacy (LPW)				
	N	MFL	MCL	W	NL	277V	N	MFL	MCL	W	NL
OHB-9HE	9877	9719	9959	9898	10388	52	189	186	190	189	199
OHB-12HE	12871	12665	12977	12898	13536	70	183	180	185	184	193
OHB-15HE	16172	15913	16306	16206	17008	88	185	182	186	185	194
OHB-18HE	19421	19110	19581	19461	20425	105	184	182	186	185	194
OHB-24HE	25535	25127	25746	25588	26855	130	196	193	197	196	206
OHB-30HE	32016	31504	32281	32083	33671	169	190	187	192	190	200

OHB - HE 5000K 80CRI											
Catalog Number	Lumen Output					Watts	Efficacy (LPW)				
	N	MFL	MCL	W	NL	277V	N	MFL	MCL	W	NL
OHB-9HE	9280	9132	9357	9300	9760	52	177	175	179	178	187
OHB-12HE	12093	11900	12193	12119	12719	70	172	169	173	172	181
OHB-15HE	15981	14952	15321	15227	15981	88	174	171	175	174	183
OHB-18HE	18248	17956	18399	18286	19191	105	173	171	175	174	182
OHB-24HE	23993	23609	24191	24043	25233	130	184	181	186	184	194
OHB-30HE	30082	29601	30331	30145	31637	169	179	176	180	179	188

## Energy and Performance Data by Catalog Number

### Ambient Ratings

Lumen Package	Standard	(HA) High Ambient	EM
OHB-9SE	65°C	–	45°C
OHB-9HE	65°C	–	45°C
OHB-12SE	55°C	–	45°C
OHB-12HE	55°C	–	45°C
OHB-15SE	45°C	55°C	45°C
OHB-15HE	55°C	–	45°C
OHB-18SE	45°C	55°C	45°C
OHB-18HE	45°C	55°C	45°C
OHB-24SE	55°C	–	45°C
OHB-24HE	55°C	–	45°C
OHB-30SE	45°C	50°C	45°C
OHB-30HE	55°C	–	45°C
OHB-36SE	50°C	–	45°C

### Energy Data

Input Watts:
9SE (9,000 lumens)=54W
9HE (9,000 lumens)=52W
12SE (12,000 lumens)=76W
12HE (12,000 lumens)=70W
15SE (15,000 lumens)=97W
15HE (15,000 lumens)=88W
18SE (18,000 lumens)=111W
18HE (18,000 lumens)=105W
24SE (24,000 lumens)=148W
24HE (24,000 lumens)=130W
36SE (30,000 lumens)=181W
30HE (30,000 lumens)=169W
36SE (36,000 lumens)=226W

### Shipping Data

Catalog No.	Wt.
OHB-9SE	10 lbs.
OHB-9HE	13 lbs.
OHB-12SE	10 lbs.
OHB-12HE	10 lbs.
OHB-15SE	13 lbs.
OHB-15HE	13 lbs.
OHB-18SE	13 lbs.
OHB-18HE	13 lbs.
OHB-24SE	13 lbs.
OHB-24HE	13 lbs.
OHB-30SE	16 lbs.
OHB-30HE	16 lbs.
OHB-36SE	20 lbs.

### Modular Power Supply Option

Modular Power Supply option is available for use with all F-Bay products. The modular power supply allows external fixture access for safe and easy servicing. There is no need to remove lamps or reflectors to disconnect fixture power with Modular Power Supply. Access to the individual fixture's power supply allows servicing without turning off all the fixtures, disrupting occupants. F-Bay Modular Power Supply is a time saver in installation – **simply plug & power.**



1. Modular Power Supply Receptacle supplied mounted into fixture Access Plate.
2. Modular Power Cord & Plugs in 120, 277, 347, & 480V configurations for easy plug & power into existing supply.

No internal fixture access required for installation or disconnecting power.

### Lumen Maintenance

Ambient Temperature	TM-21 Lumen Maintenance (60,000 hours)	Theoretical L70 (Hours)
25°C	> 93%	> 369,000

### Code Compliance

- UL/cUL Certified for Make/Break under load (UL2549)
- Meets NEC requirements for ballast disconnect (NEC 410.73G)
- Receptacle complete with insulating/dust cap

**Control Systems**

- WaveLinx Wireless
- WaveLinx Wired
- WaveLinx Lite
- DLVP
- iLumin Plus



Connected Systems  
[CLICK HERE](#)

**Systems comparison chart**

Cooper Lighting Solutions provides many lighting system solutions designed to satisfy code requirements and meet the unique needs of any project.



**Luminaire with standalone sensor**



**Standalone Spaces WaveLinx Lite**



**Networked Spaces WaveLinx Pro**



**Enterprise Trellix**

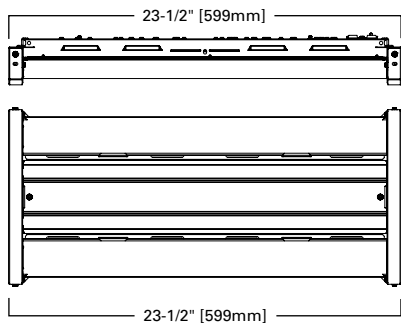
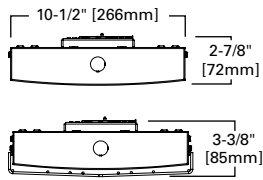
	Luminaire with standalone sensor	Standalone Spaces WaveLinx Lite	Networked Spaces WaveLinx Pro	Enterprise Trellix
<b>Occupancy</b>	Yes	Yes	Yes	Yes
<b>Daylighting</b>	Yes	Yes	Yes	Yes
<b>Wallstations</b>	-	Yes	Yes	Yes
<b>Gateways</b>	-	-	1 WAC	300 WACs
<b>Devices (MAX)</b>	-	50 per Area (1400 per site)	200 per WAC2	32,500 per Core Enterprise
<b>Software</b>	-	WaveLinx Lite Mobile App	WaveLinx Pro Mobile App	Trellix Core
<b>Areas</b>	-	28 per Site	50 per WAC2	up to 3,000
<b>Zones</b>	-	16 per Area	16 per Area	up to 9,000
<b>Scheduling</b>	-	-	Local	Global
<b>VividTune™</b>	-	-	Yes	Yes
<b>Plug-Load Control</b>	-	-	Yes	Yes
<b>Low-Voltage Power</b>	-	-	Yes	Yes
<b>Integration</b>	-	-	-	BACnet, API
<b>Dashboards</b>	-	-	-	Energy, Occupancy
<b>Configuration</b>	-	Installer	Technician	Technician / IT

**SCALABILITY**

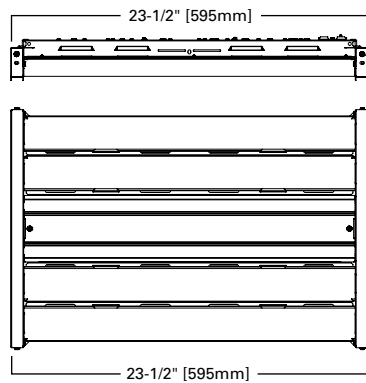
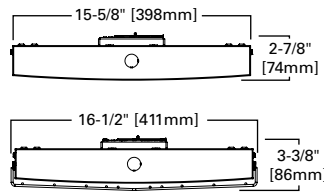


## Dimensional and Mounting Details

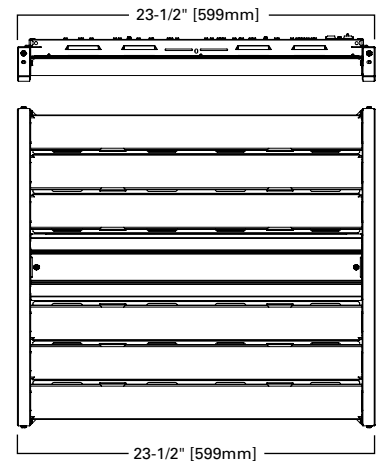
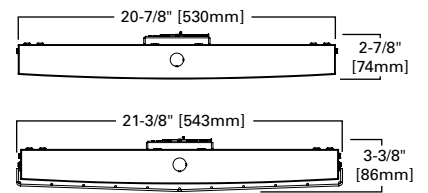
OHB-9SE, 12SE, 15SE



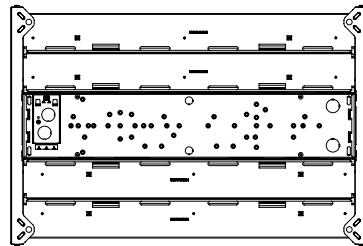
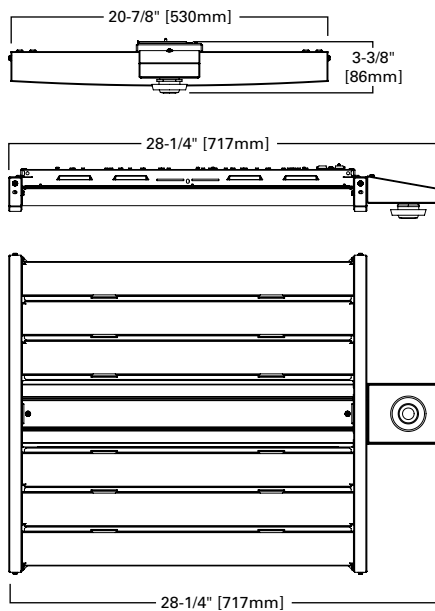
OHB-9HE, 12HE, 15HE, 18HE, 18SE, 24SE, 30SE



OHB-24HE, 30HE, 36SE



OHB 36SE with Sidecar



OHB with EB



**DESCRIPTION**

MWS, Modular Wiring Systems, provides low cost installation of branch circuit wiring for lighting and power. Using modular components that plug together, MWS can be installed in a fraction of the time of hardwiring. Plus, MWS offers the advantage of relocating fixtures and outlets in future renovations.

The MWS Drop SO Cords (DS) are used to feed Industrial LED, HID and fluorescent lighting fixtures from a Circuit T (CT) that provides circuit selection.

Fixtures wired with MWS Drop SO Cords can be unplugged under load and relocated without interrupting power to fixtures downstream.

<b>Catalog #</b>		<b>Type</b>
<b>Project</b>		
<b>Comments</b>		<b>Date</b>
<b>Prepared by</b>		

**DESIGN FEATURES**

- UL Listed under Standard 183 for make or break under load.
- Meets requirements of Article 604 of the National Electrical Code.
- Galvanized steel exterior with integral keying for voltage and amperage.
- 16AWG SO cord rated at 13 amps.
- Pre-stripped leads for easy termination at fixture.
- Valox 365 constructed contact housings are approved for environmental air plenums.
- Unique double-blade contact ensures proper mating of electrical components to prevent pushback or pullout.
- Rated for single fixture feeds only.

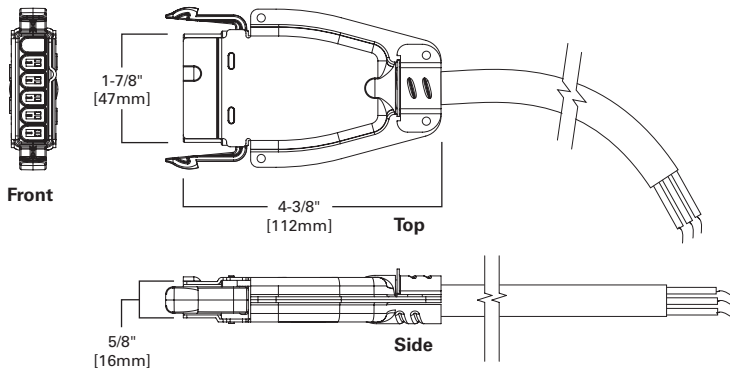


**DS**

**DROP SO CORD**

Modular Wiring System

**DIMENSIONAL DATA**



**MWS AUTOCAD DRAFTING**

MWS offers AutoCAD drafting to layout MWS, providing the contractor with additional benefits.

MWS design layout time is reduced.

Bills of material are computer-generated guaranteeing accuracy.

MWS drawing symbols and details standardized.

Layouts are available on CD or e-mail.

To utilize this service and for additional information, contact the MWS Sales Department (888) 487-4887.

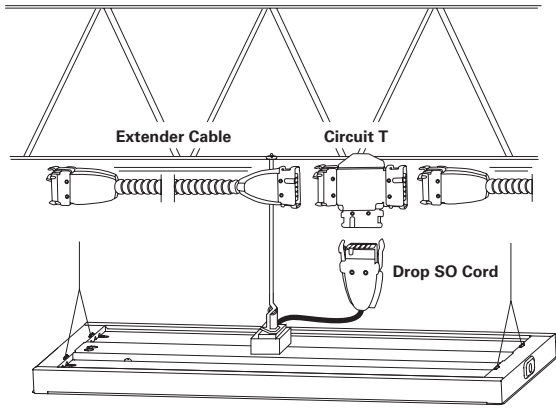
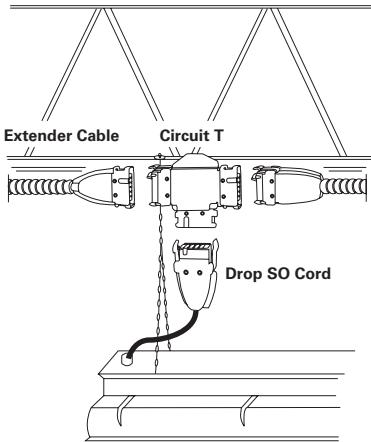
All electrical boxes, conduit, connections and switches by others.

Install dust covers on unused open ends.

Scale is exaggerated on fixtures and MWS system applications.



SYSTEM VIEW (not to scale)



**Drop SO Cord (DS)**

Feeds power to fixture without interrupting circuit. Provided with 16 gauge SO Cord. For use with LED, HID and industrial fluorescents.

Typical MWS Wiring System Application shown utilizing **Drop SO Cord (DS)**.

Consult MWS Installation, Application and Specification Manual for additional comprehensive system information.

**ORDERING INFORMATION**

SAMPLE NUMBER: 27DS16/2G03

DS				
<b>Voltage</b> 12=120V 20=208V 24=240V 27=277V 34=347V 48=480V	<b>Component</b> DS=Drop SO Cord	<b>Conductors and Size</b> 16/2G=2 Conductor and Ground 16/4G=4 Conductor and Ground	<b>Cable Length (Feet)</b> 03=3' 06=6' 11=11' 15=15' 21=21'	<b>Options</b> 2N=2 Neutral <sup>(1)</sup>

NOTES: <sup>(1)</sup> 16/4G only.  
 Specifications & dimensions subject to change without notice. Consult your Cooper Lighting Representative for availability and ordering information.

**SHIPPING DATA**

Cord Length	Unit Wt.	Standard Qty./Carton
3'	1.1 lbs.	N/A
6'	1.7 lbs.	N/A
11'	3.5 lbs.	N/A
15'	4.5 lbs.	N/A
21'	6.3 lbs.	N/A