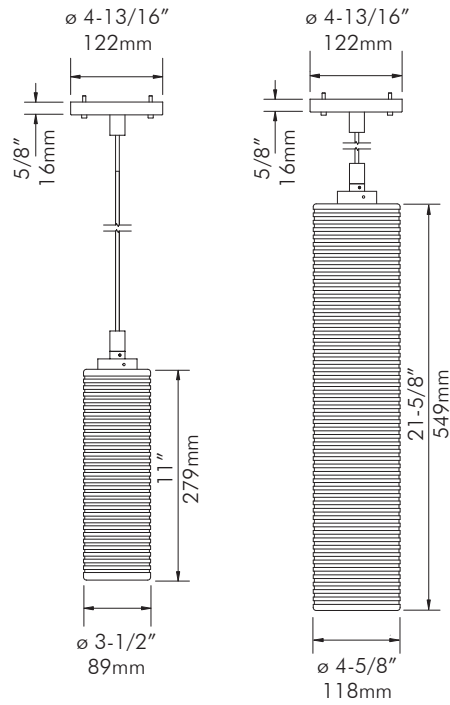


G21 PENDANT

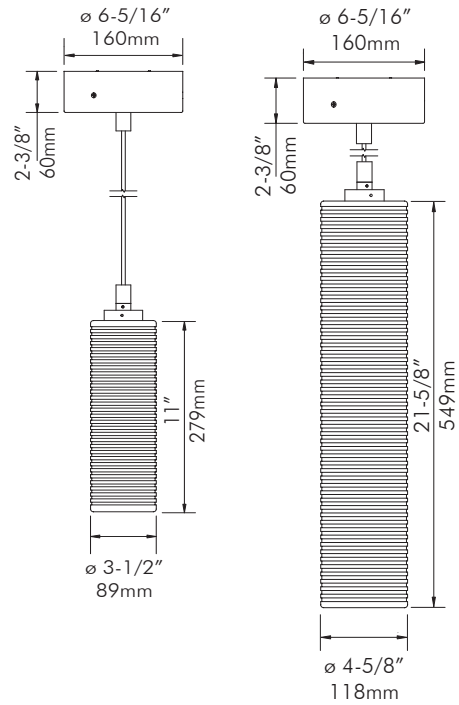
SPEC SHEET




INCANDESCENT



FLUORESCENT



- GLASS:** Ceramic cylinder with stripe pattern.
- CONFIGURATION:** Field adjustable 6' clear Ø1/4" (6mm) cord, longer lengths available. (remote fluorescent ballast mounting distance <20' from lamp)
- LAMPING:** Incandescent, 120V up to 100W medium base A19 lamp or 60W medium base T10 lamp. Fluorescent, 3000K 18W PL-L and 36W PL-L lamp, 2G11 lamp base.
- MOUNTING:** Incandescent, Ø 4-13/16 x 5/8 h (Ø 122mm x 16mm h) canopy which mounts to 4" (102mm) J-box. Fluorescent, 120V, 277V and 347V integral electronic ballast and Ø 6-5/16 x 2-3/8 h (Ø 160mm x 60mm h) round surface mount canopy.
- APPROVAL:** Approved to UL standards by CSA. 

ORDERING CODE

| FIXTURE | LAMP/SOCKET | VOLTAGE | SIZE | CONFIGURATION | METAL FINISH | MOUNTING |
|--|--|--|--|---|--------------|----------|
| G21 | A60 | 120 | S | SC | MCH | P |
| A100 ¹ = 100W A19 T10 ² = 60W A19 F18 ³ = 18W 2G11 F36 ⁴ = 36W 2G11 | 120 = 120V 277 = 277V (F only) 347 = 347V (F only) | S = 11"H (279mm) L = 21-5/8"H (549mm) | SC = SILVER CORD BC = BLACK CORD RS = RIGID STEM | MCH = MATTE CHROME BN = BRUSHED NICKEL BK = BLACK(custom) | P = PENDANT | |

^{1,2} For Incandescent
^{3,4} For Fluorescent