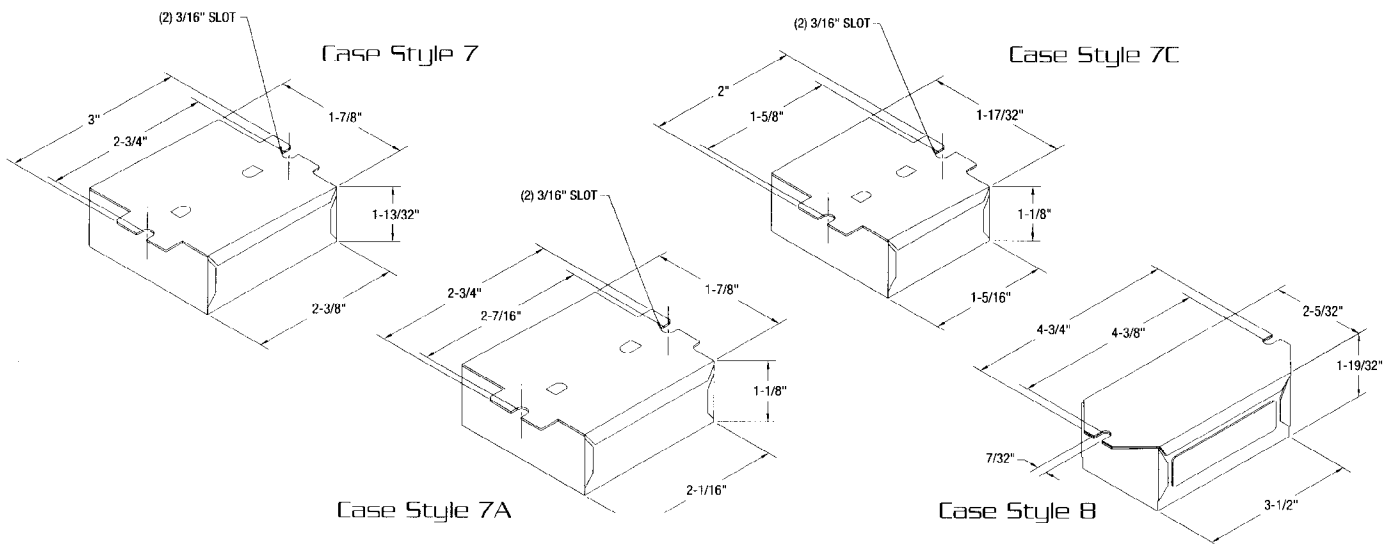


COMPACT FLUORESCENT

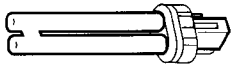
MAGNETIC [PRE-HEAT]

[ENCASED & POTTED]

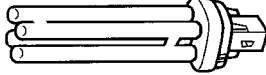
INPUT										
Lamp Watts	Lamp Config.	NEMA Lamp Type	No. of Lamps	Model Number	Input Voltage	Hz	Line Current (Amps)	Nominal Input Current	Max Input Current	Total Input Watts
7/9	Twin Tube Quad Tube	CFT7W/G23 CFT9W/G23 CFQ9W/G23	1	SC8B1P	120V	60	.18	.18/.16	.25	12/12
	Twin Tube Quad Tube	CFT7W/G23 CFT9W/G23 CFQ9W/G23	1	SC8B1RC	120V	60	.18	.18/.16	.25	12/12
	Twin Tube Quad Tube	CFT7W/G23 CFT9W/G23 CFQ9W/G23	1	S68RC	120V	60	.18	.18/.16	.25	11/11
	Twin Tube Quad Tube	CFT7W/G23 CFT9W/G23 CFQ9W/G23	1	S7926P	220V	60	.18	.18/.16	.25	12/12
	Twin Tube Quad Tube	CFT7W/G23 CFT9W/G23 CFQ9W/G23	1	S7945P	240V	50	.18	.18/.16	.25	12/12
	Twin Tube Quad Tube	CFT7W/G23 CFT9W/G23 CFQ9W/G23	1	HP7945P	240V	50	.08	.08	.20	11/11
	Twin Tube Quad Tube	CFT7W/G23 CFT9W/G23 CFQ9W/G23	1	S7946P	240V	60	.18	.18/.16	.25	12/12
	Twin Tube Quad Tube	CFT7W/G23 CFT9W/G23 CFQ9W/G23	1	HP7927P	277V	60	.07	.07	.20	11/11
	Twin Tube Quad Tube	CFT7W/G23 CFT9W/G23 CFQ9W/G23	1	HP7927PB1	277V	60	.07	.07	.20	11/11
	Twin Tube Quad Tube	CFT7W/G23 CFT9W/G23 CFQ9W/G23	1	HP7927RC	277V	60	.07	.07	.20	11/11



2-Pin Twin Tube Lamps

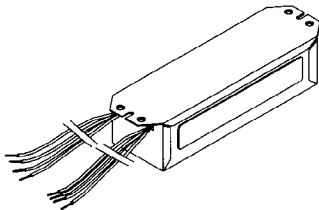


2-Pin Quad Tube Lamps

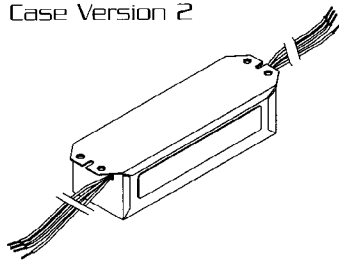


ELECTRICAL					MECHANICAL						
Model Number	Power Factor	THD %	Ballast Factor	Min. Start Temp.	Case Style	Case Color	Case Version	Wiring Diagram	Unit Weight	Units Per Carton	Approvals
SC8B1P	N	<15%	.95/.90	-18°C (0°F) -4°C (25°F)	7C	WHITE	V1	101	0.3 lbs.	144	UL C
SC8B1RC	N	<15%	.95/.90	-18°C (0°F) -4°C (25°F)	7C	WHITE	V1	101	0.3 lbs.	108	FU C
S68RC	N	<15%	1.0/.90	0°C (32°F)	7A	WHITE	V1,3,4,6	101	0.5 lbs.	72	FU C
S7926P	N	<15%	1.0/.90	-18°C (0°F)	7	WHITE	V1	101	0.9 lbs.	60	\
S7945P	N	<15%	1.0/.90	-18°C (0°F)	7	WHITE	V1	101	0.9 lbs.	60	\
HP7945P	H	<30%	1.0/.90	0°C (32°F)	8	BLACK	V2, 4	102	1.6 lbs.	24	\
S7946P	N	<15%	1.0/.90	-18°C (0°F) -4°C (25°F)	7	WHITE	V1	101	0.9 lbs.	60	\
HP7927P	H	<30%	1.0/.90	-18°C (0°F)	8	BLACK	V1, 2, 3, 4, 6	102	1.3 lbs.	24	UL
HP7927PB1	H	<30%	1.0/.90	-18°C (0°F)	8	BLACK	V3	102	1.3 lbs.	24	UL
HP7927RC	H	<30%	1.0/.90	-18°C (0°F)	8	BLACK	V1, 2, 3, 4	102	1.3 lbs.	24	FU

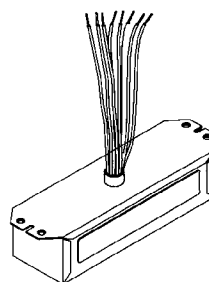
Case Version 1



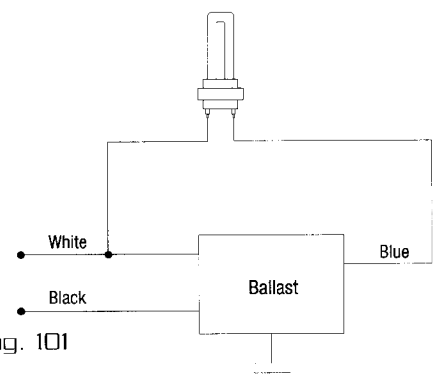
Case Version 2



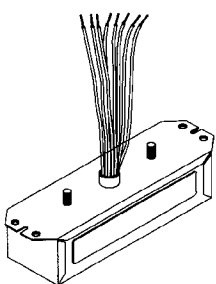
Case Version 3



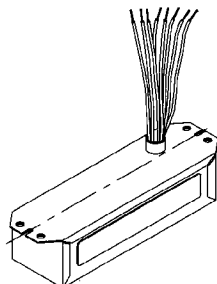
Wiring Diag. 102



Case Version 4



Case Version 6



Wiring Diag. 101

