

LR384030V1850WH

# Solais Lighting | LR38 LED Lamp

## Solais LED PAR38 Lamp Replacement

**Product Description:** The Solais active LED PAR38 lamp replacement has the high light output, light weight and full dimming capabilities of halogen incandescent sources – resulting in a high-performance product perfect for commercial, museum, retail and hospitality applications.

**ViOLight™:** Solais developed ViOLight™ for its retail clients demanding better vibrance to colors in their environments. This technology strengthens retailers' products with enhanced color.

**Performance Summary:** Fully dimmable | Halogen PAR form factor (ANSI compliant) | Lightest LED lamps on the market | Certified to UL Standard 1993 | RoHS-compliant | Contain no lead or mercury | Dry location rating

**Application:** Designed for use in track and recessed fixtures  
Fixtures up to 21 watts can be used in IC rated housings

**Voltage:** 120v Standard

**CCT:** 2700K, 3000K, 3500K\*, 4000K\*

**Dimmable:** Yes - Visit [solais.com/dimming.php](http://solais.com/dimming.php) for compatibility list

**Life:** 50,000 Hours (L70)

**Base Type:** E26, GU24\*

**Weight (oz.):** 9.4



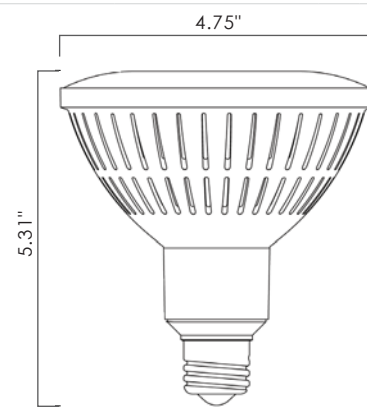
Product Code	Power (Watts)	Beam Angle	CCT (K)	Lumen Output	CBCP (cd)	CRI	ENERGY STAR®
LR38/15/30K/2400/__	28	15°	3000	2400	19650	83	
LR38/25/30K/2400/__	28	25°	3000	2400	12350	83	
LR38/40/30K/2400/__	28	40°	3000	2400	4800	83	
LR38/15/27K/2300/__	28	15°	2700	2300	18825	83	
LR38/25/27K/2300/__	28	25°	2700	2300	11725	83	
LR38/40/27K/2300/__	28	40°	2700	2300	4600	83	
LR38/15/30v/1850/__	22	15°	3000	≈1850	15140	85	
LR38/25/30v/1850/__	22	25°	3000	≈1850	9420	85	
<b>LR38/40/30v/1850/WH</b>	22	40°	3000	≈1850	3700	85	

NOTE: Fixtures ≥22 watts must have ½" clearance.

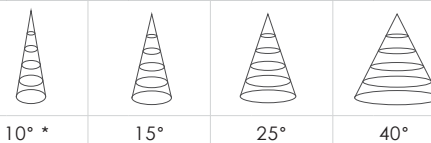
Product Code	Power (Watts)	Beam Angle	CCT (K)	Lumen Output	CBCP (cd)	CRI	ENERGY STAR®
LR38/15/30K/1600/__	21	15°	3000	1600	13100	83	
LR38/25/30K/1600/__	21	25°	3000	1600	8150	83	
LR38/40/30K/1600/__	21	40°	3000	1600	3200	83	
LR38/15/27K/1600/__	21	15°	2700	1600	13100	83	
LR38/25/27K/1600/__	21	25°	2700	1600	8150	83	
LR38/40/27K/1600/__	21	40°	2700	1600	3200	83	
LR38/15/30K/1450/__	20	15°	3000	1450	11875	83	
LR38/25/30K/1450/__	20	25°	3000	1450	7400	83	
LR38/40/30K/1450/__	20	40°	3000	1450	2900	83	
LR38/15/27K/1450/__	20	15°	2700	1450	11875	85	
LR38/25/27K/1450/__	20	25°	2700	1450	7400	85	
LR38/40/27K/1450/__	20	40°	2700	1450	2900	85	
LR38/10/30K/1250/__*	17	10°	3000	1250	25875	83	
LR38/15/30K/1250/__	17	15°	3000	1250	10250	83	
LR38/25/30K/1250/__	17	25°	3000	1250	6375	83	
LR38/40/30K/1250/__	17	40°	3000	1250	2500	83	
LR38/10/27K/1250/__*	17	10°	2700	1250	25875	85	
LR38/15/27K/1250/__	17	15°	2700	1250	10250	85	
LR38/25/27K/1250/__	17	25°	2700	1250	6375	85	
LR38/40/27K/1250/__	17	40°	2700	1250	2500	85	

Housing Color: White (WH), Silver (SL)\*, and Black (BK)\*

## Lamp Images

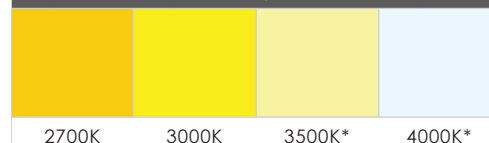


## Beam Angles



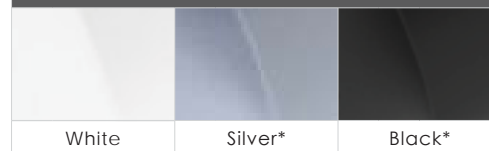
10° \*    15°    25°    40°

## Color Temperature



2700K    3000K    3500K\*    4000K\*

## Housing Colors



White    Silver\*    Black\*

## \* Special Order

**Note:** ViOLight products will produce up to 20% less measured lumens than their standard CCT equivalent; Although, perceived lumens will be noticeably higher.

# Solais Lighting | LR38 LED Lamp

Ordering Information

Example LR38/25/30K/1250/WH

LR38	/	/	/	/
Form Factor (PAR38) LR38	Beam Spread 10*	CCT / Lumens		Housing Color WH - White SL - Silver* BK - Black*
		27K / 1250		
		30K / 1250		
		35K* / 1250		
		40K* / 1250		
	15	27K / 1250		
	25	30K / 1250		
	40	35K* / 1250		
		40K* / 1250		
		27K / 1450		
		30K / 1450		
		35K* / 1450		
		40K* / 1450		
		30v / 1850		
		27K / 1600		
		30K / 1600		
		35K* / 1600		
		40K* / 1600		
		27K / 2300		
		30K / 2400		
		35K* / 2400		
		40K* / 2400		



Luxiance utilizes active cooling to remove heat from the LED system - allowing Solais LED lamps to operate cooler, resulting in superior life, light output, and performance.



Thermal Throttle - In the event that Solais LEDs become overheated, they will dim themselves to protect your technology investments.



VioliLight technology radiates superior color quality, enhancing colors in merchandise, making them more vibrant and offering a truly competitive LED replacement for the CMH-like crispness of white colors.

**LIMITED WARRANTY:** Solais Lighting warrants that our lamps and fixtures will operate for a period of five (5) years from the date of purchase or 25,000 hours, whichever comes first, when used in accordance with package and lamp directions. If your Solais product does not last for the warranty period, please send your name and address, the product you are returning, register receipts and proof of purchase to the address listed on our website. This limited warranty does not cover products subject to misuse, electrical current fluctuation, accident, neglect, or acts of God. THIS REPLACEMENT OR REPAIR IS THE SOLE WARRANTY OBLIGATION OF SOLAIS AND IS IN LIEU OF ALL OTHER WARRANTIES, EXPRESS OR IMPLIED, INCLUDING ANY WARRANTY OF MERCHANTABILITY OR FITNESS FOR A PARTICULAR PURPOSE. LIABILITY FOR INCIDENTAL AND CONSEQUENTIAL DAMAGES EXCLUDED.

For complete warranty terms and conditions, please see: [www.solais.com/warranty](http://www.solais.com/warranty)

**WARNING:** Not for use in fully enclosed luminaires. Risk of electric shock. Use in an indoor, dry location only. This device is not intended for use with emergency exit fixtures or emergency exit lights. May not be compatible with all dimmers; please visit [solais.com/dimming](http://solais.com/dimming) for up-to-date dimmer compatibility information.

**NOTES:** This device complies with Part 15 of the FCC Rule. This product may cause interference with other devices. If interference occurs, change the locations of the products involved. Compatible on 120v and 277v systems.