

Xd20

XD201530H1100WHLTS



LOW-MID OUTPUT | 2.5-IN TRACKHEAD FIXTURE

PROJECT _____

TYPE _____

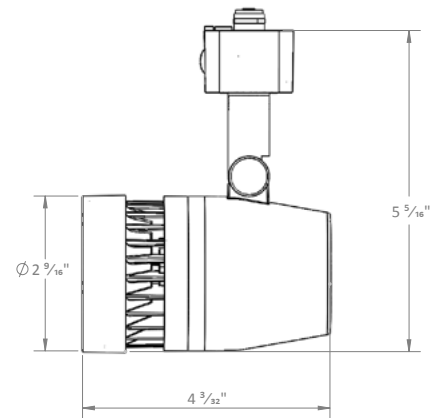
- / 120 V Standard; *277 V option available for ETL fixture
- / 50,000 Hours (L70)
- / Integrated driver
- / UL Certified
- / RoHS-compliant
- / Dry location rating
- / Contains no lead or mercury
- / Power on/off switch on adapters for J- and G-type
- / Fully dimmable; Compatability list available.

- / Designed for use with surface, pendant or trough mount
- / J-type, L-type, H-type, G-type*, Gx-type* (3-circuit), G2* (277v, 2-circuit)

- / VioLight color rendering enhancements available
- / * 90+ High CRI available for 27K and 30K. Consult factory for availability in other color temperatures. To order, replace 'K' in CCT designation with 'h' in code below



Weight: 9.6 oz.



Ordering Information

Example: Xd20/25m/30K/1450/WH/J/HL

Fixture	Beam Spread	CCT / Lumens	Housing Color	Track Type	Options + Accessories
Xd20	Single-optic	27K / 850	WH - White SV - Silver BK - Black	J	277 V*
	15	30K / 900		L	TS - Tapered Snoot
	25	35K* / 900		H	HL - Honeycomb Louver
	40	40K* / 900		G*	SL - Linear Spread
				Gx*	SP - Prismatic Spread
				G2* - 277 V	SS - Solite Spread
					More Accessories Available
		27K / 1050			
		30K / 1100			
		35K* / 1100			
		40K* / 1100			
		27K / 1200			
		30K / 1250			
		35K* / 1250			
		40K* / 1250			
Multi-optic	27K / 1400				
15m	30v / 1450				
25m	30K / 1450				
40m	35K* / 1450				
	40K* / 1450				

*Consult factory for lead time and availability

Note: VioLight and High CRI products will produce up to 20% less measured lumens than their standard CCT equivalent; Although, VioLight product perceived lumens will be noticeably higher than their standard counterparts.

Xd20

LOW-MID OUTPUT | 2.5-IN TRACKHEAD FIXTURE



PROJECT _____

TYPE _____

Module	Module Code			Power (Watts)	CBCP (cd)	Standard CRI
	Beam Angle	CCT	Delivered Lumens			
Xd20	15	27K	850	13	6269	83
	25				3947	
	40				1363	
	15	30K	900	15	6684	83
	25				3508	
	40				1521	
	15	27K	1050	15	7744	83
	25				4876	
	40				1683	
	15	30K	1100	17	7964	83
	25				5698	
	40				1851	
	15	27K	1200	17	8850	83
	25				5573	
	40				1924	
	15	30K	1250	17	9219	83
	25				5805	
	40				2004	
	15m	27K	1400	17	14788	83
	25m				5548	
40m	2435					
15m	30v	≈1450	17	12967	83	
25m				4983		
40m				2089		
15m	30K	1450	17	15245	83	
25m				5720		
40m				2510		

CANDELA DISTRIBUTION							
15° Spot		25° Narrow Beam		40° Flood			
1450 LUMENS	Degree	Candella	Degree	Candella	Degree	Candella	
	0°	15244	0°	5720	0°	2510	
	5°	12315	5°	5185	5°	2428	
	15°	1554	15°	2348	15°	1744	
	25°	255	25°	499	25°	853	
	35°	112	35°	125	35°	270	
	45°	49	45°	48	45°	77	
	1250 LUMENS	0°	9220	0°	5805	0°	2004
		5°	8381	5°	5427	5°	1897
		15°	1350	15°	1974	15°	1500
25°		368	25°	405	25°	713	
35°		94	35°	126	35°	267	
45°		40	45°	36	45°	89	

APPLICATION DATA												
D	Diameter					L	Length (50% of Max FC)					
DF	Distance to Floor					W	Width (50% of Max FC)					
FC	Illuminance (Foot Candles)					CB	Distance to Center of Beam					
1450 LUMENS MULTI-OPTIC												
0° AIMING ANGLE HORIZONTAL FOOTCANDLES												
	15° Spot			25° Narrow Beam			40° Flood					
DF	D	FC	D	FC	D	FC	D	FC	D	FC	D	FC
6'	1.58	423	2.66	159	4.36	70						
9'	2.36	188	4	71	6.56	31						
12'	3.16	106	5.32	40	8.74	17						
15'	3.94	68	6.66	25	10.92	11						
18'	4.74	47	7.98	18	13.1	8						
30° AIMING ANGLE HORIZONTAL FOOTCANDLES												
	15° Spot			25° Narrow Beam			40° Flood					
DF	FC	L	W	CB	FC	L	W	CB	FC	L	W	CB
6'	317	2.11	1.82	6.93	119	3.61	3.08	6.93	52	6.09	5.04	6.93
9'	141	3.18	2.74	10.4	53	5.41	4.62	10.4	23	9.11	7.58	10.4
12'	79	4.24	3.66	13.9	30	7.22	6.16	13.9	13	12.18	10.12	13.9
15'	51	5.29	4.56	17.3	19	8.97	7.68	17.3	8	15.26	12.6	17.3
18'	35	6.34	5.48	20.8	13	10.82	9.22	20.8	6	18.33	15.14	20.8
Multipliers 1400 lumens: 0.97												
1250 LUMENS MULTI-OPTIC												
0° AIMING ANGLE HORIZONTAL FOOTCANDLES												
	15° Spot			25° Narrow Beam			40° Flood					
DF	D	FC	D	FC	D	FC	D	FC	D	FC	D	FC
6'	1.58	256	2.66	161	4.36	56						
9'	2.36	114	4	72	6.56	25						
12'	3.16	64	5.32	40	8.74	14						
15'	3.94	41	6.66	26	10.92	9						
18'	4.74	28	7.98	18	13.1	6						
30° AIMING ANGLE HORIZONTAL FOOTCANDLES												
	15° Spot			25° Narrow Beam			40° Flood					
DF	FC	L	W	CB	FC	L	W	CB	FC	L	W	CB
6'	192	2.11	1.82	6.93	121	3.61	3.08	6.93	42	6.09	5.04	6.93
9'	85	3.18	2.74	10.4	54	5.41	4.62	10.4	19	9.11	7.58	10.4
12'	48	4.24	3.66	13.9	30	7.22	6.16	13.9	10	12.18	10.12	13.9
15'	31	5.29	4.56	17.3	19	8.97	7.68	17.3	7	15.26	12.6	17.3
18'	21	6.34	5.48	20.8	13	10.82	9.22	20.8	5	18.33	15.14	20.8
Multipliers 1200 lumens: 0.96 1100 lumens: 0.88 1050 lumens: 0.84 900 lumens: 0.72 850 lumens: 0.68												



Warranty



IES Files



Dimmers



Accessories

WARNING: Not for use in fully enclosed luminaires. Risk of electric shock. Use in an indoor, dry location only. This device is not intended for use with emergency exit fixtures or emergency exit lights. May not be compatible with all dimmers; please visit solais.com/dimming for up-to-date dimmer compatibility information.
NOTES: This device complies with Part 15 of the FCC Rule. This product may cause interference with other devices. If interference occurs, change the locations of the products involved. **Compatible on 120v systems.**