

# Xd20

XD2025C30K1100BKL

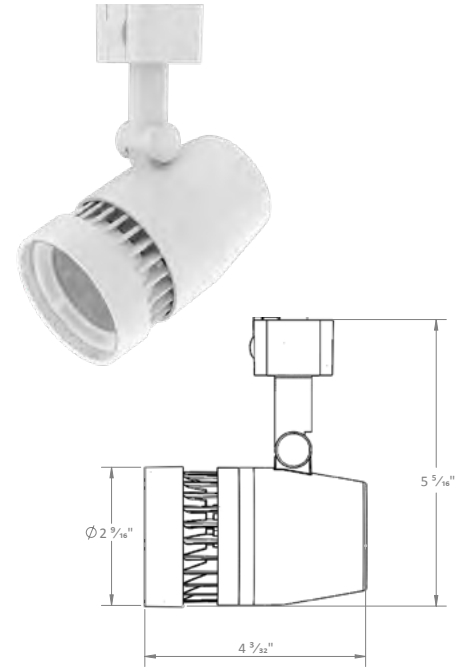
# SOLAIS®

## LOW-MID OUTPUT | 2.5-IN TRACKHEAD FIXTURE

PROJECT \_\_\_\_\_

TYPE \_\_\_\_\_

- / 120 V standard
- / 50,000 hours (L70)
- / Integrated driver
- / 360° rotation; 0-90° head tilt
- / UL certified
- / DesignLights Consortium® Certification (DLC); see chart on page 2
- / RoHs-compliant
- / Dry location rating
- / Contains no lead or mercury
- / Power on/off switch on adapters
- / Fully dimmable; compatibility list available
- / Designed for use with surface, pendant or trough mount
- / J-type, L-type, H-type, G-type\*, Gx-type\* (3-circuit)
- / VioLight and MonoWhite\* color rendering enhancements available
- / \* 90+ High CRI available for 27K and 30K. Consult factory for availability in other color temperatures. To order, replace 'K' in CCT designation with 'h' in code below



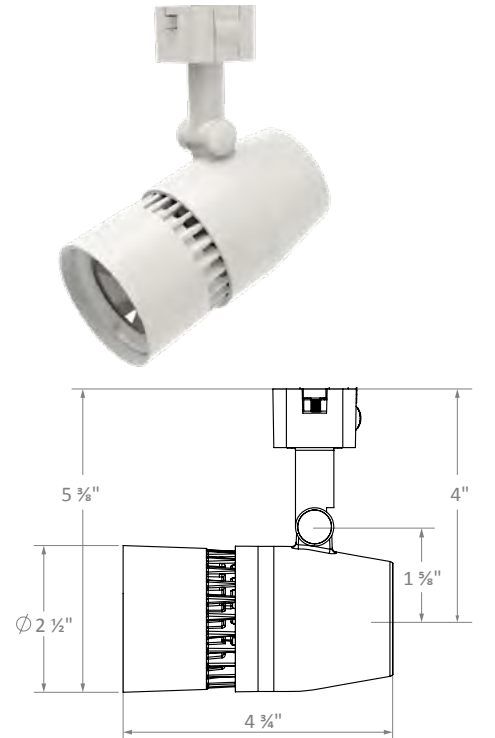
Multi- and Specialty-Optic



### Ordering Information

Example: Xd20/25m/30K/1450/WH/J/HL

Fixture	Beam Spread	CCT / Lumens	Housing Color	Track Type	Options + Accessories	
Xd20	COB-optic	25K* / 900	WH - White	J	TS - Tapered Snoot HL - Honeycomb Louver SL - Linear Spread SP - Prismatic Spread SS - Solite Spread More Accessories Available	
	15c	27K / 1050	SV - Silver	L		
	25c	30K / 1100	BK - Black	H		
	40c	30m*	30m* / 1100	PW* - Perfect White		G*
		35K*	35K* / 1100			Gx*
		35m*	35m* / 1100			
		40K*	40K* / 1100			
		25K*	25K* / 1300			
		27K	27K / 1400			
		30K	30K / 1500			
		30m*	30m* / 1500			
		35K*	35K* / 1500			
		35m*	35m* / 1500			
		40K*	40K* / 1500			
		25K*	25K* / 1800			
		27K	27K / 1900			
		30K	30K / 2000			
		30m*	30m* / 2000			
		35K*	35K* / 2000			
		35m*	35m* / 2000			
	40K*	40K* / 2000				
	Multi-optic	27K / 1400				
	15m	30K / 1450				
25m	30v / 1450					
40m	35K* / 1450					
	40K* / 1450					
Specialty	27K / 500					
08*	30K / 500					



COB-Optic

Weight: 9.6 oz.

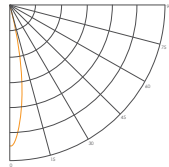
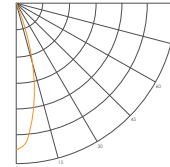
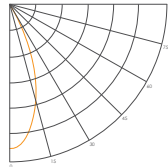
# Xd20

## LOW-MID OUTPUT | 2.5-IN TRACKHEAD FIXTURE

PROJECT \_\_\_\_\_

TYPE \_\_\_\_\_

Fixture	Fixture Code			Power (Watts)	CBCP (cd)	Standard CRI	DLC
	Beam Angle	CCT	Delivered Lumens				
XdpX	15c	25K*	1850	22	1440	83	
	25c				6325		
	40c				3330		
	15c	27K	1900		1470		
	25c				6460		
	40c				3400		
	15c	30K	2000		1530		
	25c				6730		
	40c				3545		
	15c	30m*	≈2000		1530	90	
	25c				6730		
	40c				3545		
	15c	25K*	1400	17	1075	83	
	25c				5975		
	40c				2500		
	15c	27K	1450		1100		
	25c				6100		
	40c				2555		
	15c	30K	1500		1145		
	25c				6355		
	40c				2660		
	15c	30m*	≈1500		1145	90	
	25c				6355		
	40c				2660		
	15c	25K*	1000	12	7650	83	✓
	25c				4195		✓
	40c				1775		✓
	15c	27K	1050		8000		✓
	25c				4430		✓
	40c				1850		✓
15c	30K	1100		8400		✓	
25c				4660		✓	
40c				1950		✓	
15c	30m*	≈1100		8400	90	✓	
25c				3700		✓	
40c				1950		✓	
15m	27K	1400	17	14788	83		
25m				5548			✓
40m				2435			
15m	30K	1450		15245		✓	
25m				5720		✓	
40m				2510		✓	
15m	30v	≈1450		12967			
25m				4983			
40m				2089			
08	27K	500	12	15959	75		
	30K						

CANDELA DISTRIBUTION						
15° Spot		25° Narrow Beam		40° Flood		
						
LUMENS	Degree	Candella	Degree	Candella	Degree	Candella
	1450 LUMENS	0°	15244	0°	5720	0°
5°		12315	5°	5185	5°	2428
15°		1554	15°	2348	15°	1744
25°		255	25°	499	25°	853
35°		112	35°	125	35°	270
	45°	49	45°	48	45°	77
2000 LUMENS	0°	15864	0°	8070	0°	4277
	5°	12923	5°	7091	5°	4102
	15°	2117	15°	2666	15°	2593
	25°	439	25°	687	25°	978
	35°	151	35°	251	35°	311
	45°	95	45°	114	45°	98
1500 LUMENS	0°	11898	0°	6053	0°	3208
	5°	9692	5°	5319	5°	3076
	15°	1588	15°	2000	15°	1945
	25°	330	25°	515	25°	733
	35°	113	35°	188	35°	233
	45°	71	45°	86	45°	74
1100 LUMENS	0°	8725	0°	4439	0°	2352
	5°	7108	5°	3900	5°	2256
	15°	11654	15°	1467	15°	1426
	25°	242	25°	378	25°	538
	35°	83	35°	138	35°	171
	45°	52	45°	63	45°	54



Warranty



IES Files



Dimmers



Accessories

\*Consult factory for lead time and availability  
 Note: VioLight, MonoWhite and High CRI products will produce up to 20% less measured lumens than their standard CCT equivalent; although, VioLight and MonoWhite product perceived lumens will be noticeably higher than their standard counterparts.

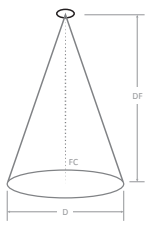
# Xd20

## LOW-MID OUTPUT | 2.5-IN TRACKHEAD FIXTURE

### APPLICATION DATA

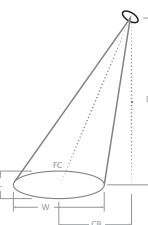
<b>D</b> Diameter	<b>L</b> Length (50% of Max FC)
<b>DF</b> Distance to Floor	<b>W</b> Width (50% of Max FC)
<b>FC</b> Illuminance (Foot Candles)	<b>CB</b> Distance to Center of Beam

#### 1450 LUMENS | MULTI-OPTIC



#### 0° AIMING ANGLE HORIZONTAL FOOTCANDLES

DF	15° Spot		25° Narrow Beam		40° Flood	
	D	FC	D	FC	D	FC
6'	1.58	423	2.66	159	4.36	70
9'	2.36	188	4	71	6.56	31
12'	3.16	106	5.32	40	8.74	17
15'	3.94	68	6.66	25	10.92	11
18'	4.74	47	7.98	18	13.1	8

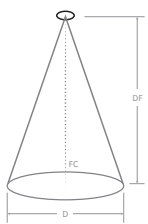


#### 30° AIMING ANGLE HORIZONTAL FOOTCANDLES

DF	15° Spot				25° Narrow Beam				40° Flood			
	FC	L	W	CB	FC	L	W	CB	FC	L	W	CB
6'	317	2.11	1.82	6.93	119	3.61	3.08	6.93	52	6.09	5.04	6.93
9'	141	3.18	2.74	10.4	53	5.41	4.62	10.4	23	9.11	7.58	10.4
12'	79	4.24	3.66	13.9	30	7.22	6.16	13.9	13	12.18	10.12	13.9
15'	51	5.29	4.56	17.3	19	8.97	7.68	17.3	8	15.26	12.6	17.3
18'	35	6.34	5.48	20.8	13	10.82	9.22	20.8	6	18.33	15.14	20.8

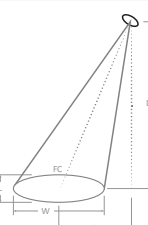
Multipliers | 1400 lumens: 0.97

#### 1100 LUMENS | COB-OPTIC



#### 0° AIMING ANGLE HORIZONTAL FOOTCANDLES

DF	15° Spot		25° Narrow Beam		40° Flood	
	D	FC	D	FC	D	FC
6'	1.58	233	2.66	129	4.36	54
9'	2.36	104	4	58	6.56	24
12'	3.16	58	5.32	32	8.74	14
15'	3.94	37	6.66	21	10.92	9
18'	4.74	26	7.98	14	13.1	6



#### 30° AIMING ANGLE HORIZONTAL FOOTCANDLES

DF	15° Spot				25° Narrow Beam				40° Flood			
	FC	L	W	CB	FC	L	W	CB	FC	L	W	CB
6'	175	2.11	1.82	6.93	97	3.61	3.08	6.93	41	6.09	5.04	6.93
9'	78	3.18	2.74	10.4	43	5.41	4.62	10.4	18	9.11	7.58	10.4
12'	43	4.24	3.66	13.9	24	7.22	6.16	13.9	10	12.18	10.12	13.9
15'	28	5.29	4.56	17.3	16	8.97	7.68	17.3	7	15.26	12.6	17.3
18'	19	6.34	5.48	20.8	11	10.82	9.22	20.8	5	18.33	15.14	20.8

Multipliers | 1050 lumens: 0.95 | 900 lumens: 0.82  
 1500 lumens: 1.36 | 1400 lumens: 1.27 | 1300 lumens: 1.18  
 2000 lumens: 1.81 | 1900 lumens: 1.72 | 1800 lumens: 1.63

**WARNING:** Not for use in fully enclosed luminaires. Risk of electric shock. Use in an indoor, dry location only. This device is not intended for use with emergency exit fixtures or emergency exit lights. May not be compatible with all dimmers; please visit [solais.com/dimming](http://solais.com/dimming) for up-to-date dimmer compatibility information.  
**NOTES:** This device complies with Part 15 of the FCC Rule. This product may cause interference with other devices. If interference occurs, change the locations of the products involved. **Compatible on 120v systems.**



Luxiance utilizes active cooling to remove heat from the LED system - allowing Solais LED lamps to operate cooler, resulting in superior life, light output, and performance.



X-Changeable is our all-in-one technology that incorporates the optics, LEDs, driver and power within a replaceable module. This allows you to change the lumen output, color temperature, beam angle and trim color with ease.



Thermal Throttle – In the event that Solais products begin to overheat, they will undetectably dim themselves to protect your technology investments.



ViOLight radiates superior quality, enhancing colors in merchandise, making colors more vibrant and offering a truly competitive LED replacement for CMH-like crispness.