

# XR4nc

## MID-HIGH OUTPUT | 4-INCH ROUND RECESSED DOWNLIGHT



PROJECT \_\_\_\_\_

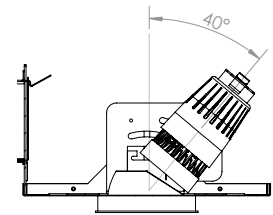
TYPE \_\_\_\_\_

- / Universal housing for all options; Fixed, adjustable and wall wash
- / Internally adjustable with dual locking; 360° rotation and 40° aiming
- / Field-replaceable LED module with integrated driver; No tools needed
- / 120 V Standard; \*277 V available
- / 50,000 Hours (L70)
- / UL Certified
- / RoHs-compliant
- / Contains no lead or mercury
- / Fully dimmable; Compatibility list available
- / Dry location rating
- / Designed for new construction ceiling installation
- / Non-IC Rated; Insulation must be kept 3" from sides and 1" above housing
- / VioLight and \*MonoWhite color rendering enhancements available
- / \* 90+ High CRI available for 27K and 30K. Consult factory for availability in other color temperatures. To order, replace 'K' in CCT designation with 'h' in code below



### TRIM w/ INTEGRAL FLANGE

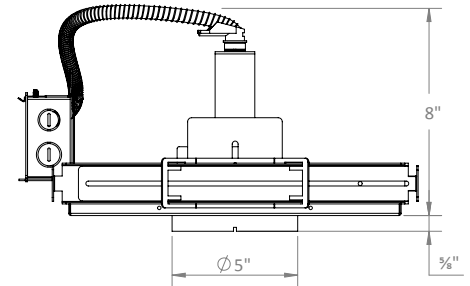
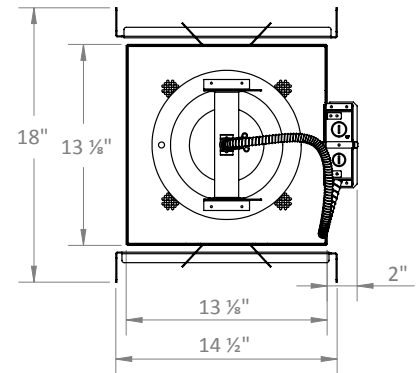
Fixture Height: 8"  
Max Ceiling Thickness:  
3/8" Standard; Other Options\*  
Ceiling Cut-Out: 5 1/8" Diameter  
Weight w/o module: 7.41 lb



### Ordering Information

Example: XR4nc/D/Xm24/25/30K/1850/BK/WH

| Fixture | Type   | Module | Beam Spread                    | CCT / Lumens  | Options + Accessories   |
|---------|--|--------|--------------------------------|---|---|
| XR4nc   | D - Downlight<br>A - Adjustable<br>P - Pinhole<br><i>(downlight only)</i><br>WW - Lensed Wall Wash | Xm24   | COB-optic<br>15c<br>25c<br>40c | 25K* / 1400<br>27K / 1550<br>30K / 1600<br>30m* / 1600<br>35K* / 1600<br>35m* / 1600<br>40K* / 1600   | 277V*<br>HL - Honeycomb Louver<br>SL - Linear Spread<br>SP - Prismatic Spread<br>More Accessories Available |
|         |  |        | Multi-optic<br>15<br>25<br>40  | 27K / 1550<br>30K / 1600<br>35K* / 1600<br>40K* / 1600  |   |
|         |  |        |                                | 27K / 1800<br>30K / 1850<br>30v / 1850<br>35K* / 1850<br>40K* / 1850  |   |
|         |  |        |                                | 27K / 2300<br>30K / 2400<br>35K* / 2400<br>40K* / 2400  |   |
|         |  |        |                                | Trimless Die-cast, Powder Coated<br>WH / TR* - White Cone<br>BK / TR* - Black Cone<br>SV / TR* - Silver Cone<br>BZ / TR* - Bronze Cone  |   |
|         |  |        |                                | Spun Aluminum <i>(downlight only)</i><br>SD / SD - Semi Diffused Cone and Flange<br>CL / CL - Clear Specular Cone and Flange<br>SD / WH - Semi Diffused Cone, White Flange<br>CL / WH - Clear Specular Cone, White Flange<br>DG / DG - Semi Diffused Gold Cone and Flange<br>CG / CG - Clear Gold Cone and Flange<br>DG / WH - Semi Diffused Gold Cone, White Flange<br>CG / WH - Clear Gold Cone, White Flange |   |



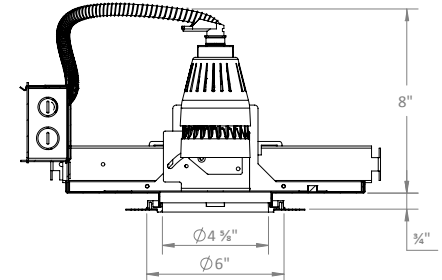
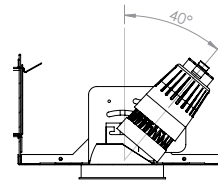
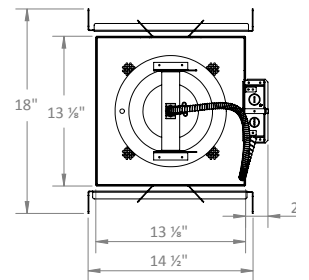
# XR4nc

## MID-HIGH OUTPUT | 4-INCH ROUND RECESSED DOWNLIGHT

| Module      | Module Code |      |                  | Power (Watts) | CBCP (cd) | Standard CRI |
|-------------|-------------|------|------------------|---------------|-----------|--------------|
|             | Beam Angle  | CCT  | Delivered Lumens |               |           |              |
| Xm24 Module | 15c         | 25K* | 1400             | 20            | 3758      | 82           |
|             | 25c         |      |                  |               | 5642      |              |
|             | 40c         |      |                  |               | 2157      |              |
|             | 15c         | 27K  | 1550             |               | 4166      |              |
|             | 25c         |      |                  |               | 6255      |              |
|             | 40c         |      |                  |               | 2391      |              |
|             | 15c         | 30K  | 1600             |               | 4295      |              |
|             | 25c         |      |                  |               | 6448      |              |
|             | 40c         |      |                  |               | 2465      |              |
|             | 15c         | 30m* | ≈1600            |               | 4295      | 90           |
|             | 25c         |      |                  |               | 6448      |              |
|             | 40c         |      |                  |               | 2465      |              |
|             | 15          | 27K  | 1550             | 19            | 17590     | 85           |
|             | 25          |      |                  |               | 5578      |              |
|             | 40          |      |                  |               | 2395      |              |
|             | 15          | 30K  | 1600             |               | 18355     |              |
|             | 25          |      |                  |               | 7405      |              |
|             | 40          |      |                  |               | 2697      |              |
|             | 15          | 27K  | 1800             | 22            | 20296     |              |
|             | 25          |      |                  |               | 6436      |              |
|             | 40          |      |                  |               | 2763      |              |
|             | 15          | 30v* | ≈1850            |               | 17799     |              |
|             | 25          |      |                  |               | 5543      |              |
|             | 40          |      |                  |               | 2856      |              |
|             | 15          | 30K  | 1850             |               | 20935     |              |
|             | 25          |      |                  |               | 7675      |              |
|             | 40          |      |                  |               | 2836      |              |
|             | 15          | 27K  | 2300             | 28            | 25979     |              |
|             | 25          |      |                  |               | 8238      |              |
|             | 40          |      |                  |               | 3537      |              |
| 15          | 30K         | 2400 |                  | 27061         |           |              |
| 25          |             |      |                  | 8581          |           |              |
| 40          |             |      |                  | 3684          |           |              |



**TRIMLESS w/o FLANGE\***  
 Fixture Height: 7 ¼"  
 Max Ceiling Thickness:  
 ⅝" Standard; Other Options\*  
 Ceiling Cut-Out: 6" Diameter  
 Perforated Mesh Frame: Ø 7 ¾"  
 Weight w/o module: 7.45 lb



\*Consult factory for lead time and availability

Note: VioLight and High CRI products will produce up to 20% less measured lumens than their standard CCT equivalent; Although, VioLight product perceived lumens will be noticeably higher than their standard counterparts.



Warranty



IES Files



Dimmers



Accessories



Installation

**WARNING:** Not for use in fully enclosed luminaires. Risk of electric shock. Use in an indoor, dry location only. This device is not intended for use with emergency exit fixtures or emergency exit lights. May not be compatible with all dimmers; please visit [solais.com/dimming](http://solais.com/dimming) for up-to-date dimmer compatibility information.  
**NOTES:** This device complies with Part 15 of the FCC Rule. This product may cause interference with other devices. If interference occurs, change the locations of the products involved. **Compatible on 120v systems.**



LUXIANCÉ™

Luxiance utilizes active cooling to remove heat from the LED system - allowing Solais LED lamps to operate cooler, resulting in superior life, light output, and performance.



THEROTTLE™

Thermal Throttle – In the event that Solais products begin to overheat, they will undetectably dim themselves to protect your technology investments.



X-CHANGEABLE™

X-Changeable is our all-in-one technology that incorporates the optics, LEDs, driver and power within a replaceable module. This allows you to change the lumen output, color temperature, beam angle and trim color with ease.



VIOLIGHT™

VioLight radiates superior quality, enhancing colors in merchandise, making colors more vibrant and offering a truly competitive LED replacement for CMH-like crispness.