

ULTRA PRO™ & ULTRA PRO HD™ LED PAR Lamps



ULTRA PRO & ULTRA PRO HD LED PAR lamps offer extreme energy efficiency, high power factor and beam characteristics that closely match halogen PAR lamps featuring a high center beam candlepower and soft edges. This lamp family offers an extensive selection of lamps with four PAR lamp categories, four color temperatures and four beam angles. For those color critical applications, this offering provides a 90+, as well as an 80+ color rendering index. The high R9 (R9 up to 85) feature enhances warm color palettes and makes whites more crisp, making them ideal for hospitality, healthcare and retail applications. With efficiencies up to 90 lumens per watt, ULTRA PRO and ULTRA HD PRO LED lamps are an ideal part of any energy conservation strategy.

Application Information

Applications

- General lighting
- Recessed downlights
- Track lighting
- Wall washer

Market Segments

- Art galleries
- Hospitality
- Museums
- Offices
- Residential
- Restaurants
- Retail

Key Features & Benefits

- Attractive directional light
- Extensive new portfolio
- CRI: 80+ and 90+
- CCT: 2700K, 3000K, 3500K, 4000K
- Beam angles: 12°, 15°, 25°, 40°
- Dimmable down to 5% on select dimmers*
- Design life: 50,000 hours (L₇₀)**
- Damp rated
- Energy savings up to 86%
- Longer life than traditional halogen lamps
- No warm-up time, instant on with full light output and stable color
- 90+ CRI product offering compliant with "California Quality" specification
- 5 year warranty

* Performance may vary depending on dimmer used in application. Please refer to Dimmer Compatibility List (RETRO-DIM) for a list of compatible dimmers or visit www.sylvania.com/LEDRetrofit

** Rated life: 25,000 hours (L₇₀)

Note: Made-To-Order Products available. Refer to RETRO069R4-MTO for details.



Product Offering

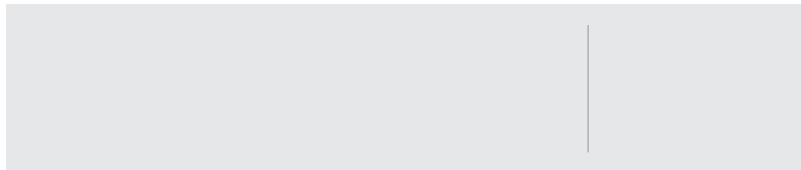
Ordering Abbreviation	Wattage	Beam Angle	Color Temperature	CRI
PAR20 LED	7, 8	15°, 25°, 40°	2700K, 3000K, 3500K, 4000K	80+, 90+
PAR30 LED	10, 11	15°, 25°, 40°	2700K, 3000K, 3500K, 4000K	80+, 90+
PAR30LN LED	13	12°, 15°, 25°, 40°	2700K, 3000K, 3500K, 4000K	80+, 90+
PAR38 LED	17	15°, 25°, 40°	2700K, 3000K, 3500K, 4000K	80+, 90+

Application Notes

1. Operating Temperature: -4°F to 104°F (-20°C to +40°C)
2. Not for use with emergency light fixtures or exit lights
3. Can be used in enclosed fixtures
4. Suitable for use in UL rated fixture where protected from the weather
5. Consult sales representative for alternative heat sink color
6. For lamp warranty information please visit: www.sylvania.com/warranty
7. All PAR lamps from OSRAM SYLVANIA use polymethyl methacrylate (PMMA) for their lenses. It is a transparent thermoplastic often used as a lightweight, shatter-resistant alternative to glass.

This device complies with part 15 of the FCC Rules. Operation is subject to the following two conditions: (1) This device may not cause harmful interference, and (2) this device must accept any interference received, including interference that may cause undesired operation. For FCC Part 15 user information, please see www.sylvania.com/fcc15b





Ordering Information

Item Number	Ordering Abbreviation	Wattage (W)	Replaces	Input Volts	CCT	Typical Lumens	LPW	CBCP	CRI	Beam Angle	R9	Power Factor	ENERGY STAR®
PAR20 CRI 80+													
79024	LED7PAR20/PRO/827/NFL25/P3	7	50W	120	2700K	520	74	2300cd	84	25°	10	0.95	Yes
79025	LED7PAR20/PRO/827/FL40/P3	7	50W	120	2700K	520	74	1100cd	84	40°	10	0.95	Yes
79020	LED7PAR20/PRO/830/NFL25/P3	7	50W	120	3000K	550	79	2550cd	84	25°	5	0.95	Yes
79021	LED7PAR20/PRO/830/FL40/P3	7	50W	120	3000K	550	79	1200cd	84	40°	5	0.95	Yes
79034	LED7PAR20/PRO/835/NFL25/P3	7	50W	120	3500K	575	82	2600cd	84	25°	10	0.95	Yes
79035	LED7PAR20/PRO/835/FL40/P3	7	50W	120	3500K	575	82	1250cd	84	40°	10	0.95	Yes
79028	LED7PAR20/PRO/840/FL40/P3	7	50W	120	4000K	630	90	1275cd	84	40°	10	0.95	Yes
PAR20 CRI 90+													
78997	LED7PAR20/PRO/927/NFL25/P3	7	50W	120	2700K	445	64	2050cd	94	25°	55	0.95	Yes
78998	LED7PAR20/PRO/927/FL40/P3	7	50W	120	2700K	445	64	935cd	94	40°	55	0.95	Yes
79066	LED8PAR20/PRO/930/WSP15/P3	8	50W	120	3000K	470	63	4800cd	92	15°	55	0.95	Yes
79067	LED7PAR20/PRO/930/NFL25/P3	7	50W	120	3000K	470	67	2200cd	94	25°	65	0.95	Yes
79068	LED7PAR20/PRO/930/FL40/P3	7	50W	120	3000K	470	67	1000cd	94	40°	65	0.95	Yes
79062	LED7PAR20/PRO/940/FL40/P3	7	50W	120	4000K	530	76	1070cd	94	40°	75	0.95	Yes
PAR30 CRI 80+													
79003	LED11PAR30/PRO/827/SP12/P3	11	50W	120	2700K	800	65	12500cd	82	12°	10	0.97	Yes
79005	LED10PAR30/PRO/827/NFL25/P3	10	50W	120	2700K	720	72	2850cd	84	25°	10	0.97	Yes
79006	LED10PAR30/PRO/827/FL40/P3	10	50W	120	2700K	720	72	1650cd	84	40°	10	0.97	Yes
79022	LED10PAR30/PRO/830/NFL25/P3	10	50W	120	3000K	785	79	3100cd	84	25°	5	0.97	Yes
78999	LED10PAR30/PRO/830/FL40/P3	10	50W	120	3000K	785	79	1750cd	84	40°	5	0.97	Yes
79031	LED10PAR30/PRO/835/NFL25/P3	10	50W	120	3500K	790	79	3200cd	84	25°	10	0.97	Yes
79032	LED10PAR30/PRO/835/FL40/P3	10	50W	120	3500K	790	79	1850cd	84	40°	10	0.97	Yes
PAR30 CRI 90+													
79050	LED10PAR30/PRO/927/NFL25/P3	10	50W	120	2700K	620	62	2450cd	94	25°	55	0.97	Yes
79051	LED10PAR30/PRO/927/FL40/P3	10	50W	120	2700K	620	62	1400cd	94	40°	55	0.97	Yes
79045	LED11PAR30/PRO/930/WSP15/P3	11	50W	120	3000K	635	61	6500cd	95	15°	85	0.97	Yes
79046	LED10PAR30/PRO/930/NFL25/P3	10	50W	120	3000K	650	65	2500cd	94	25°	65	0.97	Yes
79047	LED10PAR30/PRO/930/FL40/P3	10	50W	120	3000K	650	65	1480cd	94	40°	65	0.97	Yes
PAR30LN CRI 80+													
78713	LED13PAR30LN/PRO/827/SP12/P3	13	75W	120	2700K	930	62	14000cd	82	12°	10	0.97	Yes
78715	LED13PAR30LN/PRO/827/NFL25/P3	13	75W	120	2700K	930	72	4000cd	84	25°	10	0.97	Yes
78716	LED13PAR30LN/PRO/827/FL40/P3	13	75W	120	2700K	930	72	1900cd	84	40°	10	0.97	Yes
79107	LED13PAR30LN/PRO/830/SP12/P3	13	75W	120	3000K	930	68	14300cd	82	12°	15	0.97	Yes
79108	LED13PAR30LN/PRO/830/WSP15/P3	13	75W	120	3000K	1000	77	7200cd	84	15°	5	0.97	Yes
79109	LED13PAR30LN/PRO/830/NFL25/P3	13	75W	120	3000K	1000	77	4500cd	84	25°	5	0.97	Yes
79110	LED13PAR30LN/PRO/830/FL40/P3	13	75W	120	3000K	1000	77	2100cd	84	40°	5	0.97	Yes
78698	LED13PAR30LN/PRO/835/NFL25/P3	13	75W	120	3500K	1050	80	4400cd	84	25°	10	0.97	Yes
78699	LED13PAR30LN/PRO/835/FL40/P3	13	75W	120	3500K	1050	80	2200cd	84	40°	10	0.97	Yes
78709	LED13PAR30LN/PRO/840/NFL25/P3	13	75W	120	4000K	1100	85	4700cd	84	25°	10	0.97	Yes
79710	LED13PAR30LN/PRO/840/FL40/P3	13	75W	120	4000K	1100	85	2300cd	84	40°	10	0.97	Yes
PAR30LN CRI 90+													
79015	LED13PAR30LN/PRO/927/SP12/P3	13	75W	120	2700K	700	53	11000cd	95	12°	85	0.97	Yes
79017	LED13PAR30LN/PRO/927/NFL25/P3	13	75W	120	2700K	810	62	3500cd	94	25°	55	0.97	Yes
79018	LED13PAR30LN/PRO/927/FL40/P3	13	75W	120	2700K	810	62	1675cd	94	40°	55	0.97	Yes
79011	LED13PAR30LN/PRO/930/SP12/P3	13	75W	120	3000K	780	65	11500cd	92	12°	55	0.97	Yes
79012	LED13PAR30LN/PRO/930/WSP15/P3	13	65W	120	3000K	850	65	6100cd	94	15°	65	0.97	Yes
79013	LED13PAR30LN/PRO/930/NFL25/P3	13	75W	120	3000K	850	65	3500cd	94	25°	65	0.97	Yes
79014	LED13PAR30LN/PRO/930/FL40/P3	13	75W	120	3000K	850	65	1780cd	94	40°	65	0.97	Yes
PAR38 CRI 80+													
78456	LED17PAR38/PRO/827/NFL25/P3	17	90W	120	2700K	1150	68	5000cd	84	25°	10	0.97	Yes
78457	LED17PAR38/PRO/827/FL40/P3	17	90W	120	2700K	1150	68	2350cd	84	40°	10	0.97	Yes
78450	LED18PAR38/PRO/830/SP12/P3	18	90W	120	3000K	1275	69	21000cd	82	12°	15	0.97	Yes
78451	LED17PAR38/PRO/830/WSP15/P3	17	90W	120	3000K	1275	75	8750cd	84	15°	5	0.97	Yes
78452	LED17PAR38/PRO/830/NFL25/P3	17	90W	120	3000K	1275	75	5500cd	84	25°	5	0.97	Yes
78453	LED17PAR38/PRO/830/FL40/P3	17	90W	120	3000K	1275	75	2630cd	84	40°	5	0.97	Yes
78476	LED18PAR38/PRO/835/SP12/P3	18	90W	120	3500K	1275	71	19000cd	82	12°	15	0.97	Yes
78478	LED17PAR38/PRO/835/NFL25/P3	17	90W	120	3500K	1300	76	5600cd	84	25°	10	0.97	Yes
78479	LED17PAR38/PRO/835/FL40/P3	17	90W	120	3500K	1300	76	2670cd	84	40°	10	0.97	Yes
78460	LED17PAR38/PRO/840/NFL25/P3	17	90W	120	4000K	1400	82	5720cd	84	25°	10	0.97	Yes
78461	LED17PAR38/PRO/840/FL40/P3	17	90W	120	4000K	1400	82	2800cd	84	40°	10	0.97	Yes
PAR38 CRI 90+													
78466	LED18PAR38/PRO/927/SP12/P3	18	90W	120	2700K	1020	54	16000cd	95	12°	85	0.97	Yes
78467	LED17PAR38/PRO/927/WSP15/P3	17	75W	120	2700K	1020	60	7000cd	94	15°	55	0.97	Yes
78468	LED17PAR38/PRO/927/NFL25/P3	17	90W	120	2700K	1020	60	4400cd	94	25°	55	0.97	Yes
78469	LED17PAR38/PRO/927/FL40/P3	17	90W	120	2700K	1020	60	2080cd	94	40°	55	0.97	Yes
78462	LED18PAR38/PRO/930/SP12/P3	18	90W	120	3000K	1050	65	16000cd	92	12°	55	0.97	Yes
78463	LED17PAR38/PRO/930/WSP15/P3	17	75W	120	3000K	1050	62	7400cd	94	15°	65	0.97	Yes
78464	LED17PAR38/PRO/930/NFL25/P3	17	90W	120	3000K	1050	62	4600cd	94	25°	65	0.97	Yes
78465	LED17PAR38/PRO/930/FL40/P3	17	90W	120	3000K	1050	62	2150cd	94	40°	65	0.97	Yes
78481	LED17PAR38/PRO/935/WSP15/P3	17	90W	120	3500K	1075	63	7700cd	94	15°	65	0.97	Yes
78482	LED17PAR38/PRO/935/NFL25/P3	17	90W	120	3500K	1075	63	4700cd	94	25°	65	0.97	Yes
78483	LED17PAR38/PRO/935/FL40/P3	17	90W	120	3500K	1075	63	2310cd	94	40°	65	0.97	Yes

* Additional beam angles and color temperatures available as made-to-order.

Ordering Guide

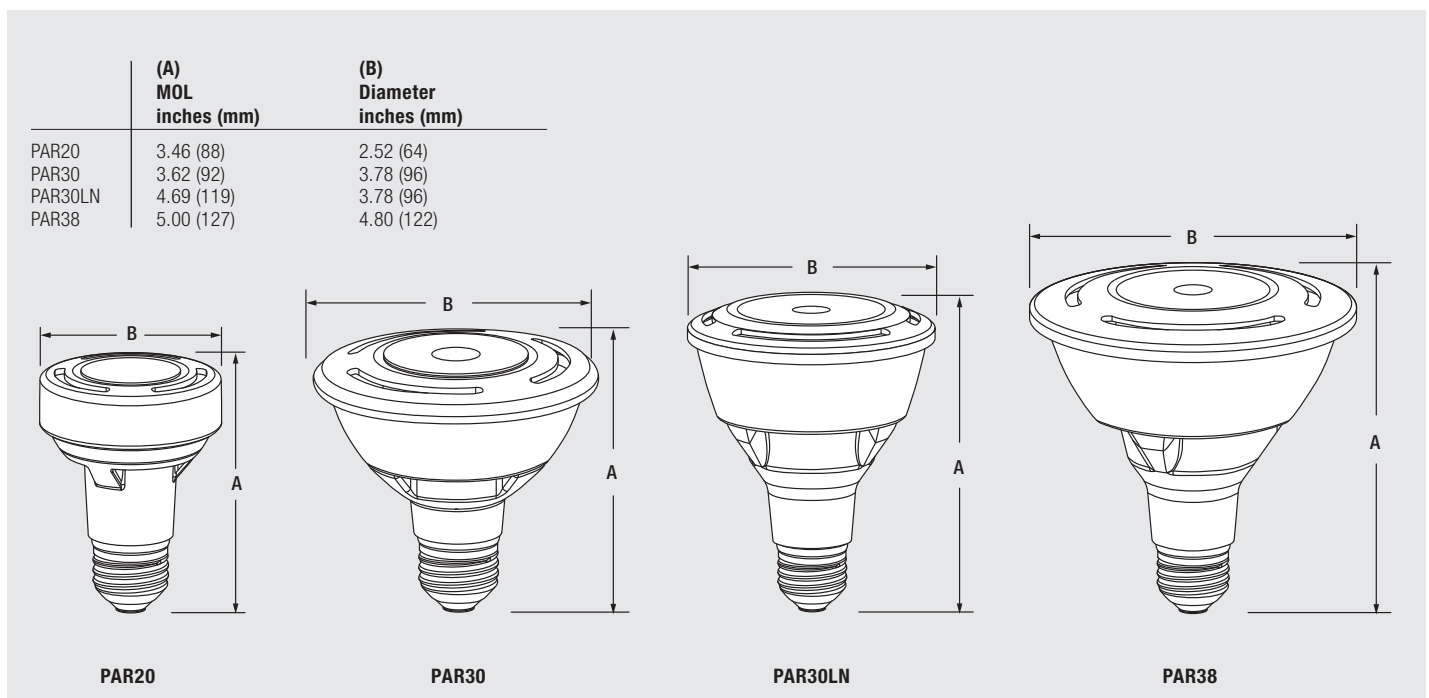
LED	17	PAR38	/	PRO	/	827	/	FL	40	/	P3
LED Lamps	Wattage: 7, 8, 10, 11, 13, 17, 18	Lamp type: PAR38, PAR30LN, PAR30, PAR20	/	Professional Series	/	CRI=80 Color Temp. 2700K 3000K 3500K 4000K	/	Flood	Beam Angle	/	PRO 3

Energy Savings

Product Description	LED Life (hrs.)	Similar Halogen	Halogen Lumens	Watts Saved	Energy Savings*	Energy Savings per Year	LED Life vs. Incandescent
LED7PAR20	50,000	50W PAR20	460	43	\$236.50	\$24.10	33X
LED8PAR20	50,000	50W PAR20	460	42	\$231.00	\$23.60	33X
LED10PAR30	50,000	50W PAR30	660	40	\$220.00	\$22.48	33X
LED11PAR30	50,000	50W PAR30	660	39	\$214.50	\$21.92	33X
LED13PAR30LN	50,000	75W PAR30LN	1130	62	\$341.00	\$34.85	33X
LED17PAR38	50,000	90W PAR38	1310	73	\$401.50	\$41.03	33X
LED18PAR38	50,000	90W PAR38	1310	72	\$396.00	\$40.47	33X

*Energy savings over life of lamp calculated at \$0.11/kWh at 50,000 hours

Lamp Dimensions



LEDVANCE LLC
200 Ballardvale Street
Wilmington, MA 01887 USA
Phone 1-800-LIGHTBULB (1-800-544-4828)
www.sylvania.com

SYLVANIA and LEDVANCE are registered trademarks.
All other trademarks are those of their respective owners.
Product Licensee of Trademark SYLVANIA in General Lighting.
Specifications subject to change without notice.

[/sylvania](#) [/sylvania](#)

