

# QUICKTRONIC® T8 Instant Start Universal Voltage Systems



Lamp Striation Control  
High Ballast Factor

## High Efficiency Series

QHE T8 ISH

### Lamp / Ballast Guide

32W T8 - OCTRON® lamps  
4-lamp QHE4x32T8/UNV ISH

Also operates:

FB032, FB031, F030/SS (30W),  
FB030/SS (30W), FB029/SS (29W),  
F028/SS (28W), F025/SS (25W),  
F025 (25W) & F017 (17W)

### Key System Features

- High Efficiency Systems over 90% efficient
- Lamp Striation Control (LSC)
- Over 100 LPW (lumens/watt) with OCTRON SUPERSAVER® lamps
- Lowest power T8 PLUS Systems
- Universal voltage (120-277V)
- 1.16-1.20 ballast factor
- 30-50% Energy savings
- Min. Starting Temp:
  - -20°F(-29°C) for T8 lamps
  - 60°F (16°C) for Energy Saving T8 lamps
- <10% THD
- Virtually eliminates lamp flicker
- RoHS compliant
- Lead-free solder and manufacturing process

### Application Information

#### SYLVANIA QUICKTRONIC High Efficiency ballasts

are ideally suited for:

- Any applications where the highest light output for the lowest amount of power T8 systems are needed for maximum energy savings
- Energy Retrofits
- Commercial & Retail
- Hospitality & Institutional
- New Construction

SYLVANIA QUICKTRONIC High Efficiency (QHE) energy-saving electronic T8 ISH (PLUS) ballasts offer several advantages:

1. Same Light, Less Power!
  - Up to 6% in energy savings compared to standard T8 low power electronic ballasts without compromising light output
  - Maximum energy savings when compared to F40T12 magnetically ballasted systems
2. High Light Output:
  - Higher lumens per fixture
  - Fewer fixtures required for same light output
3. Parallel Circuitry: keeps remaining lamps lit if one or more go out.
4. Lamp Striation Control (LSC): T8 energy saving lamps should be operated above 60°F, but under certain conditions the lamps may striate. LSC circuitry may minimize or eliminate this condition; however there are limited applications where LSC circuitry may not entirely mitigate lamp striations

### System Information

SYLVANIA QUICKTRONIC High Efficiency (QHE) System advantages:

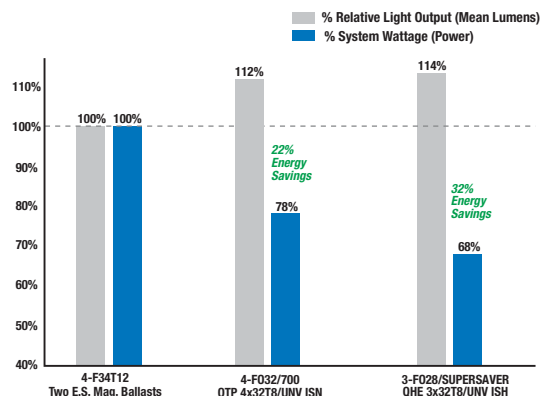
- Operate from 120V through 277V
  - Eliminates "wrong voltage" errors
  - Reduces inventory by 50%
- Utilizes Instant Start operation for
  - Highest System Efficacy
  - Low temperature starting capability
- Very low harmonic distortion (<10%) THD
- Operate at >42 kHz to reduce potential interference with infrared control systems



These ballasts are also RoHS compliant and feature lead-free solder and manufacturing process.

SYLVANIA QUICKTRONIC High Efficiency (QHE) systems are covered by the QUICK 60+® warranty, the first and most comprehensive lamp & ballast system warranty in the industry.

System Type	Input Power (W)	Initial System Lumens	System Efficacy LPW	Mean System Lumens	Relative Mean Light Output	Energy Savings
4:F34T12 - Two E.S. Magnetic Ballasts	144	9330	65	7930	Baseline	Baseline
4:F032T8/700 - QTP4x32T8/UNV-ISH-SC	112	9860	89	8870	112%	22%
3:F032/XP - QHE3x32T8/UNV-ISH-SC	111/109	10620	96/97	9985	126%	23%
3:F028/SS - QHE3x32T8/UNV-ISH-SC	98/96	9650	98/101	9070	114%	32%



## High Ballast Factor

# T8 Instant Start

## High Efficiency

### Performance Guide

Data based upon SYLVANIA OCTRON® lamps shown. QUICKTRONIC® QHE Instant Start ballasts are also compatible with other lamp manufacturers equivalent lamp types that meet ANSI specifications.

QHE Instant Start ballasts will operate F32 (and the SUPERSAVER® & U-Bend equivalent) T8 lamps.

### Specifications

Data based on F32T8

**Starting Method:** Instant Start  
**Ballast Factor:** 1.16-1.20  
**Circuit Type:** Parallel  
**Lamp Frequency:** >42 kHz  
**Lamp CCF:** Less than 1.7  
**Starting Temp:<sup>2</sup>**  
 -20°F (-29°C) for OCTRON T8 lamps;  
 60°F (16°C) for SUPERSAVER® T8 lamps  
**Input Frequency:** 50/60 Hz  
**Low THD:** <10%  
**Power Factor:** >98%  
**Voltage Range:** ±10% of 120-277V  
 rated line (108-305V)

UL Listed Class P, Type 1 Outdoor  
 CSA Certified  
 70°C Max Case Temperature  
 FCC 47CFR Part 18 Non-Consumer  
 Class A Sound Rating  
 RoHS Compliant<sup>3</sup>  
 ANSI C62.41 Cat. A Transient Protection  
 Emergency ballast compatible  
 Remote Mounting (Max. wire length from ballast case to lampholder):

- 20 ft: full wattage T8s
- 10 ft: energy saving T8s
- 4 ft: 25W energy saving T8s

<sup>2</sup> Operation below 50°F (10°C) may affect light output or lamp operation – see “Low Temp. Starting” definition.

<sup>3</sup> Complies with European Union Restriction of Hazardous Substances Directive (Directive EC 2002/95)

### System Life / Warranty

QUICKTRONIC products are covered by the QUICK 60+® warranty, a comprehensive lamp and ballast system warranty. For additional details, refer to the QUICK 60+ warranty bulletin.

**OSRAM SYLVANIA**  
**National Customer**  
**Service and Sales Center**  
 1-800-LIGHTBULB  
 (1-800-544-4828)  
[www.sylvania.com](http://www.sylvania.com)

 the system solution®

QHE T8 ISH

### SPECIFICATION DATA

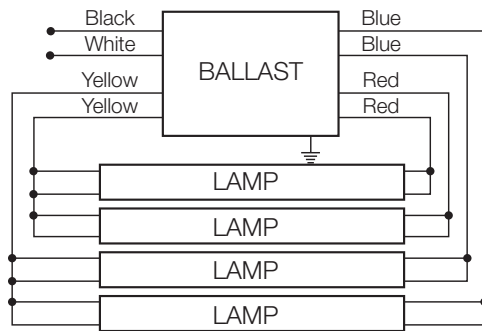
Catalog #	Date	Type
Project	Prepared by	
Comments		

## High Efficiency Universal Voltage (120-277V), Lamp Striation Control



Item Number	OSRAM SYLVANIA Description	Input Current (AMPS)	Lamp Type	Rated Lumens (lm)	No. of Lamps	Ballast Factor (BF)	System Lumens	Mean Lumens	Input Power (W)	System Efficacy (lm/W)	BEF <sup>1</sup>
51347  Replaces 49877 49922	QHE4X32T8/UNV ISH-SC 10-Pack	1.24/0.53	F032/700	2800	4	1.16	12,990	11,950	145/144	82/83	0.80
		1.24/0.53	F032/XP/XL	2950	4	1.16	13,690	13,140	145/144	90/91	0.80
		1.24/0.53	F032/XP	3000	4	1.16	13,920	13,085	145/144	90/91	0.80
		1.01/0.44	F030/XP/SS	2850	4	1.16	13,225	12,430	135/133	92/93	0.86
		0.98/0.42	F028/XP/XL/SS	2600	4	1.16	12,065	11,460	127/124	90/92	0.91
		0.98/0.42	F028/XP/SS	2725	4	1.16	12,645	11,885	127/124	94/96	0.91
		0.91/0.40	F025/XP/SS	2500	4	1.16	11,600	10,905	108/109	101/100	1.07
		0.92/0.40	F025/XPS	2200	4	1.19	10,470	9845	109/109	96	1.09
0.64/0.29	F017/XPS	1400	4	1.20	6720	6315	77/77	87	1.56		

<sup>1</sup> Ballast Efficiency Factor (BEF) shown = (Ballast Factor x 100) divided by Input Power (Note: calculation based on lowest wattage value).



**QUICKTRONIC 4x32**

#### Dimensions “-SC” Small Enclosure:

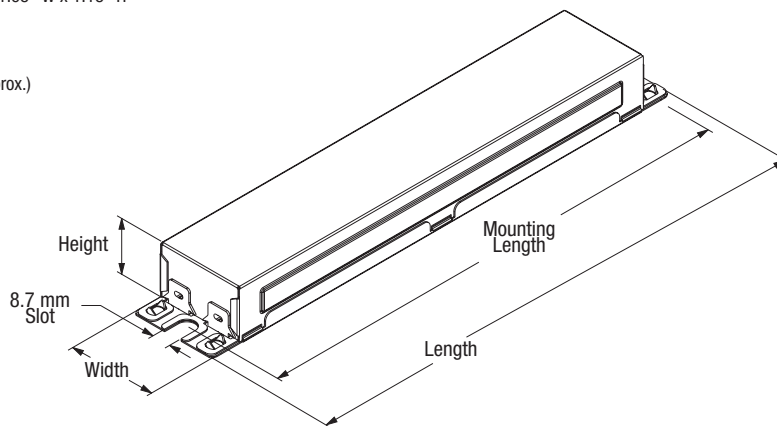
Overall: 9.5" L x 1.68" W x 1.18" H  
 Mounting: 8.90"

#### Product Weight:

1.6 lbs each (approx.)

#### Wiring:

Leads only



Item Number ————— 51347 QHE 4 x 32T8 / UNV ISH - SC ————— Case Size  
 QUICKTRONIC High Efficiency ————— Starting/Ballast Factor  
 Number of Lamps ————— Line Voltage (120-277V)  
 ————— Primary Lamp Wattage