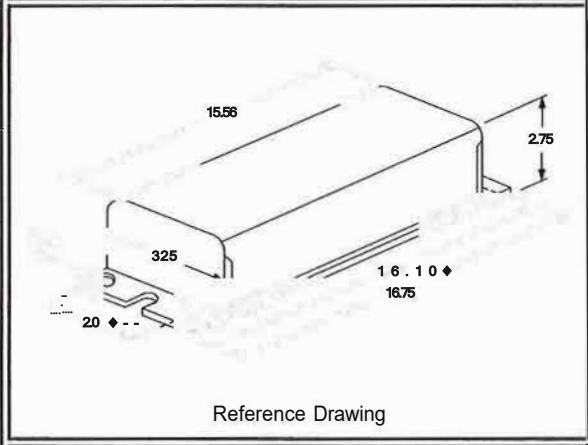
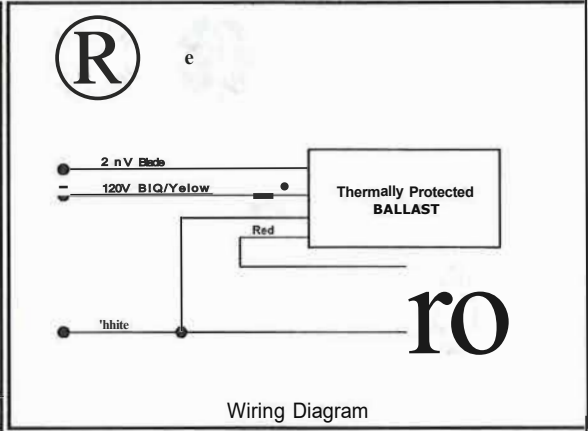


Specification Sheet

Input Volts	120	277			
Regulation					
Line Volts	±10%	±10%			
Lamp Watts	±10%	±10%			
Power Factor (min)	90%	90%			
Input Watts	295W	295W			
NOM. Open Circuit Voltage	280V	280V			
Line Current (Amps)					
Operating	2.50	1.10			
Open Circuit	1.65	0.70			
Starting	1.90	0.80			
Recommended Fuse (Amps)	8	4			
Lamp Dropout Voltage (Line)	75V	170V			
Ratings					
Insulation Class	H (180°C)	H (180 °C)			
Sound Rating	C	C			
MIN. Starting Temperature	-22F -30C	-22F -30C			
CAPACITOR Specifications					
Microfarads	-	-			
Volts (min.)	-	-			
60Hz Test Procedures					
High Potential Test 1 Minute	2000V	2000V			
High Potential Test 1 Second	2500V	2500 V			
Secondary Open Ckt Voltage (M)	250-310	250 -310			
Secondary Current Shorted (A)	2.15-2.65	2.15-2.65			
Input Operating Current (A)	2.25-2.75	1.00 -1.20			
Input Open Circuit Current (A)	0.80-2.40	0.35-1.10			
Input Short Circuit Current (A)	1.35-2.30	0.55-1.00			
Physical Characteristics					
Weight	180 lbs	180 lbs			
Lead Lengths (inches)	12-14	12-14			
Coil Material (Pri. / Sec.):	Cu/Cu	Cu/Cu			



Capacitor: Internal Ignitor: None

Insulate unused input lead with proper electrical insulation

Anchor bracket / tab provided for splice box SB-4 (not included)

Document#:	010-12796-00
Date:	3/5/2008
Status:	Production
Replaces Catalog #:	New Design

Data is based upon tests performed by Universal Lighting Technologies in a controlled environment and is representative of relative performance. Actual performance may vary depending on operating conditions. Specifications are subject to change without notice.