

1110-247SC-TC

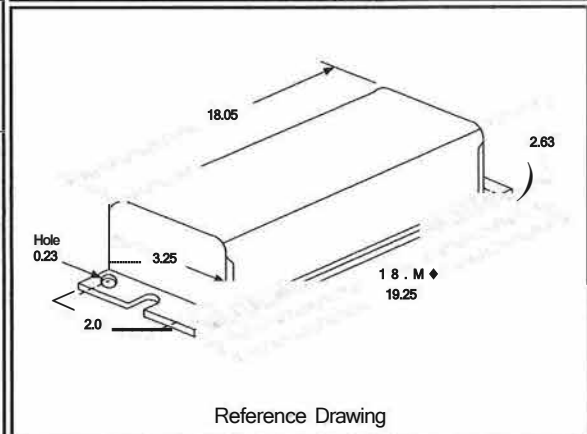
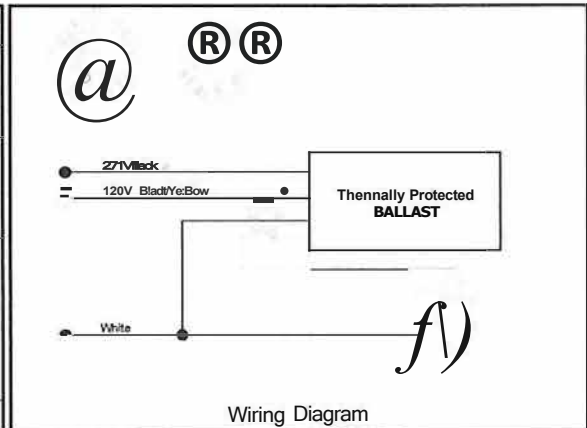
400W M59

Metal Halide

60Hz CWA

Specification Sheet

Input Volts	120	277			
Regulation					
Line Volts	±10%	±10%			
Lamp Watts	±10%	±10%			
Power Factor (min)	90%	90%			
Input Watts	463W	463W			
NOM. Open Circuit Voltage	300V	300V			
Line Current (Amps)					
Operating	3.90	1.70			
Open Circuit	4.00	1.75			
Starting	2.30	1.00			
Recommended Fuse (Amps)	10	5			
Lamp Dropout Voltage (line)	65V	150V			
Ratings					
Insulation Class	A c1os-ci	A c1os-ci			
Sound Rating	C	C			
MIN. Starting Temperature	-22°F -30°C	-22°F -30°C			
CAPACITOR Specifications					
Microfarads	-	-			
Volts (min.)	-	-			
60Hz Test Procedures					
High Potential Test 1 Minute	2000V	2000V			
High Potential Test 1 Second	2500V	2500V			
Secondary Open Ckt Voltage M	270-330	270-330			
Secondary Current Shorted (A)	3.35-4.25	3.35-4.25			
Input Operating Current (A)	3.50-4.30	1.50-1.90			
Input Open Circuit Current (A)	2.00-5.70	0.65-2.50			
Input Short Circuit Current (A)	1.65-2.80	0.65-1.15			
Physical Characteristics					
Weight	22.0 lbs	22.0 lbs			
Lead Lengths (inches)	12-14	12-14			
Coil Material (Pri. / Sec.):	Cu/Cu	Cu/Cu			



Capacitor: Internal

Ignitor: None

Insulate unused input leads
with proper electrical insulation

Anchor bracket / tab
provided for splice box
SB-4 (not included)

Document#: 010-12798-00
Date: 6/17/2008
Status: Production
Replaces Catalog #: New Design

Data is based upon tests performed by Universal lighting Technologies in a controlled environment and is representative of relative performance. Actual performance may vary depending on operating conditions. Specifications are subject to change without notice.

Universal Lighting Technologies

26 Century Blvd. Suite 500 - Nashville, TN 37214

Phone 1-800-225-5278 Fax 1-800-206-0035

www.unvlt.com