

# M150MLTLC3M

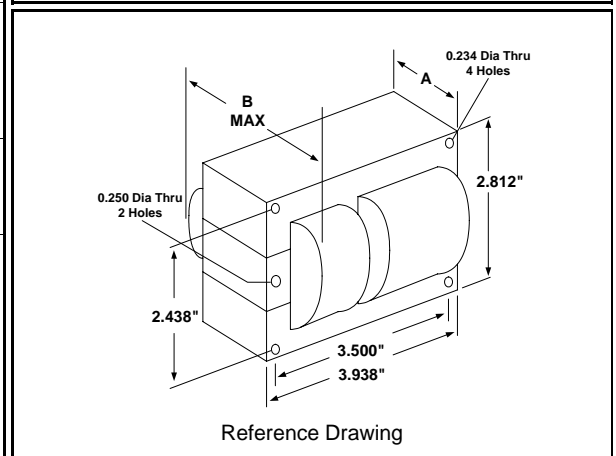
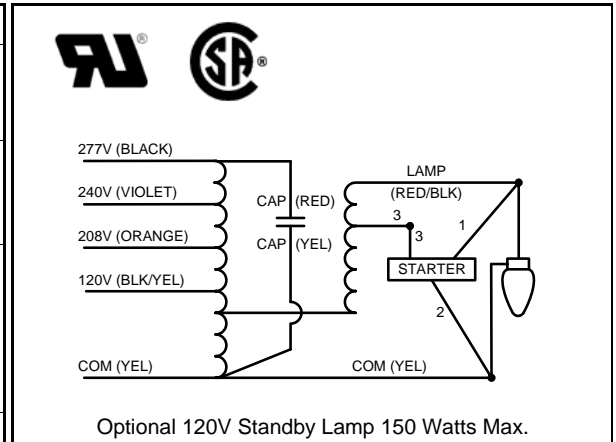
150W M102 / M142

Metal Halide

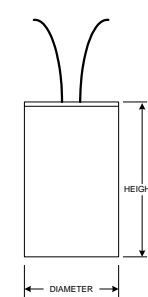
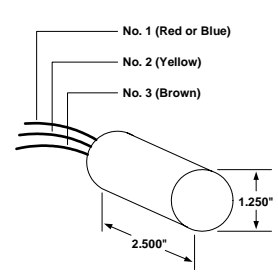
60Hz HX-HPF

## Specification Sheet

<b>Input Volts</b>	120	208	240	277
<b>Regulation</b>				
Line Volts	±5%	±5%	±5%	±5%
Lamp Watts	±10%	±10%	±10%	±10%
Power Factor (min)	90%	90%	90%	90%
Input Watts	185 W	185 W	185 W	185 W
NOM. Open Circuit Voltage	260 V	260 V	260 V	260 V
<b>Line Current (Amps)</b>				
Operating	1.60	0.95	0.80	0.70
Open Circuit	3.40	1.95	1.70	1.50
Starting	1.60	0.95	0.80	0.70
Recommended Fuse (Amps)	10	5	5	4
Lamp Dropout Voltage (Line)	90 V	160 V	185 V	210 V
<b>UL Temperature Ratings</b>				
Insulation Class	H (180°C)	H (180°C)	H (180°C)	H (180°C)
Temperature Code	A	A	A	A
MIN. Starting Temperature	-22°F -30°C	-22°F -30°C	-22°F -30°C	-22°F -30°C
<b>CAPACITOR Specifications</b>				
Microfarads	16 uf	16 uf	16 uf	16 uf
Volts (min.)	280 V	280 V	280 V	280 V
<b>60Hz Test Procedures</b>				
High Potential Test 1 Minute	2000 V	2000 V	2000 V	2000 V
High Potential Test 1 Second	2500 V	2500 V	2500 V	2500 V
Secondary Open Ckt Voltage (V)	230 - 290	230 - 290	230 - 290	230 - 290
Secondary Current Shorted (A)	2.00 - 2.50	2.00 - 2.50	2.00 - 2.50	2.00 - 2.50
Input Operating Current (A)	1.50 - 1.90	0.85 - 1.10	0.75 - 0.95	0.65 - 0.85
Input Open Circuit Current (A)	1.70 - 5.00	0.95 - 2.90	0.85 - 2.50	0.70 - 2.15
Input Short Circuit Current (A)	1.20 - 2.10	0.65 - 1.20	0.60 - 1.05	0.50 - 0.90
<b>Core and Coil Specifications</b>				
Dimension A	2.38 in	2.38 in	2.38 in	2.38 in
Dimension B	3.70 in	3.70 in	3.70 in	3.70 in
Weight	7.00 lbs	7.00 lbs	7.00 lbs	7.00 lbs
Lead Lengths (inches)	12-14	12-14	12-14	12-14
Coil Material (Pri. / Sec.):	Cu / Al	Cu / Al	Cu / Al	Cu / Al



<b>Capacitor: R17058522</b>	<b>Ignitor: MH100-3A</b>
Max Case Temp: 100 °C	Max Case Temp 105 °C
Height: 2.83 in	BTL: 10 ft
Width / Diameter: 1.65 in	

Oil Cap. - P/N 005-1498-MF Consult Catalog for Specs.

Document #:	010-12664-04
Date:	12/2/2010
Status:	Production
Replaces Catalog #:	New Design

Data is based upon tests performed by Universal Lighting Technologies in a controlled environment and is representative of relative performance. Actual performance may vary depending on operating conditions. Specifications are subject to change without notice.

**Universal Lighting Technologies**

26 Century Blvd. Suite 500 - Nashville, TN 37214

Phone 1-800-225-5278 Fax 1-800-206-0035

www.unvlt.com

12/2/2010