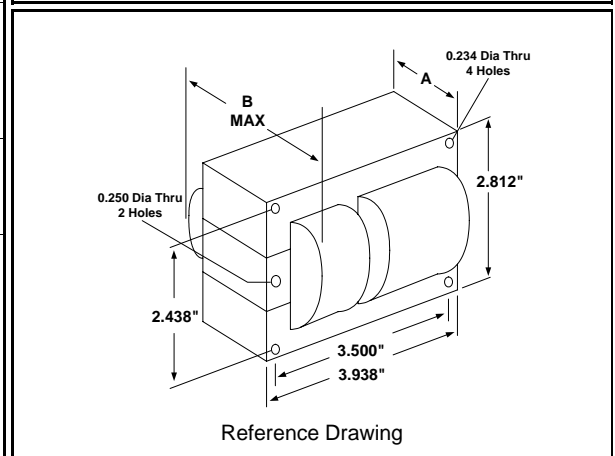
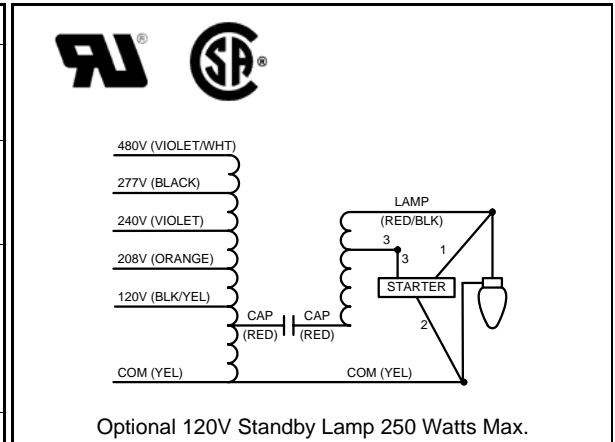


Specification Sheet

| | | | | | |
|-------------------------------------|-------------|-------------|-------------|-------------|-------------|
| Input Volts | 120 | 208 | 240 | 277 | 480 |
| Regulation | | | | | |
| Line Volts | ±10% | ±10% | ±10% | ±10% | ±10% |
| Lamp Watts | ±10% | ±10% | ±10% | ±10% | ±10% |
| Power Factor (min) | 90% | 90% | 90% | 90% | 90% |
| Input Watts | 233 W | 233 W | 233 W | 233 W | 233 W |
| NOM. Open Circuit Voltage | 303 V | 303 V | 303 V | 303 V | 303 V |
| Line Current (Amps) | | | | | |
| Operating | 2.08 | 1.16 | 1.00 | 0.88 | 0.50 |
| Open Circuit | 2.66 | 1.52 | 1.31 | 1.12 | 0.68 |
| Starting | 0.76 | 0.50 | 0.40 | 0.35 | 0.25 |
| Recommended Fuse (Amps) | 6 | 4 | 3 | 3 | 2 |
| Lamp Dropout Voltage (Line) | 55 V | 86 V | 105 V | 130 V | 220 V |
| UL Temperature Ratings | | | | | |
| Insulation Class | H (180°C) | H (180°C) | H (180°C) | H (180°C) | H (180°C) |
| Temperature Code | C | C | C | C | C |
| MIN. Starting Temperature | -22°F -30°C | -22°F -30°C | -22°F -30°C | -22°F -30°C | -22°F -30°C |
| CAPACITOR Specifications | | | | | |
| Microfarads | 11 uf | 11 uf | 11 uf | 11 uf | 11 uf |
| Volts (min.) | 400 V | 400 V | 400 V | 400 V | 400 V |
| 60Hz Test Procedures | | | | | |
| High Potential Test 1 Minute | 2000 V | 2000 V | 2000 V | 2000 V | 2000 V |
| High Potential Test 1 Second | 2500 V | 2500 V | 2500 V | 2500 V | 2500 V |
| Secondary Open Ckt Voltage (V) | 285 - 321 | 285 - 321 | 285 - 321 | 285 - 321 | 285 - 321 |
| Secondary Current Shorted (A) | 1.70 - 2.08 | 1.70 - 2.08 | 1.70 - 2.08 | 1.70 - 2.08 | 1.70 - 2.08 |
| Input Operating Current (A) | 1.89 - 2.31 | 1.06 - 1.29 | 0.91 - 1.11 | 0.80 - 0.98 | 0.46 - 0.56 |
| Input Open Circuit Current (A) | 1.33 - 3.80 | 0.76 - 2.17 | 0.66 - 1.87 | 0.56 - 1.60 | 0.34 - 0.97 |
| Input Short Circuit Current (A) | 0.44 - 0.68 | 0.30 - 0.45 | 0.28 - 0.42 | 0.26 - 0.40 | 0.25 - 0.38 |
| Core and Coil Specifications | | | | | |
| Dimension A | 2.75 in | 2.75 in | 2.75 in | 2.75 in | 2.75 in |
| Dimension B | 4.30 in | 4.30 in | 4.30 in | 4.30 in | 4.30 in |
| Weight | 8.0 lbs | 8.0 lbs | 8.0 lbs | 8.0 lbs | 8.0 lbs |
| Lead Lengths (inches) | 12-14 | 12-14 | 12-14 | 12-14 | 12-14 |
| Coil Material (Pri. / Sec.): | Cu / Cu | Cu / Cu | Cu / Cu | Cu / Cu | Cu / Cu |



| | |
|-----------------------------|--------------------------|
| Capacitor: R17058558 | Ignitor: MH350-1A |
| Max Case Temp: 100 °C | Max Case Temp 105 °C |
| Height: 2.83 in | BTL: 10 ft |
| Width / Diameter: 1.65 in | |

For alternate capacitor construction consult sales

| | |
|---------------------|--------------|
| Document #: | 010-10320-05 |
| Date: | 11/5/2010 |
| Status: | Production |
| Replaces Catalog #: | New Design |

Data is based upon tests performed by Universal Lighting Technologies in a controlled environment and is representative of relative performance. Actual performance may vary depending on operating conditions. Specifications are subject to change without notice.